

Amana Bottom Freezer Refrigerator Owner's Manual

English	2
Español	24
Français	48

Keep these instructions for future reference. Be sure this manual stays with refrigerator.



As an Energy Star® Partner, Amana® has determined that this product* meets the Energy Star® guidelines for energy efficiency.

* Energy Star® applies to some models. Qualifying models are designated with the Energy Star® logo located on the product.

Contents

Parts and Accesories 2

Electrical Requirements 2

Model Identification 2

Service 2

Asure™ Extended Service Plan 3

Proper Disposal of Your Refrigerator 3

Space Requirements 3

Instructions for Swing Door Models 4

 To Remove Doors and Hinges 4

 To Reverse Doors 4

 To Replace Doors 5

Instructions for Pullout Freezer Drawer Models 6

 To Remove Refrigerator Door and Hinges 6

 To Reverse Refrigerator Door 6

 To Replace Refrigerator Door 7

 To Remove and Replace Freezer Pullout Drawer 7

Connect Ice Maker Water Supply Line (some models) 9

Leveling Refrigerator 10

 Swing Door Models 10

 Pullout Freezer Drawer Models 10

Installation Checklist 11

Controls 12

 Fresh Food and Freezer Controls 12

 Setting Controls 12

Fresh Food Features 12

 Fresh Food Shelves 12

 Beverage Organizer 12

 Adjustable Deli Drawer™ (some models) 13

 Garden Fresh™ Crisper 13

 Chiller Fresh™ System (some models) 13

 Storage Rack (some models) 14

 Covered Storage Bucket (some models) 14

 Dairy Center (some models) 14

 Door Buckets 15

 Tall Package Retainer 15

 Door Shelves 15

 Adjustable Divider (some models) 15

 Bottle Holder 15

Freezer Features 16

 Frost-Free System 16

 Automatic Ice Maker (some models) 16

 Ice Service Rack (some models) 16

 Slideout Shelf (some models) 16

 Vertical Shelf Divider (some models) 16

 Fixed Wire Shelf (some models) 16

 Wire Basket (some models) 17

 Ice Bin (some models) 17

 Vertical Basket Divider 17

 Tilt-Out Bin (some models) 17

 Pullout Drawer Baskets (some models) 17

 Ice Shield (some models) 17

Care and Cleaning 18

 General Cleaning 18

 Stainless Steel Cleaning 18

 Adhesives 18

 Door Gaskets 18

 Condenser Coils 18

 Glass Shelves 18

 Odor Removal 18

 Light Bulb Replacement 18

Vacation Tips 19

Energy Tips 19

Normal Operating Sounds 20

Before Calling For Service 21

Warranty 23

Español 24

Français 48

Note: Translation may sometimes cause variations in meaning. In all cases where meaning varies, the most accurate meaning will be the English version of this document.



Recognize this symbol as a safety precaution.

Parts and Accessories

Purchase replacement parts and additional accessories (e.g. refrigerator shelves) over the phone. To order accessories for your product, call **1-800-843-0304** inside U.S.A. or **319-622-5511** outside U.S.A., or contact us on the internet at www.amana.com.

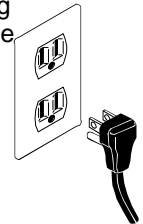
Electrical Requirements

WARNING

To avoid electrical shock which can cause severe personal injury or death do not cut or remove the round grounding prong from the plug. Refrigerator must be grounded at all times. Do not remove warning tag from power cord.

Do not use a two-prong adapter. Do not use an extension cord.

This refrigerator is equipped with a three-prong (grounding) plug for protection against possible shock hazards. If a two-prong wall receptacle is encountered, contact a qualified electrician and have the two-prong wall receptacle replaced with a properly grounded three-prong wall receptacle in accordance with the National Electrical Code.



Refrigerator is designed to operate on a separate 103 to 126 volt, 15 amp., 60 cycle line.

Model Identification

Thank you for purchasing this Amana® refrigerator. Please read this Owner's Manual thoroughly. This manual provides proper maintenance information. Any questions, call the Consumer Affairs Department at **1-800-843-0304** inside U.S.A. and **1-319-622-5511** outside the U.S.A., or contact us on the internet at www.amana.com.

Complete registration card and promptly return. If registration card is missing, call the Consumer Affairs Department.

When contacting Amana , provide product information. Product information is on the serial plate, located on the ceiling of fresh food section. Record the following information.

Model Number: _____

Manufacturing Number: _____

S/N or Serial Number: _____

Date of Purchase: _____

Dealer's name and address: _____

Service

Keep a copy of sales receipt for future reference or in case warranty service is required. Any questions or to locate an authorized servicer, call 1-800-NAT-LSVC (1-800-628-5782) inside U.S.A. 319-622-5511 outside U.S.A. Warranty service must be performed by an authorized servicer. Amana also recommends contacting an authorized servicer if service is required after warranty expires.

Asure™ Extended Service Plan

Amana offers long-term service protection for this new refrigerator. Asure™ Extended Service Plan is specially designed to supplement Amana's strong warranty. This plan covers functional parts, labor, and travel charges. Call **1-800-528-2682**, or contact us on the internet at www.amana.com, for information.



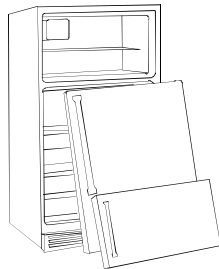
DANGER

Proper Disposal of Your Refrigerator

IMPORTANT: Child entrapment and suffocation are not problems of the past. Junked or abandoned refrigerators are still dangerous-- even if they will sit for "just a few days." If you discard an old refrigerator, please follow the instructions below to help prevent accidents.

BEFORE YOU THROW AWAY YOUR OLD REFRIGERATOR OR FREEZER:

- Take off the doors.
- Leave the shelves in place so that children may not easily climb inside.



Space Requirements



WARNING

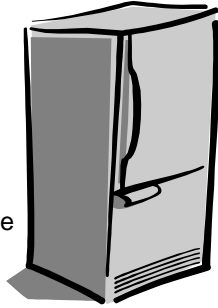
Keep flammable materials and vapors, such as gasoline, away from refrigerator. Failure to do so can result in death, explosion, fire, or burns.

- To ensure proper ventilation for your refrigerator, allow for a 1"(2.5 cm) for 33" wide models, or ½"(1.3 cm) for 30" wide models, at the top of your refrigerator.
- If your refrigerator has an ice maker, make sure you leave some extra space at the back to allow for the water line connection. The refrigerator can be flush with the back wall if you do not have an ice maker installed.
- If you are installing your refrigerator next to a fixed wall, leave 2 ½" minimum on hinge side (depending on your model) to allow for the door to swing open 90°.

NOTE: Do not install the refrigerator near an oven, radiator, or other heat source. Do not install the refrigerator in a location where the temperature will fall below 55°F (13° C).

Instructions for Swing Door Models

Proper installation will ensure this refrigerator operates most efficiently. Amana cannot be held responsible for improper installation.



Service Notice:

Contour Door Models Only

Only a qualified servicer can reverse this door. To have door reversed, please call **1-800-843-0304**. There is a fee for this service.

Tools Required

Putty knife	$\frac{5}{16}$ " hex nut driver
Masking tape	$\frac{1}{4}$ " hex nut driver
$\frac{3}{8}$ " hex nut driver	Phillips screwdriver

IMPORTANT:

- Save all screws for reuse.
- For plug removal requiring use of flat blade screwdriver or putty knife, **blade of tool must be covered with masking tape to avoid damage to refrigerator finish.** For plugs using a screwdriver or nut driver style head, use appropriate tool to avoid damage to plugs.

To Remove Doors and Hinges

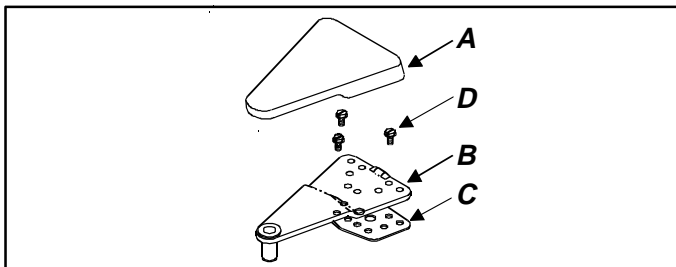
Some installations may require door and hinge removal to transport unit to final location.



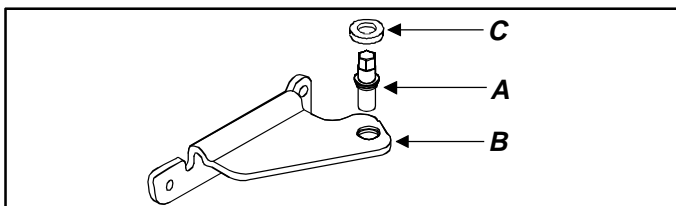
WARNING

To avoid electrical shock which can cause severe personal injury or death, disconnect power to refrigerator before removing doors. After replacing doors, connect power.

1. Remove top hinge cover (A). Top hinge cover snaps off. While supporting refrigerator door, remove top hinge (B) and shim (C) using $\frac{5}{16}$ " hex nut driver to remove screws (D).

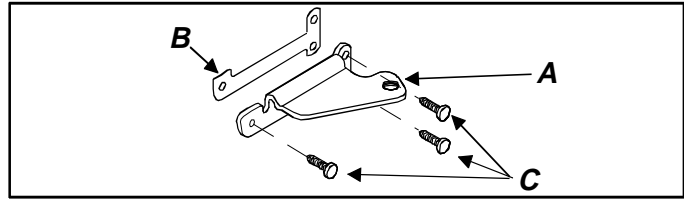


2. Lift refrigerator door off center hinge.
3. While supporting freezer door, remove center hinge pin (A) from center hinge bracket (B) with $\frac{5}{16}$ " hex nut driver. Remove and retain all round washer shims (C—some models).

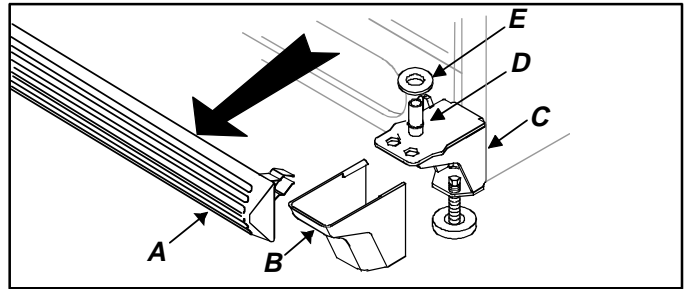


4. Remove freezer door by lifting door off bottom hinge.

5. Remove center hinge bracket (A) and shim (B) by removing screws (C) using Phillips screwdriver.



6. Remove toe grille (A) and bottom hinge cover (B). Both snap off.
7. Remove bottom hinge and shim (C) with $\frac{3}{8}$ " hex nut driver. Remove hinge pin (D). Remove and retain all round washer shims (E), if present.



To Reverse Doors

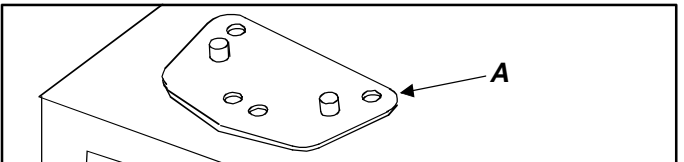
Some installations may require door reversal to achieve full swing door. To reverse swing door direction perform the following steps.

Service Notice: Contour Door Models Only

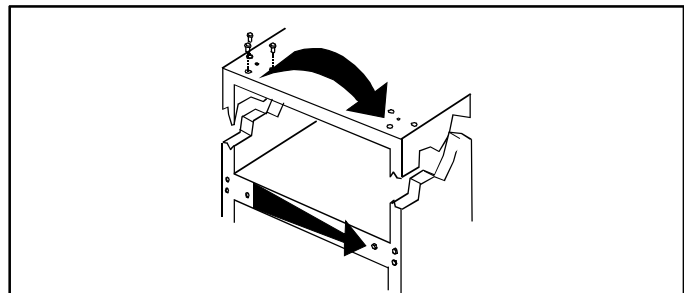
Only a qualified servicer can reverse this door. To have doors reversed, please call **1-800-843-0304**. There is a fee for this service.

For Non-Contour Door Models

1. Complete all directions in section entitled **To Remove Doors**.
2. Peel off positive positioning shim from top of unit (A). **NOTE:** Keep adhesive surface of shim free of dirt and dust until ready to replace. Soiling of adhesive surface will prevent proper reinstallation.

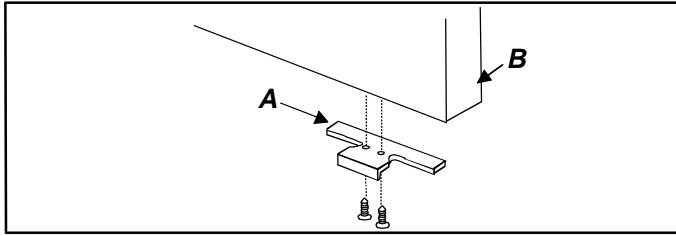


3. Transfer three cabinet plugs from top corner of cabinet to holes left from top hinge removal.
4. Transfer three $\frac{5}{16}$ " hex head screws opposite center hinge area to the holes left by center hinge removal.



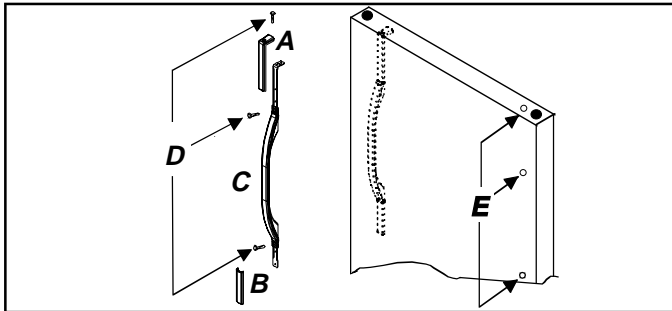
Remove Door Stop

1. Unscrew 2 Phillips screws and remove door stop (A) from refrigerator and freezer door (B). Retain all screws for door stop replacement.



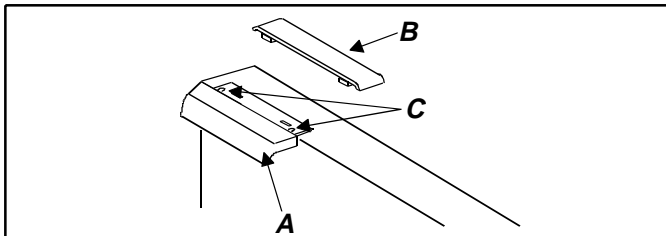
Reverse Handle (front-mounted design)

1. Remove handle screw from handle trim (A). Pry up edge of handle trim (A & B) using a putty knife blade wrapped in masking tape. Remove handle (C) from door by removing 1 remaining mounting screw at each end of handle (D).
2. Remove plugs from hinge side of door (E). Replace plugs in empty mounting holes.
3. Mount refrigerator handle (C) on opposite side of door using mounting screws removed in previous step.
4. Snap handle trim (A & B) into place and replace screw at top of handle.

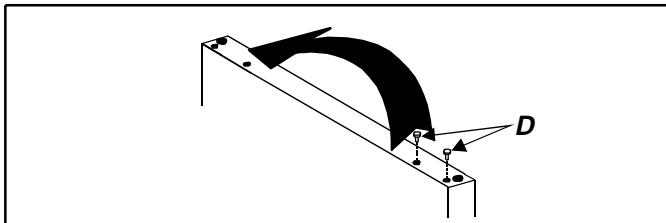


Reverse Freezer Handle

1. Locate two notches on back of freezer handle (A). Insert putty knife blade wrapped in masking tape. Pry up back edge of handle cap (B) and remove from handle.
2. Remove handle from door by removing screws (C).



3. Transfer plugs (D) from opposite side of freezer door to empty mounting holes.

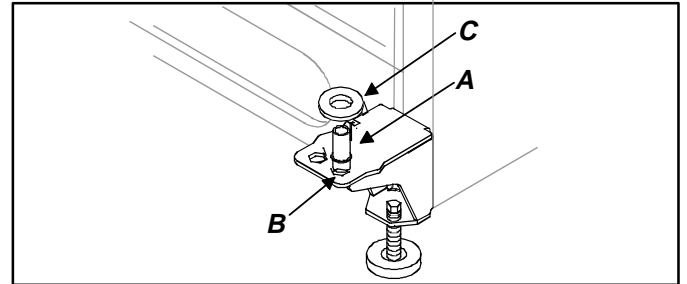


Replace door stop

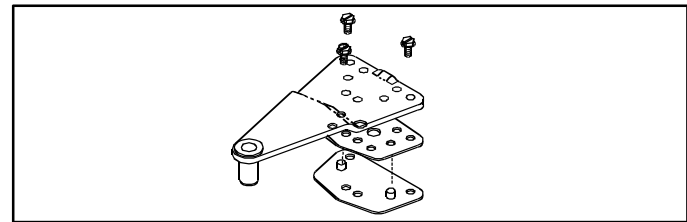
1. Mount door stop opposite handle side on underside of door.

To Replace Doors

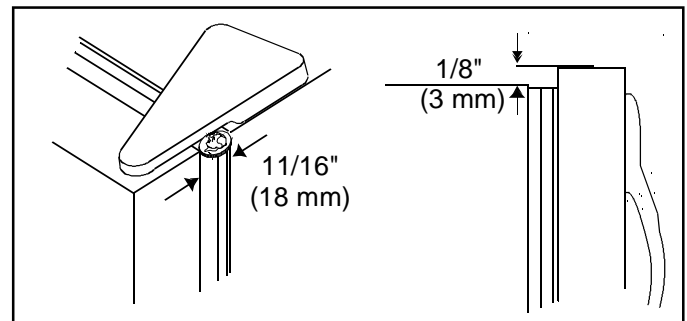
1. Replace bottom hinge and shims with $\frac{3}{8}$ " hex nut screws from hinge removal.
2. Replace bottom hinge pin (A) in hinge bracket hole (B) toward outside of cabinet. Replace all washer shims (C—some models).



3. Replace center hinge and shims with Phillips screws from hinge removal.
4. Place freezer door on bottom hinge pin.
5. Replace center hinge pin with $\frac{5}{16}$ " hex nut driver. Make sure fit is tight. Replace all washer shims (some models).
6. Assemble top hinge, hinge shim, and positioning shim together. Attach loosely to opposite side of cabinet to allow for door clearance.



7. Place refrigerator door on center hinge. Tighten down top hinge to securely hold door.
8. Use a dime at top to space door $\frac{11}{16}$ " (18 mm) from cabinet. Handle side of door should be approximately $\frac{1}{8}$ " (3 mm) higher than hinge side. **Door will become level when it is loaded with food.**



9. Replace hinge cover.

Note: If automatic ice maker water supply is required, proceed to **Connect Ice Maker Water Supply Line**. If not, proceed to section entitled **Leveling Refrigerator**.

Instructions for Pullout Freezer Drawer Models

Proper installation will ensure this refrigerator operates most efficiently.

Amana cannot be held responsible for improper installation.

Tools Required

T-15 Torx™ driver

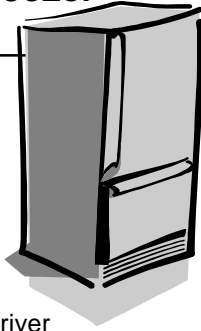
$\frac{3}{8}$ " hex nut driver

$\frac{5}{16}$ " hex nut driver

Putty knife

Masking tape

Phillips screwdriver



IMPORTANT:

- Save all screws for reuse.
- For plug removal requiring use of flat blade screwdriver or putty knife, **blade of tool must be covered with masking tape to avoid damage to refrigerator finish.** For plugs using a screwdriver or nut driver style head, use appropriate tool to avoid damage to plugs.

To Remove Refrigerator Door and Hinges

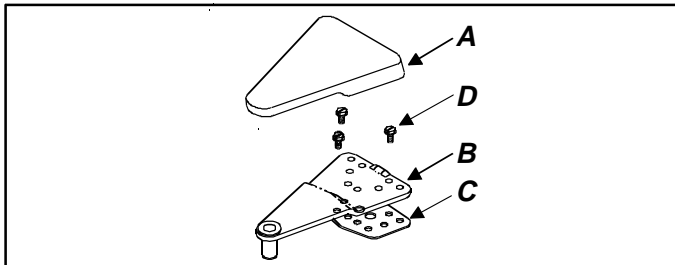
Some installations may require door removal to transport unit to final location.



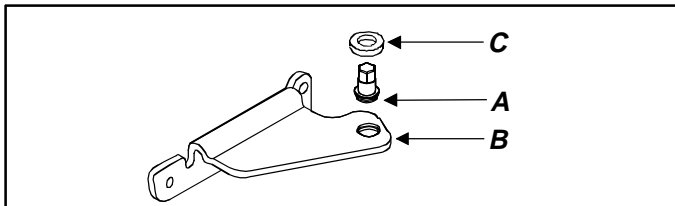
WARNING

To avoid electrical shock which can cause severe personal injury or death, disconnect power to refrigerator before removing doors. After replacing doors, connect power.

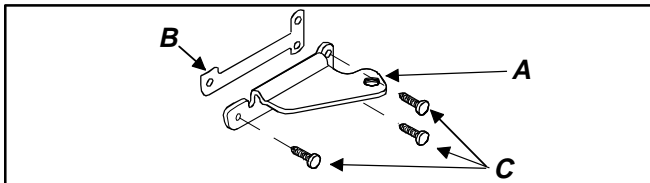
1. Remove top hinge cover (A). Top hinge cover snaps off. While supporting refrigerator door, remove top hinge (B) and shim (C) using $\frac{5}{16}$ " hex nut driver to remove screws (D).



2. Lift refrigerator door off center hinge.
3. Remove center hinge pin (A) from center hinge bracket (B) with $\frac{5}{16}$ " hex nut driver. Remove and retain all round washer shims (C—some models).



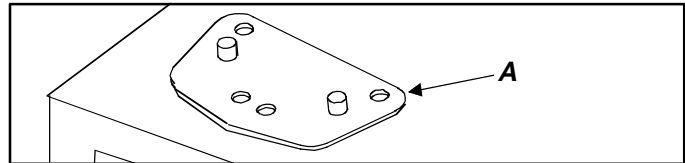
4. Remove center hinge bracket (A) and shim (B) by removing screws (C) using Phillips screwdriver.



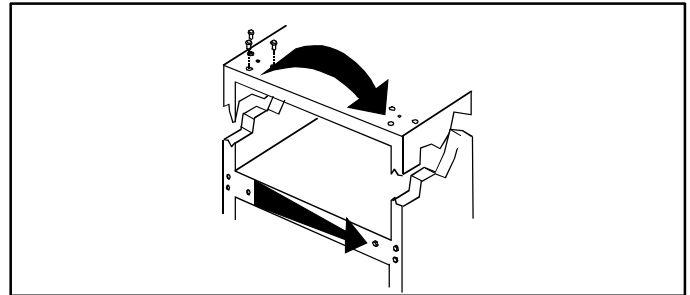
To Reverse Refrigerator Door

Some installations may require door reversal to achieve full swing door. To reverse swing door direction perform the following steps.

1. Complete all directions in section entitled **To Remove Doors.**
2. Peel off positive positioning shim from top of unit (A). **NOTE:** Keep adhesive surface of shim free of dirt and dust until ready to replace. Soiling of adhesive surface will prevent proper reinstallation.

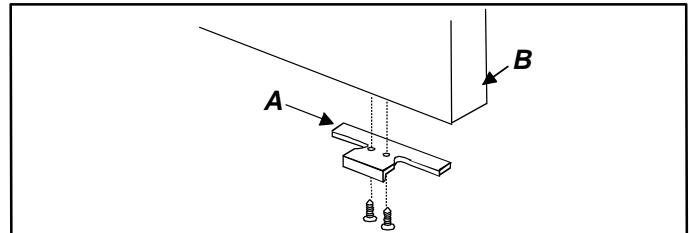


3. Transfer three cabinet plugs from top corner of cabinet to holes left from top hinge removal.
4. Transfer three $\frac{5}{16}$ " hex head screws opposite center hinge area to the holes left by center hinge removal.



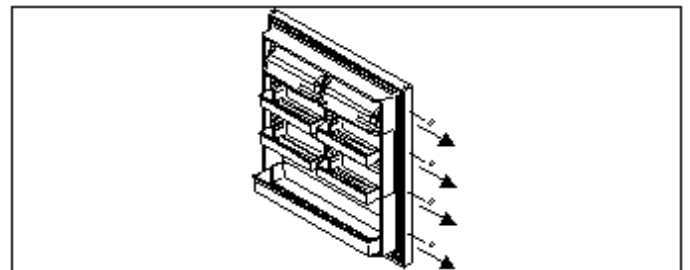
Remove Door Stop

1. Unscrew 2 Phillips screws and remove door stop (A) from refrigerator door (B). Retain all screws for door stop replacement.

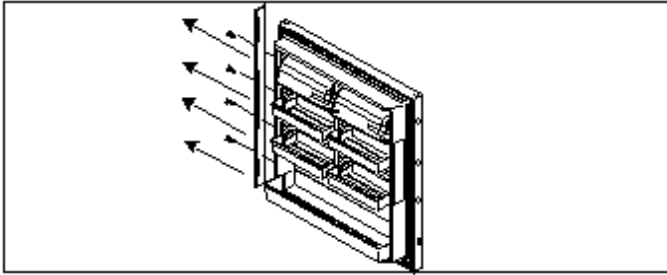


Reverse Handle

1. Remove door plugs from edge of door. Keep for later replacement.



- Remove Torx-head screws to release handle from door. Retain screws for replacement.



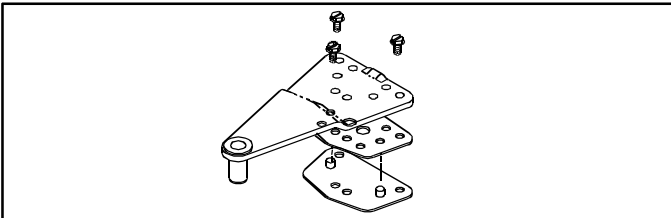
- Mount handle on opposite side of door using screws from removal.
- Place plugs in holes on door edge opposite handle.

Replace door stop

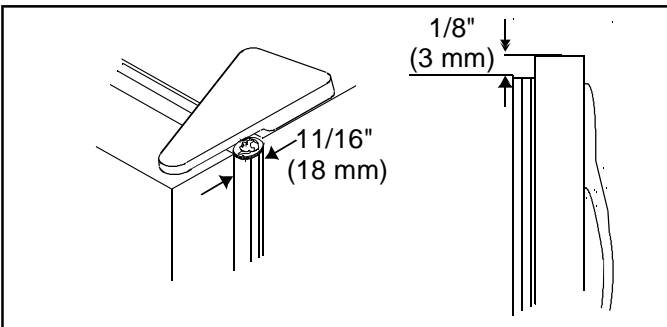
- Mount door stop opposite handle side on underside of door.

To Replace Refrigerator Door

- Replace center hinge and shims with Phillips screws from hinge removal.
- Replace center hinge pin with $\frac{5}{16}$ " hex nut driver. Make sure fit is tight. Replace all washer shims (*some models*).
- Assemble top hinge, hinge shim, and positioning shim together. Attach loosely to opposite side of cabinet to allow for door clearance.



- Place refrigerator door on center hinge. Tighten down top hinge to securely hold door.
- Use a dime at top to space door $\frac{11}{16}$ " (18 mm) from cabinet. Handle side of door should be approximately $\frac{1}{8}$ " (3 mm) higher than hinge side. **Door will become level when it is loaded with food.**



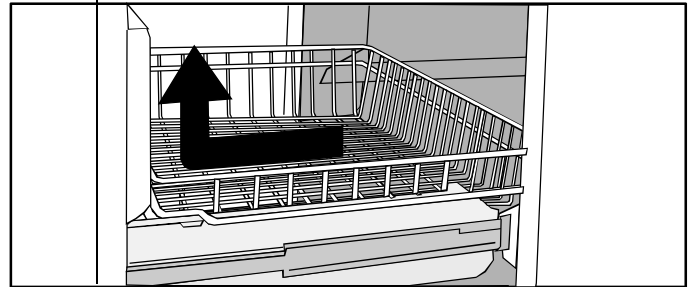
- Replace hinge cover.

Note: If automatic ice maker water supply is required, proceed to *Connect Ice Maker Water Supply Line*. If not, proceed to section entitled *Leveling Refrigerator*.

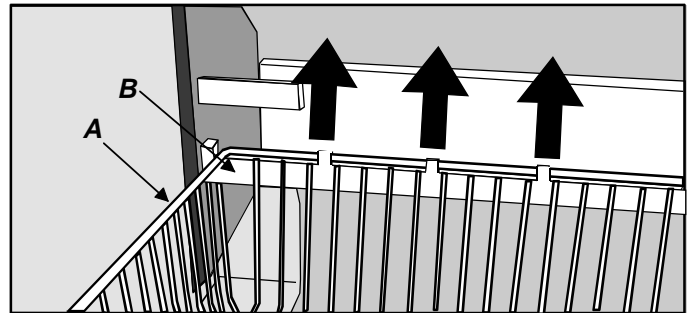
To Remove and Replace Freezer Pullout Drawer and Stabilizing Feet

To Remove Freezer Drawer

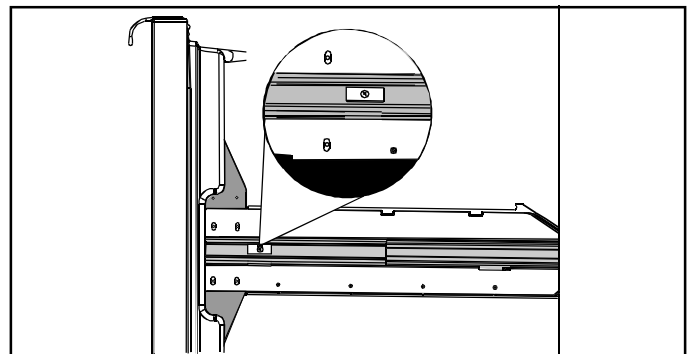
- Open freezer drawer to full extension.
- Empty all articles out of baskets.
- Slide top wire basket out to full extension and lift out to remove.



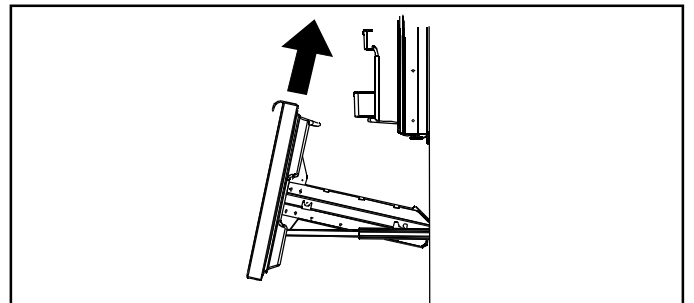
- Remove bottom basket (A) by lifting basket from rail guides (B).



- Remove Phillips screw from each side of drawer rail assembly. **DO NOT** remove hex head screws from rail assembly.

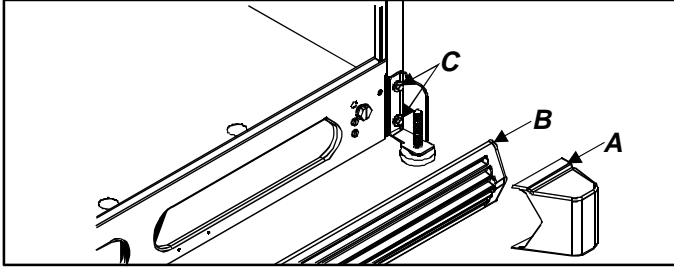


- Lift front handle of freezer drawer to disengage drawer rail hooks from interior rail assembly. Lift drawer assembly out to remove.



Optional Instructions If Addressing Transport Clearance Issues

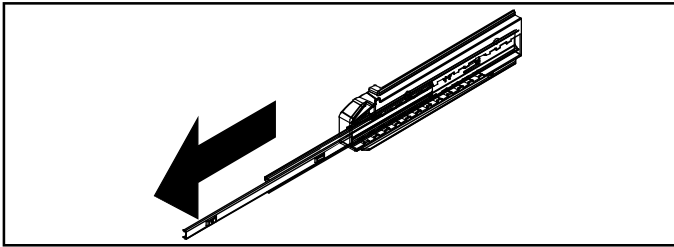
1. Remove both stabilizing leg covers (A) and toe grille (B). Both snap off.
2. Remove both stabilizing brackets (C) with $\frac{3}{8}$ " hex nut driver.



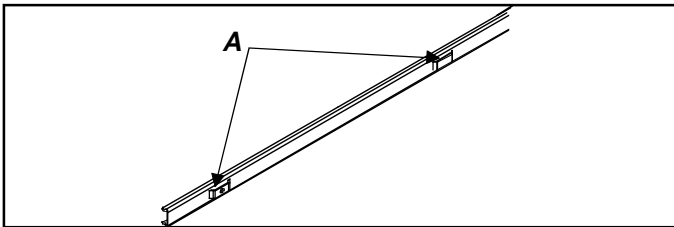
To Replace Freezer Drawer

IMPORTANT: Two individuals may be required to complete this procedure.

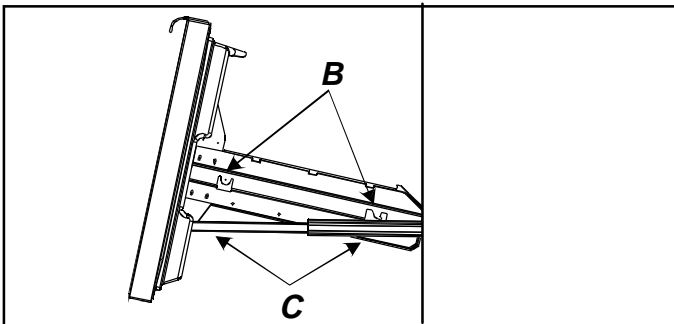
1. Extend both interior rail assemblies to full length on each side of cabinet.



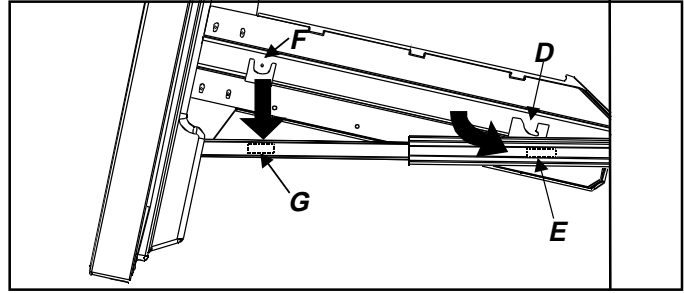
2. Locate notches (A) in both interior rail extensions.



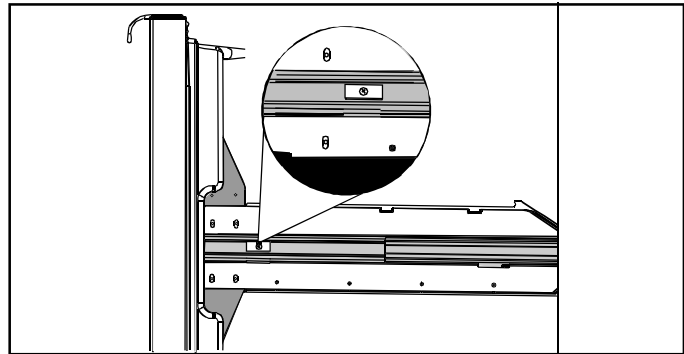
3. Align tabs on outside edge of drawer rail assemblies (B) with notches in both rail extensions (C).



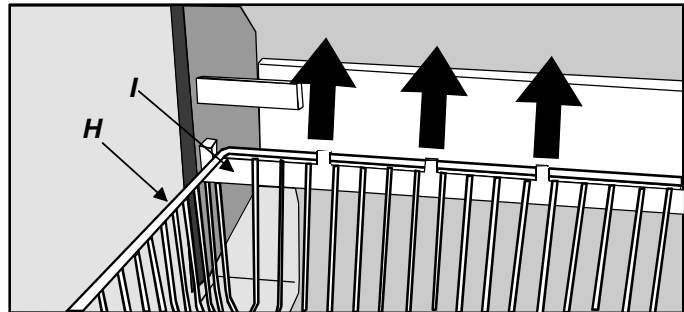
4. Insert hook tab (D) into notch (E) at 45° angle. Insert tab (F) into notch (G) by lowering handle end of assembly.



5. Replace Phillips screws on both rail extensions.



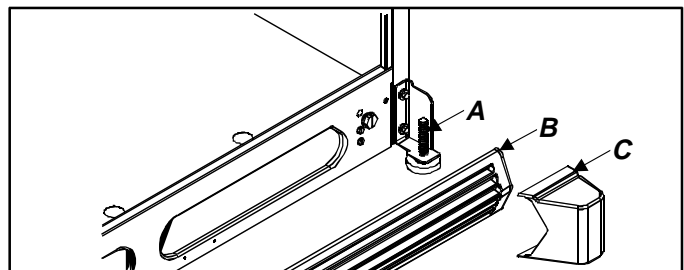
6. Replace bottom basket (H) by placing basket into rail guides (I).



7. Slide top basket into upper compartment.

Optional Instructions If Addressing Transport Clearance Issues

1. Replace both stabilizing brackets (A) with $\frac{3}{8}$ " hex nut driver.
2. Replace toe grille (B) and both stabilizing leg covers (C). See markings on inside of toe grille to insure proper placement.
 - **Snap top portion into place first.** Press down on lower part of grille until bottom portion snaps into place.



Connect Ice Maker Water Supply Line

(some models)



DANGER

To avoid electrical shock which can cause severe personal injury or death. Disconnect power to refrigerator before connecting water supply.



CAUTION

Observe the following to avoid property damage:

- Raise stabilizing leg before moving unit.
- Make sure water pressure to water valve is between 20 and 100 pounds per square inch.
- Tighten adapter fitting and nuts with pliers and wrenches. Do not overtighten.
- Check for water leaks and correct if necessary before returning refrigerator to normal location. After 24 hours check again for leaks.

Important

- Before connecting water supply, contact a plumber to connect copper tubing to household plumbing in compliance with local codes and ordinances.
- **DO NOT use piercing type or $\frac{3}{16}$ " saddle valves!** Both reduce water flow, become clogged with time and in addition, may cause leaks if repair is attempted. The correct type—a **shut-off valve**—requires a $\frac{1}{4}$ " hole to be drilled in the water supply pipe before valve attachment.
- Do not install copper tubing in area where temperatures drop below 32°F (0°C).

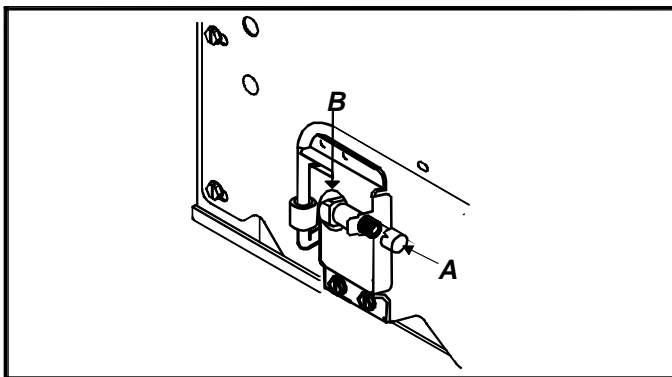
Materials Required

- $\frac{1}{4}$ " O.D. (6 mm) flexible copper tubing
- $\frac{1}{2}$ " open end wrench

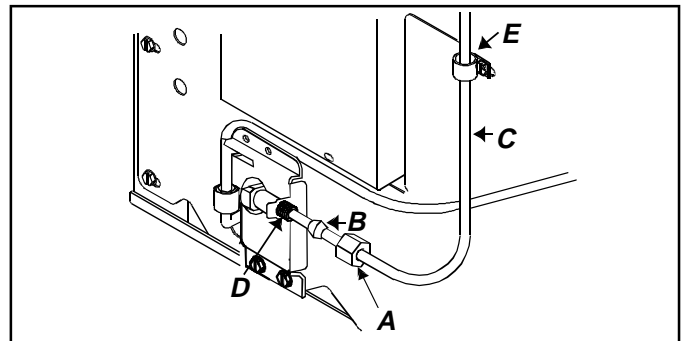
Length of copper tubing must reach from water supply connection to water valve inlet port on back of refrigerator, plus additional 8 ft. (2 m) of tubing for a service loop. A service loop will allow refrigerator to be pulled away from the wall without disconnecting tubing.

Procedure

1. Remove plastic cap(A) from water valve inlet port(B).



2. Place brass nut(A) and brass sleeve(B) on copper tubing(C)(Brass nut and sleeve are found in your literature packet.) Insert copper tubing into water valve inlet port(D). Connect brass nut on copper tubing to water valve inlet port. Make sure copper tubing is secure by pulling on copper tubing.
3. Turn on water supply to refrigerator and check for leaks. Correct any leaks at connection. Be careful not to overtighten connection.
4. Create a service loop using extreme care to avoid kinks. Secure copper tubing to refrigerator cabinet with a "P" clamp(E). It is important to secure copper tubing to refrigerator to avoid leaks when pushing refrigerator back into opening.



5. Proceed to *Leveling Refrigerator* for final refrigerator placement.

Leveling Refrigerator

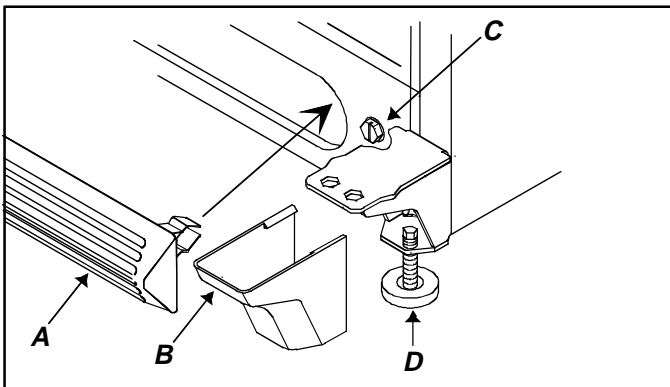
Swing Door Models

CAUTION

Protect soft vinyl or other flooring with cardboard, rugs or other protective material to avoid property damage.

If your refrigerator requires an ice maker water supply connection, proceed to *Connect ice maker water supply* section before leveling your refrigerator.

1. Plug in power cord.
2. Move refrigerator into final location.
3. Level refrigerator using a level placed on top of the refrigerator.
 - Remove toe grille **(A)**. Remove bottom hinge cover **(B)**.
 - Turn roller adjustment screws **(C)** to raise or lower refrigerator cabinet. Front of refrigerator must be $\frac{1}{4}$ " (6 mm), or $\frac{1}{2}$ bubble on your level, higher than the back of your refrigerator.
 - Make sure refrigerator cabinet is level from side to side by adjusting left and right roller adjustment screw **(C)**.
 - Turn stabilizing leg **(D)** clockwise until firmly against floor.
4. Replace toe grille **(A)** and bottom hinge cover **(B)**. See markings on inside of toe grille to insure proper placement.
 - **Snap top portion into place first.** Press down on lower part of grille until bottom portion snaps into place.



5. Review *Installation Checklist* in Owner's Manual with consumer.

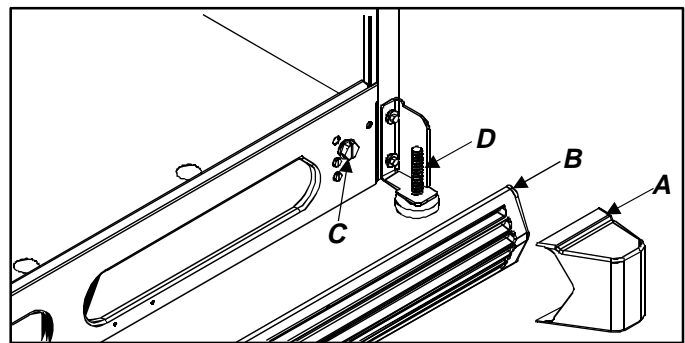
Pullout Freezer Drawer Models

CAUTION

Protect soft vinyl or other flooring with cardboard, rugs or other protective material to avoid property damage.

If your refrigerator requires an ice maker water supply connection, proceed to *Connect ice maker water supply* section before leveling your refrigerator.

1. Plug in power cord.
2. Move refrigerator into final location.
3. Level refrigerator using a level placed on top of the refrigerator.
 - Remove stabilizing leg covers **(A)**. Remove toe grille **(B)**.
 - Turn roller adjustment screws **(C)** to raise or lower refrigerator cabinet. Front of refrigerator must be $\frac{1}{4}$ " (6 mm), or $\frac{1}{2}$ bubble on your level, higher than the back of your refrigerator.
 - Make sure refrigerator cabinet is level from side to side by adjusting left and right roller adjustment screw **(C)**.
 - Turn both stabilizing legs **(D)** clockwise until firmly against floor.
 - Turn roller adjustment screws 2 to 3 times counterclockwise, so that full weight of unit rests on stabilizing legs.
4. Replace toe grille **(A)** and both stabilizing leg covers **(B)**. See markings on inside of toe grille to insure proper placement.
 - **Snap top portion into place first.** Press down on lower part of grille until bottom portion snaps into place.



5. Review *Installation Checklist* in Owner's Manual with consumer.

Installation Checklist

This checklist is for personal records only.

Consumer Installer

- | | | |
|--------------------------|--------------------------|---|
| <input type="checkbox"/> | <input type="checkbox"/> | Doors |
| <input type="checkbox"/> | <input type="checkbox"/> | Handles are solidly attached to doors. |
| <input type="checkbox"/> | <input type="checkbox"/> | Handle side of door is 1/8" (3 mm) higher than hinge side. (Door lowers when loaded with food.) |
| <input type="checkbox"/> | <input type="checkbox"/> | Doors seal completely to refrigerator cabinet. |
| <input type="checkbox"/> | <input type="checkbox"/> | Leveling |
| <input type="checkbox"/> | <input type="checkbox"/> | Refrigerator is tilted 1/4" (6 mm) from front to rear. |
| <input type="checkbox"/> | <input type="checkbox"/> | Toe grille is properly attached to refrigerator. |
| <input type="checkbox"/> | <input type="checkbox"/> | Ice Maker |
| <input type="checkbox"/> | <input type="checkbox"/> | Water supply to refrigerator is turned on. |
| <input type="checkbox"/> | <input type="checkbox"/> | Water leaks are not present at connection between household water supply and refrigerator. (After 24 hours, consumer should check connection for water leaks.) |
| <input type="checkbox"/> | <input type="checkbox"/> | Ice maker arm is in <i>on</i> position for ice production. (It may take up to 24 hours for first harvest of ice.) |
| <input type="checkbox"/> | <input type="checkbox"/> | Product Literature |
| | | Owner's manual is reviewed including the following information. |
| | | <ul style="list-style-type: none"> • product registration card • Fresh Food and Deepfreeze® controls • Humidity-controlled crispers • normal operating sounds |

Notes _____

 Consumer's Signature

 Installer's Signature

 Installer's Company Name/Phone Number

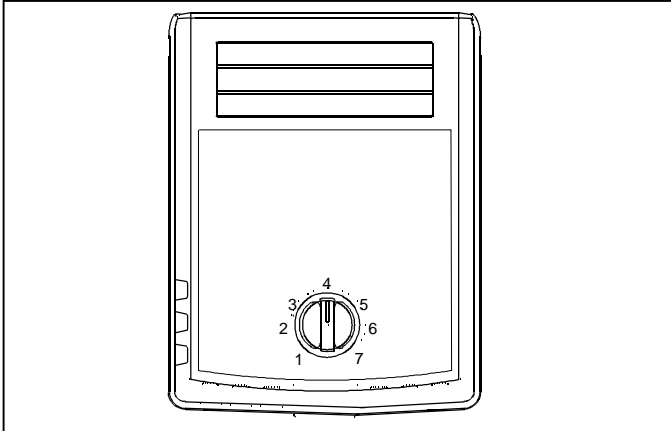
 Date

Controls

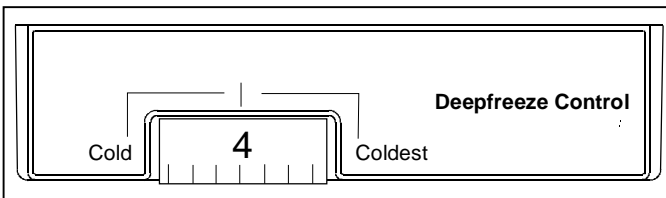
This refrigerator is designed to operate at normal household temperatures of 55° to 110°F (13° to 43°C).

Fresh Food and Freezer Controls

Fresh food control is located on upper rear wall of fresh food section.



Freezer control is located on left front ceiling of freezer section.



Setting Controls

When freezer control is set to OFF, neither refrigerator nor freezer sections will cool. Initially, set both controls to 4. Wait 24 hours for refrigerator and freezer sections to stabilize temperatures. After 24 hours, adjust controls, one number at a time, as desired. One is warmest setting and seven is coldest.

Set controls precisely using a household thermometer with a temperature range between -5° to 50°F (-21° to 10°C).

Put thermometer snugly between frozen packages in freezer section. Wait 5–8 hours. If freezer temperature is not 0° to 2°F (-17° to -16°C), adjust freezer control one number at a time. Check again after 5–8 hours.

Put thermometer in a glass of water in middle of fresh food section. Wait 5–8 hours. If fresh food temperature is not 38° to 40°F (3° to 4°C), adjust fresh food control one number at a time. Check again after 5–8 hours.

Fresh Food Features

Fresh Food Shelves

Shelves adjust to meet individual storage needs. Some models feature Spillsaver™ Shelves and Easy Glide™ shelves. Spillsaver™ Shelves hold minor spills for easier cleaning.



CAUTION

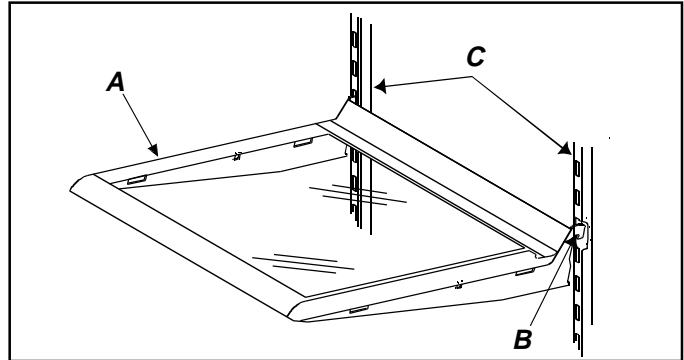
Make sure shelf is secure before replacing items on shelf to avoid property damage.



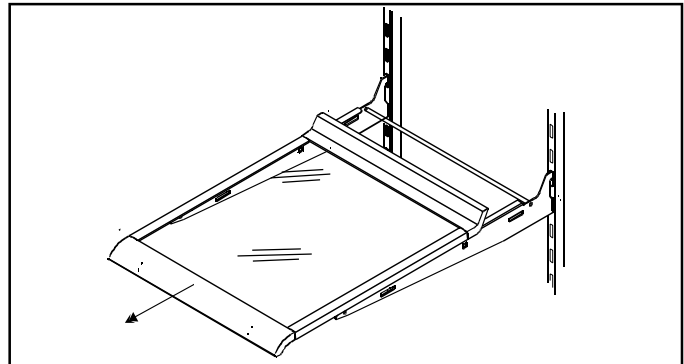
CAUTION

Handle tempered glass shelves carefully to avoid personal injury or property damage. Shelves may break suddenly if nicked, scratched, or exposed to sudden temperature change.

- Remove shelves (**A**) by lifting up shelf front, releasing hooks (**B**) from metal track (**C**), then pulling out.
- Replace shelves by inserting hooks into metal track and lowering front of shelf.



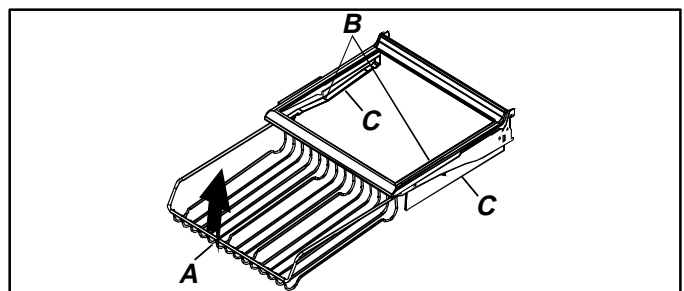
Easy Glide™ shelves pull forward for easy access to items in back.



Beverage Organizer (some models)

The beverage organizer slides out from underneath the glide-out shelf. This may hold 12 cans or other desired beverages.

- Before removing organizer, empty contents.
- Remove organizer (**A**) by pulling organizer forward until it catches on grooves (**B**) in shelf rail (**C**). Lift organizer front and pull out.
- To replace, guide organizer (**A**) into shelf rails (**C**) until forward movement is stopped by groove (**B**). Lift organizer front and ease organizer toward back of unit.



Adjustable Deli Drawer™ (some models)

- Refer to instructions entitled Spillsaver™ Shelves for removing and replacing shelf.
- Remove drawer and sleeve by lifting and pulling out.
- Replace drawer by sliding into place.

Garden Fresh™ Crispers

Garden Fresh™ crispers keep produce fresh longer. Wrap produce tightly. Do not wash produce before placing in crispers. Excess moisture could cause produce to spoil prematurely. Do not line crispers with paper towels. Paper towels retain moisture.

Garden Fresh™ crisper control is located below front shelf trim. Control adjusts humidity in crisper drawers. Slide control to high for produce with leaves such as lettuce, spinach or cabbage. Slide control to low for produce with skins such as cauliflower, corn or tomatoes.

To remove or clean crisper drawer assembly for 33" wide units:

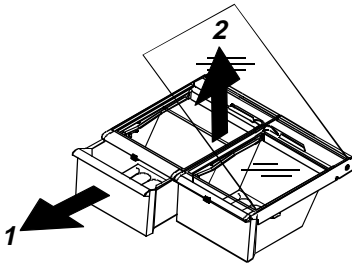
1. Remove crisper drawer on handle side of unit.



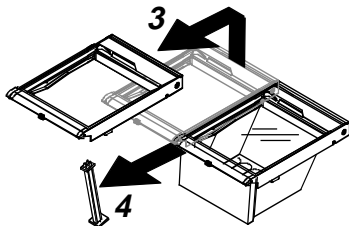
CAUTION

Handle tempered glass shelves carefully to avoid personal injury or property damage. Shelves may break suddenly if nicked, scratched, or exposed to sudden temperature change.

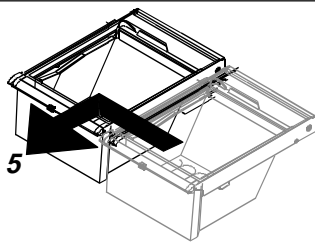
2. Remove glass crisper top by gently pushing up from underneath. Tilt one end up and pull out.



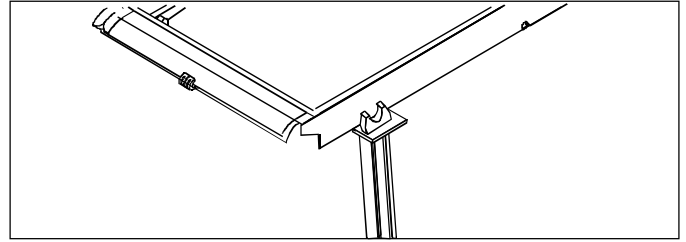
3. Lift front of crisper shelf frame and remove.
4. Lift front of remaining crisper assembly and remove support post from center of refrigerator floor.



5. To avoid interference with door, move remaining crisper assembly to opposite wall and remove.



6. Replace crispers and shelves by performing steps 2 through 5 in reverse order.
Note: Be sure to hook shelf frame over notch on top of support post when replacing shelf frames.



7. Slide crisper glass into place.

To remove or clean crisper drawer assembly for 30" wide units:

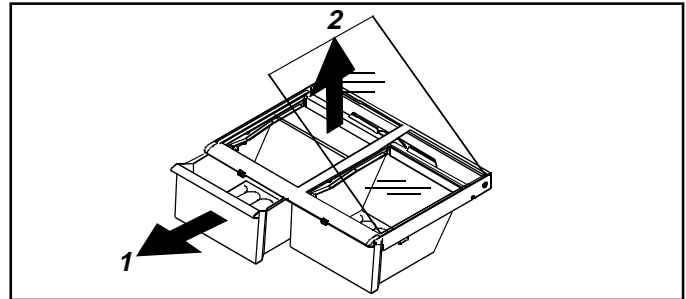
1. Open refrigerator door as wide as possible and remove crisper drawers.



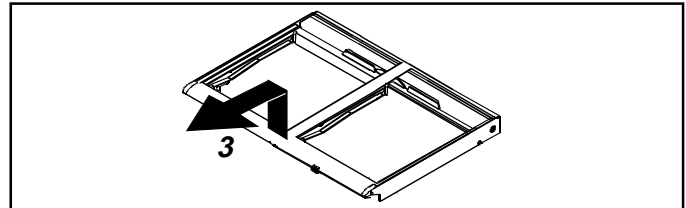
CAUTION

Handle tempered glass shelves carefully to avoid personal injury or property damage. Shelves may break suddenly if nicked, scratched, or exposed to sudden temperature change.

2. Remove glass crisper top by gently pushing up from underneath. Tilt one end up and pull out.



3. Raise front of crisper frame free of refrigerator cabinet rail assembly and pull out of unit.



4. Replace crispers and shelf by performing steps 2 through 3 in reverse order.
5. Slide crisper glass into place.

Chiller Fresh™ System (some models)

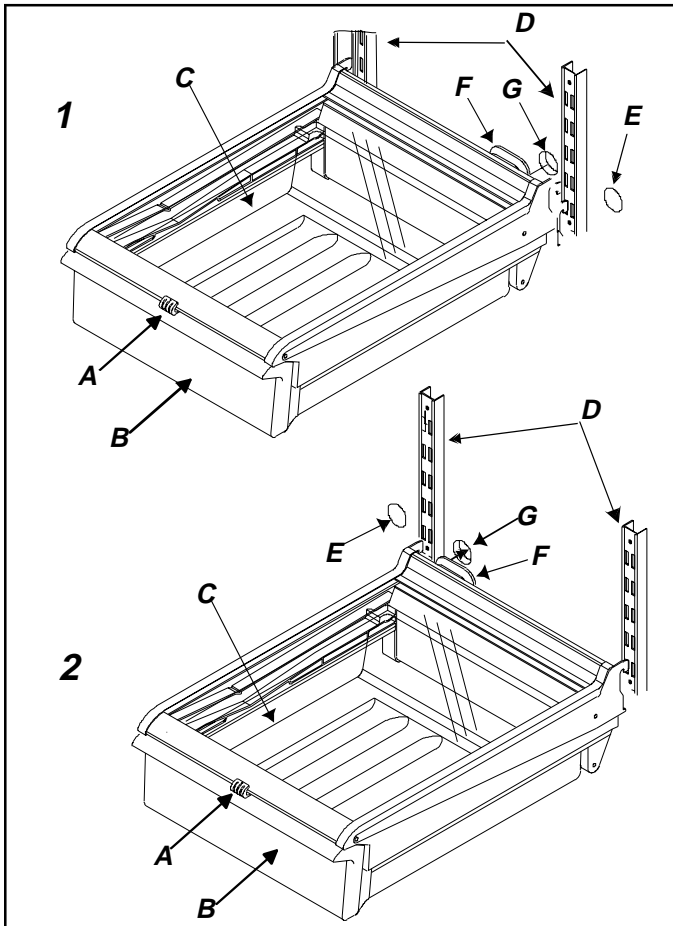
The Chiller Fresh™ System features a drawer inside a sleeve. Freezer air circulates between drawer and sleeve. This system keeps food fresh longer and up to 5°F (3°C) colder than refrigerator temperature.

Chiller Fresh™ control(A) is located below front shelf trim. Control adjusts amount of air circulating around drawer. Slide control to *COLD* for normal refrigerator temperature and to *COLDER* for colder temperature. Ice crystals may form on drawer or food on *COLDER* setting. Cold air entering the Chiller Fresh™ drawer can decrease refrigerator temperature. Fresh food control may need to be adjusted to a lower number to compensate for colder air.

Chiller Fresh™ drawer can be moved from the left to the right side of the refrigerator compartment to accommodate different storage needs.

To install on left side, see Figure 1. To install on right side, see Figure 2

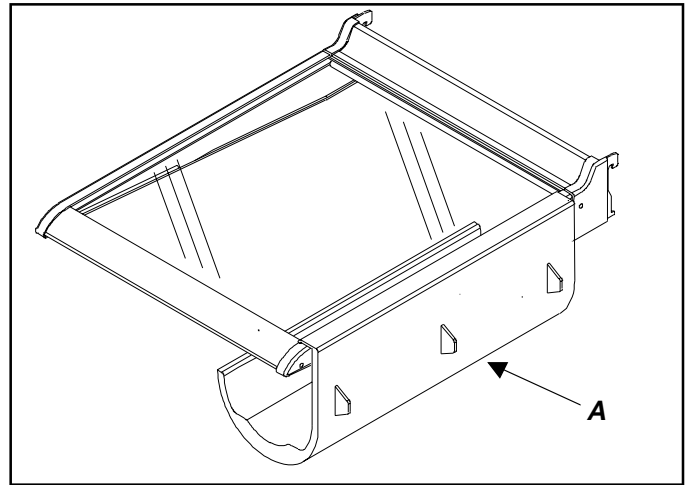
1. Remove drawer(B) by lifting and pulling out. Remove shelf(C) by lifting from front, releasing hooks from metal track(D), then pulling out.
2. Remove plastic cap(E) from back wall of fresh food section by placing a knife covered with masking tape underneath cap and pulling forward.
3. Rotate boot(F) 180° to opposite side.
4. Insert plastic cap in hole(G) opposite side of fresh food section. Confirm cap is snugly in place. Cold air may cause food to freeze if cap is not replaced.
5. Replace shelf by inserting hooks into metal track and lowering the front. Use slots 4 through 6 only.
6. Replace drawer by sliding in. Make sure boot fits snugly over air inlet in back wall.



Storage Rack (some models)

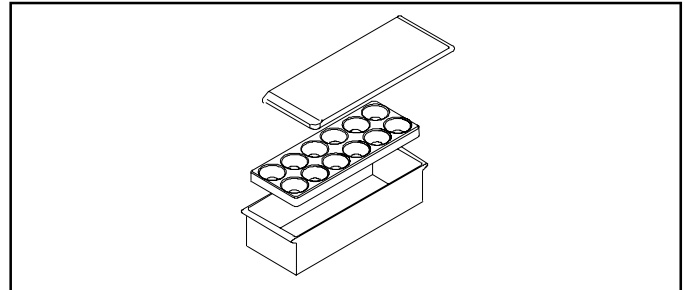
Storage rack(A) provides convenient storage for a large bottle, eggs, etc.

- Hang rack by hooking over side of shelf.



Covered Storage Bucket (some models)

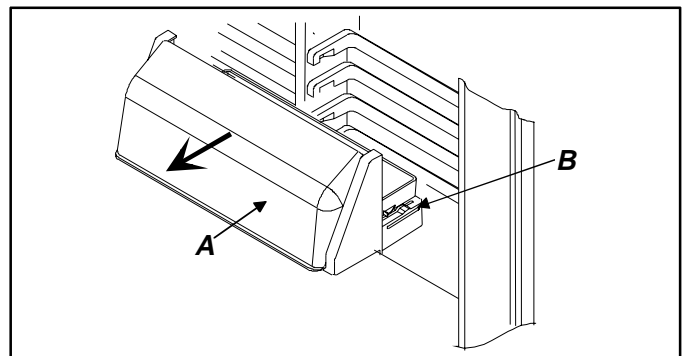
The covered storage bucket has a lid and removable egg tray. When tray is removed, bucket will accept standard egg carton, ice, etc.



Dairy Center (some models)

The dairy center provides convenient storage for butter, cheese, etc.

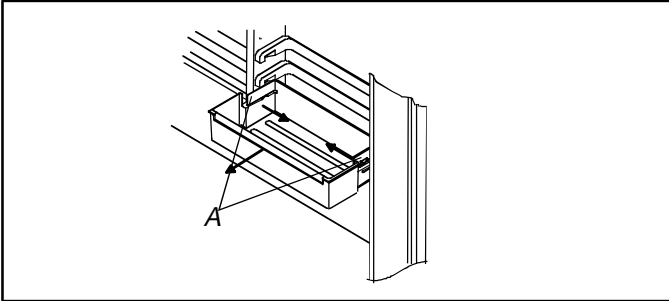
- Remove dairy center by lifting door(A), pushing tabs(B) of shelf down on both sides, and pulling out.
- Replace dairy center by sliding in until tabs lock into place, then lower door.



Door Buckets

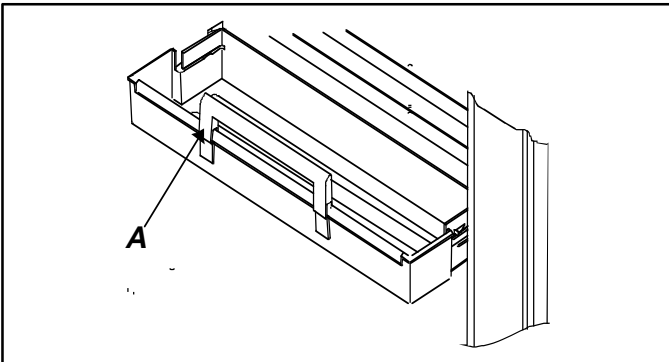
Door buckets adjust to meet individual storage needs.

- Remove door buckets by pushing tabs **(A)** on both sides of shelves toward center and pulling bucket out.
- Replace door buckets by sliding in until tabs lock into place.



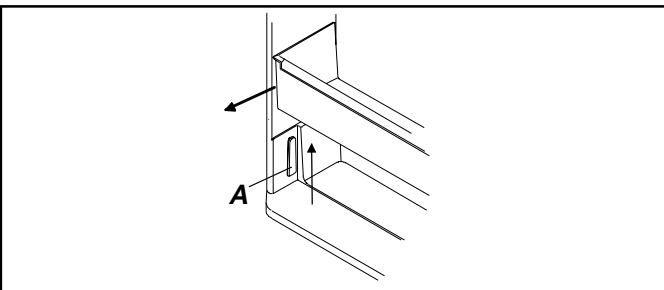
Tall Package Retainer (some models)

Tall package retainer **(A)** keeps tall items secure. Retainer fits on front edge of any refrigerator door bucket or door shelf.



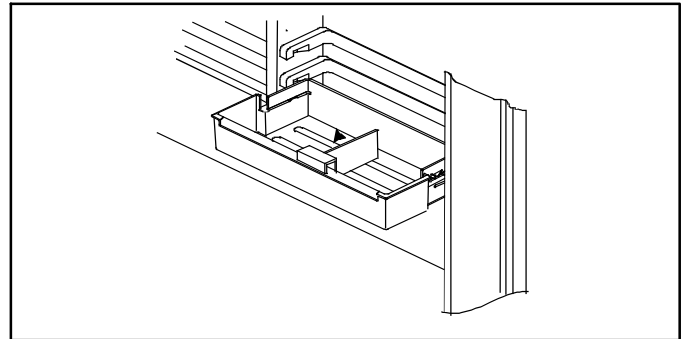
Door Shelves

- Remove door shelves by lifting ends and pulling out.
- Replace door shelves by placing shelf on glides **(A)** and sliding down.



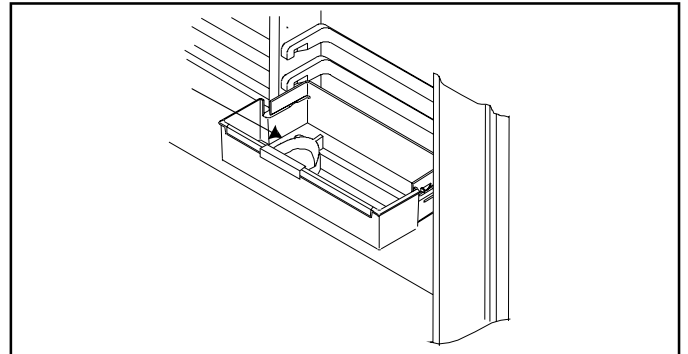
Adjustable Divider (some models)

Adjustable divider keeps items in place and adjusts to meet individual storage needs. Divider fits in any door bucket or door shelf.



Bottle Holder (some models)

Bottle holder keeps items in place and adjusts to meet individual storage needs. Bottle holder fits in any door bucket or door shelf.



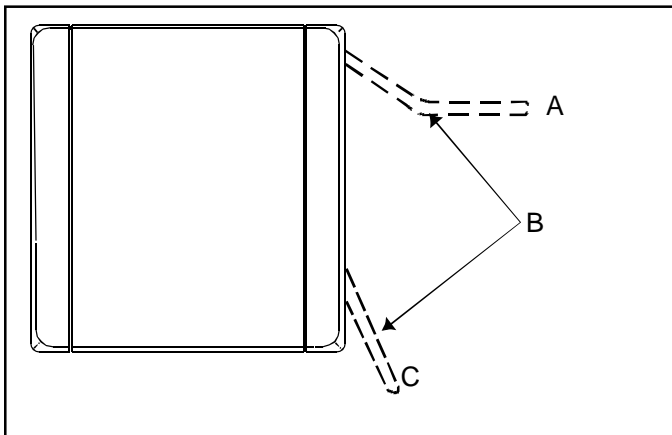
Freezer Features

Frost-Free System

The fresh food and freezer sections are completely frost-free. Defrosting is automatic under normal conditions.

Automatic Ice Maker (some models)

- Make sure ice bucket is in place and ice maker arm **(B)** is down **(C)**.



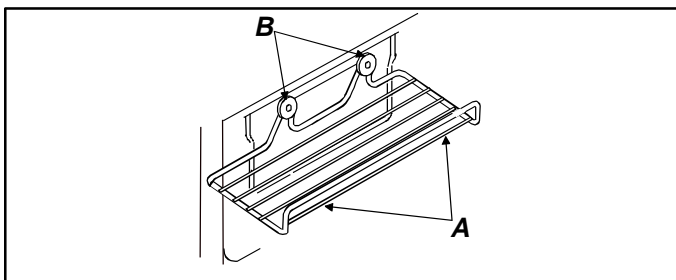
- After freezer section reaches normal temperature, the ice maker fills with water and begins operating. For optimum ice production, it is recommended that freezer section be at least half full. Allow 24–48 hours after installation before first harvest of ice. Ice maker produces 7 to 9 harvests of ice in a 24-hour period under ideal conditions.
- After ice is formed, ice maker drops ice cubes into ice storage bucket. During ice production, ice maker arm **(B)** raises and lowers. When ice storage bucket is full, ice maker arm turns ice maker off **(A)**.

Note: Discard first 3 harvests of ice so any impurities left in the water line after installation are not consumed.

- If you wish to stop automatic ice production lift ice maker arm **(A)**. A definite click is heard when proper position is reached. Ice maker arm will remain in that position until pushed down.

Ice Service Rack (some models)

Install ice service rack **(A)** by placing ice service rack on washers **(B)** and sliding down.



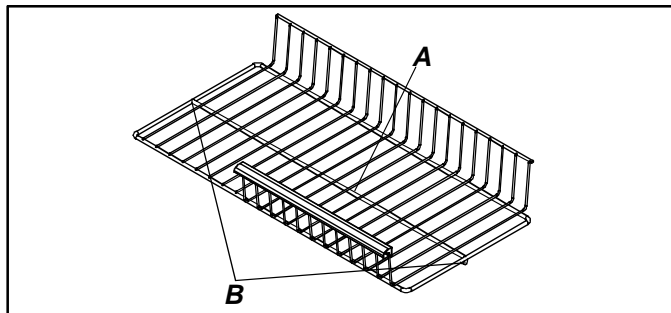
CAUTION

Make sure shelf is secure before placing items on shelf to avoid property damage.

Slideout Shelf (some models)

Slide out shelf pulls forward for easy access to items in back.

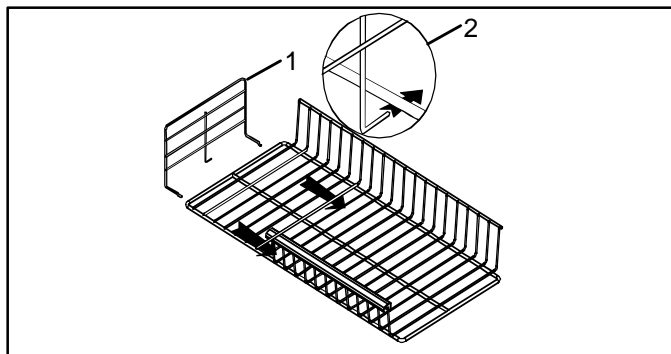
- Remove slideout shelf by sliding forward until ball point **(B)** beneath center rail **(A)** catches in molding groove.
- Grasp shelf by center rail, pull up, and remove.
- Slide in until ball point falls into molding groove.



Vertical Shelf Divider (some models)

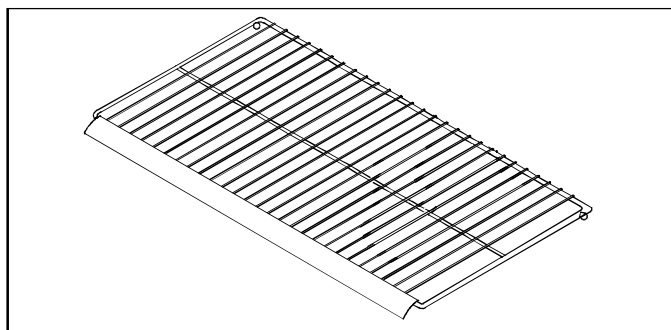
Install vertical shelf divider by completing the following steps:

1. Slide prongs of shelf divider beneath desired grill work, slightly off-center from center rail.
2. Press top of divider down and slide hook assembly beneath center rail.



Fixed Wire Shelf (some models)

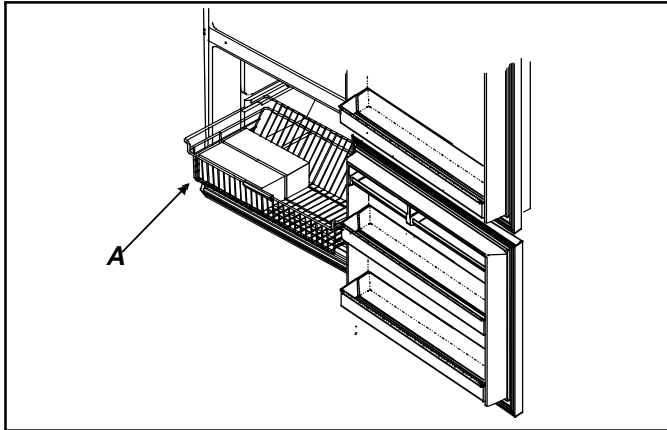
- Remove wire shelf by pulling out. A sharp tug may be necessary.
- Replace wire shelf by sliding in until back locks in place.



Wire Basket

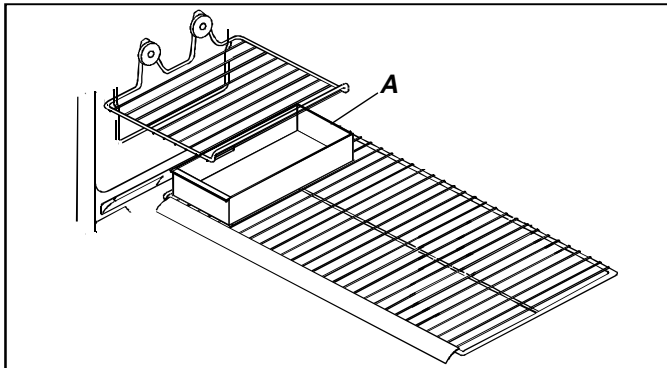
Wire basket **(A)** slides out for easy access to items in back.

- Remove wire basket by lifting and pulling out.
- Replace wire basket by sliding in.



Ice Bin (some models)

Ice bin **(A)** sits below the ice service rack on the wire freezer shelf.



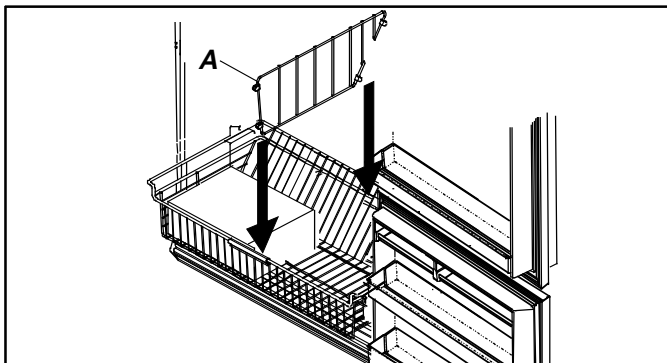
Vertical Basket Divider

Install vertical basket divider **(A)** by completing the following steps:

1. Align clips on side of divider with rungs in basket wall.
2. Press top of divider down until divider meets bottom of basket

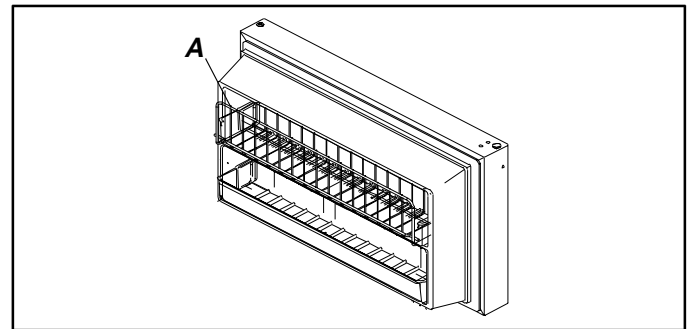
To remove divider:

1. Grasp top of divider and pull straight up.



Tilt-Out Bin (some models)

The tilt-out bin **(A)** provides convenient storage for frozen food items in freezer door and tilts forward for easy access of those items.



Pullout Drawer Baskets (some models)

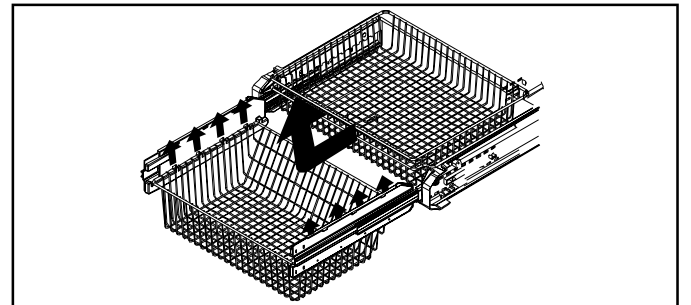
(Door assembly of drawer removed from illustration for visual clarity)

To remove and replace top basket:

- Remove basket by pulling basket out to its full extension and lift out.
- Replace basket by sliding into upper compartment of freezer.

To remove and replace bottom basket:

- Remove basket by lifting basket from rail guides.
- Replace basket by placing into rail guides.

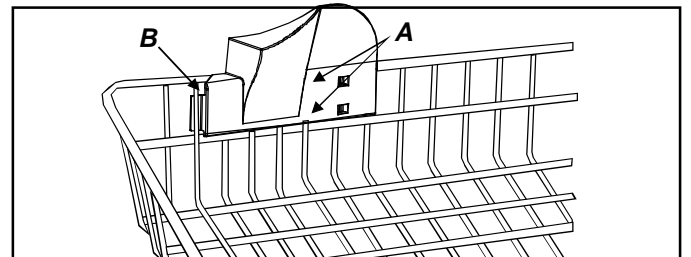


Ice Shield (some models)

The ice shield is mounted at the back of the pullout drawer to prevent ice from falling behind the basket assemblies.

To remove and replace ice shield:

- Slide ice shield to the right to release hooks **(A)** from vertical wire rungs.
- To replace, slide tab **(B)** into place as shown.



Care and Cleaning



WARNING

Disconnect power to refrigerator before cleaning to avoid electrical shock which can cause severe personal injury or death. After cleaning, restore power.



CAUTION

Read and follow all manufacturer's cleaning directions to avoid personal injury or property damage.

General

See section on Stainless Steel Cleaning if doors are stainless steel.

1. Wash surfaces with 4 tablespoons baking soda dissolved in 1 quart warm water and a soft, clean cloth.
2. Rinse surfaces with warm water. Dry surfaces with a soft, clean cloth.
 - Do not use the following items:
 - abrasive or harsh cleaners, ammonia, chlorine bleach, etc.
 - concentrated detergents or solvents
 - metal scouring padsThese items can scratch, crack and discolor surfaces.
 - Do not place buckets, shelves, etc. in dishwasher.

Stainless Steel Cleaning

Damage to stainless steel finish due to improper use of cleaning products, or using non-recommended cleaning products, is not covered under warranty.

For Amana recommended products, call our Consumer Affairs division at **1(800) 843-0304**, or contact us on the internet at www.amana.com.

1. Wash surfaces with warm soapy water and a soft, clean cloth or sponge.
2. Rinse surfaces with warm water. Dry surfaces with a soft, clean cloth.
 - Do not use the following harsh cleaners:
 - abrasive or acidic cleaners (ammonia, chlorine bleach, vinegar-based product, etc.)
 - citrus-based cleaners
 - scouring pads (metal, textured plastic, etc.)These items can scratch, discolor, or permanently tarnish surfaces.
3. Follow up rinsing by immediately drying with a soft, clean cloth. This will avoid water spotting on stainless steel finish.

Adhesives

1. Remove adhesive residue from refrigerator surfaces by rubbing toothpaste into adhesive with fingers until adhesive loosens.
2. Rinse surface with warm water. Dry surface with a soft, clean cloth.

Door Gaskets

1. Clean door gaskets every 3 months according to General Cleaning instructions. Clean any spills immediately.

Condenser Coil

Clean condenser coil behind toe grille every 3 months to ensure maximum performance of refrigerator.

Accumulated dust and lint may cause the following:

- reduced cooling performance
 - increased energy usage
 - premature part failure
1. Remove toe grille by holding ends and pulling away from refrigerator.
 2. Clean front surface of condenser coil with a vacuum cleaner hose nozzle.
 3. Replace toe grille by inserting clips in holes and snapping in. See *Leveling Refrigerator* section.
 4. Raise stabilizing legs (some models) by turning counterclockwise.



CAUTION

Protect soft vinyl or other flooring with cardboard, rugs or other protective material to avoid property damage.

5. Pull refrigerator away from wall. Run a vacuum brush across grille on back of refrigerator.

Glass Shelves



CAUTION

Handle tempered glass shelves carefully to avoid personal injury or property damage. Shelves may break suddenly if nicked, scratched, or exposed to sudden temperature change.

Remove shelf by lifting front, releasing hooks from metal track then pulling out. Place shelf on a towel. Allow shelf to adjust to room temperature before cleaning.

Clean crevices by completing the following:

1. Dilute mild detergent and brush solution into crevices using a plastic bristle brush. Let sit for 5 minutes.
2. Spray warm water into crevices using faucet spray attachment.
3. Dry shelf thoroughly and replace shelf by inserting hooks into metal track and lowering it from the front.

Odor Removal

1. Remove all food and disconnect power to refrigerator.
2. Clean all interior surfaces including ceiling, floor, and walls according to General Cleaning instructions above. Pay special attention to corners, crevices, and grooves. Include all drawers, shelves, and gaskets.
3. Connect power to refrigerator and return food to refrigerator. Wash and dry all containers. Wrap foods in tightly sealed containers to prevent further odor.

- After 24 hours, check if odor has been eliminated. Complete steps 4–9 if odor has not been eliminated.
- With unit unplugged, place crispers on top shelf of refrigerator section. Pack refrigerator and freezer sections, including doors, with crumpled sheets of newspaper.
 - Place charcoal briquettes randomly throughout newspaper.
 - Close doors and let stand 24–48 hours.
 - Remove charcoal briquettes and newspapers.
 - Complete steps 2–3.

If odor is still not eliminated, contact a customer service representative with the number located in the Model Identification section.

Light Bulb Replacement

WARNING

Disconnect power to refrigerator before replacing light bulb to avoid electrical shock which can cause severe personal injury or death. After replacing light bulb, restore power.

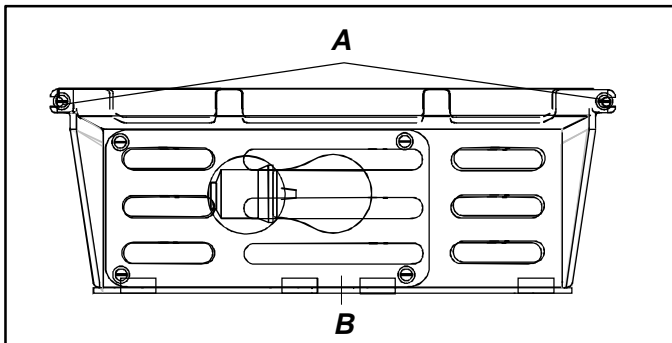
CAUTION

Observe the following to avoid personal injury or property damage.

- Allow light bulbs to cool
- Wear gloves when replacing light bulb.

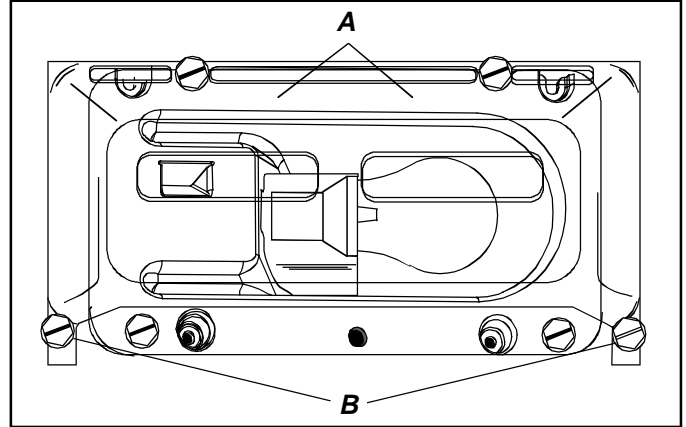
Fresh Food Light

- Remove light bulb cover (**B**) by removing ¼" hex nut screws (**A**). Replace with appliance bulb **no greater than 60 watts**.
- Replace light bulb cover by replacing ¼" hex nut screws.



Freezer Light

- Remove light bulb cover (**B**) by removing ¼" hex nut screws (**A**). Replace with appliance bulb **no greater than 60 watts**.
- Replace light bulb cover by replacing ¼" hex nut screws.



Vacation Tips

Complete the following steps for short vacations.

- Remove perishable foods.
- If an ice maker is installed, move ice maker arm to *Off* position. (See "Automatic Ice Maker" section page 12)

Complete the following steps for long vacations.

- Empty refrigerator and freezer sections.
- Unplug refrigerator.
- Clean refrigerator and door gaskets according to General Cleaning instructions in "Care and Cleaning" section.
- Prop doors open, so air can circulate inside.
- If an ice maker is installed, turn off water supply to refrigerator and move ice maker arm to *Off* position. (See "Automatic Ice Maker" section page 12)

Energy Tips

This refrigerator is designed to be one of the most energy efficient refrigerators available. Reduce energy use by observing the following.

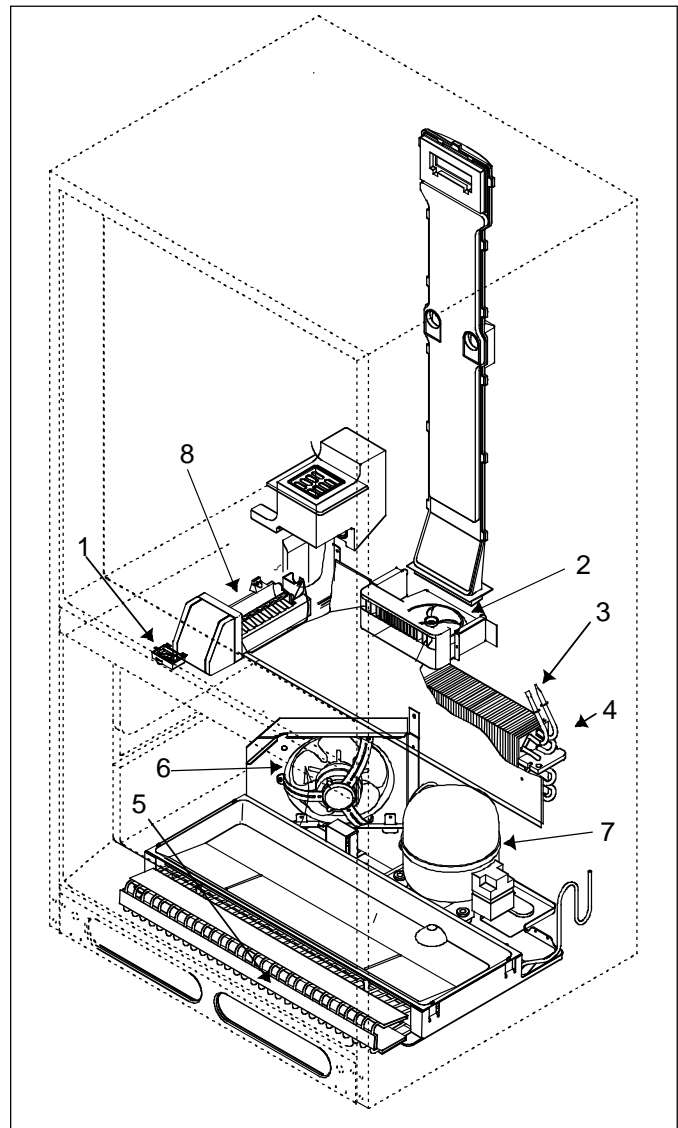
- Operate in normal household temperatures of 55° to 110°F (13° to 43°C) away from heat sources and direct sunlight.
- Set refrigerator, freezer, and temperature controlled meat drawer system controls no colder than necessary.
- Keep freezer section full.
- Keep door gaskets clean and pliable. Replace gaskets if worn.
- Keep condenser coils clean.

Normal Operating Sounds

This new refrigerator may be replacing a differently designed, less efficient or smaller refrigerator. Today's refrigerators have new features and are more energy efficient. As a result, certain sounds may be unfamiliar. These sounds are normal and will soon become familiar to you. They also indicate refrigerator is operating and performing as designed.

1. **Freezer control** clicks when starting or stopping compressor.
2. **Freezer fan** air rushes and whirs.
3. **Sealed system** (evaporator and heat exchanger) refrigerant flow gurgles, pops or sounds like boiling water.
4. **Defrost heater** sizzles, hisses or pops.
5. **Defrost timer** sounds like an electric clock and snaps in and out of defrost cycle.
6. **Condenser fan** air rushes and whirs.
7. **Compressor** has a high pitched hum or pulsating sound and cycles on and off.
8. **Ice cubes** from ice maker (some models) drop into ice bucket.
9. **Ice maker water valve hookup** (some models) buzzes when ice maker fills with water. This occurs whether or not refrigerator is connected to water supply. If refrigerator is not connected to water supply, stop sound by raising ice maker arm to *Off* position. Ice maker water valve hookup is located behind condenser fan in back of refrigerator.

Note: Foam insulation is very energy efficient and has excellent insulating capabilities. However, foam insulation is not as sound absorbent as previously used fiberglass insulation.



Before Calling For Service

Problem	Solution
Refrigerator does not operate.	<ul style="list-style-type: none"> • Make sure freezer control is on. • Make sure refrigerator is plugged in. If not, firmly plug the cord into a live outlet with proper voltage. • Check fuse or circuit breaker. Plug in another item at that wall outlet. If outlet does not work, replace the fuse or reset the circuit. • If freezer control is on, light works but 2 fans and compressor are not operating, refrigerator may be in defrost cycle. Wait 40 minutes to see if refrigerator restarts.
Refrigerator still will not operate.	<ul style="list-style-type: none"> • Unplug refrigerator. Transfer food to another refrigerator or place dry ice in freezer section to preserve food. Call for service.
Food temperature appears too warm.	<ul style="list-style-type: none"> • See above sections. • Allow time for recently added warm food to reach refrigerator or freezer temperature. Adding food warms the refrigerator. It can take a few hours for the refrigerator to return to normal temperature. • Check gaskets for proper seal. Gaskets should seal tightly to cabinet. • Clean condenser coil. See “Condenser Coil” instructions in “Care and Cleaning” section. • Adjust refrigerator and or freezer control. See “Setting Controls” instructions in “Controls” section. • Freezer or refrigerator light stays on. If light stays on, call service. • Return air vents behind crisper are blocked restricting airflow. Locate return air vent behind crispers and remove any debris that blocks vents or restricts airflow.
Chiller Fresh™ System temperature is too warm.	<ul style="list-style-type: none"> • Slide control to colder setting. • Adjust freezer control to colder setting. See “Setting Controls” instructions of “Controls” section. • Verify Chiller Fresh™ System cap has been moved if drawer has been moved from left to right side of cabinet. See “Chiller Fresh™ System” section.
Food temperature is too cold.	<ul style="list-style-type: none"> • Clean condenser coil. See “Condenser Coil” instructions in “Care and Cleaning” section. • Adjust refrigerator control. See “Setting Controls” instructions in “Controls” section. • Adjust freezer control to warmer setting. See “Setting Controls” instructions in “Controls” section. Allow several hours for temperature to adjust. • Verify plastic cap is in place near Chiller Fresh™ System. See “Chiller Fresh™ System” section.
Refrigerator runs too frequently.	<ul style="list-style-type: none"> • It may be normal to maintain constant temperature. • Doors have been opened frequently or for an extended period of time. When the door is opened warm humid air is allowed into the refrigerator. The more the door is opened the more warm air the refrigerator must cool. • Allow time for recently added warm food to reach refrigerator or freezer temperature. It can take a few hours for the refrigerator to return to normal temperature. • Clean condenser coil. See “Condenser Coil” instructions in “Care and Cleaning” section. • Adjust freezer control. See “Setting Controls” instructions in “Controls” section. • Check gaskets for proper seal. Gaskets should seal tightly to cabinet. • Freezer light stays on. If light stays on, call service • Make sure refrigerator is level. See “Leveling Refrigerator” section of Installation Instructions.

Problem	Solution
Water droplets form on inside of refrigerator.	<ul style="list-style-type: none"> It is normal during high humidity periods or if doors have been opened frequently. Wrap food tightly and wipe off damp containers prior to storing in the refrigerator to avoid moisture accumulation.
Water droplets form on outside of refrigerator.	<ul style="list-style-type: none"> Check door seals for proper seal. Gaskets should seal tightly to cabinet. It is normal during high humidity periods or if doors have been opened frequently.
Chiller Fresh™ System or crisper drawer does not close freely (some models).	<ul style="list-style-type: none"> Check for a package that may prevent drawer from closing properly. Confirm drawer is in proper position. Clean drawer channels with warm, soapy water. Rinse and dry thoroughly. Apply a thin layer of petroleum jelly to drawer channels. Confirm refrigerator is level.
Refrigerator has an odor.	<ul style="list-style-type: none"> See “Odor Removal” instructions in “Care and Cleaning” section.
Refrigerator makes unfamiliar sounds or seems too loud.	<ul style="list-style-type: none"> It may be normal. See “Normal Operating Sounds” section.
Ice cubes have an odor.	<ul style="list-style-type: none"> See “Odor Removal” instructions in “Care and Cleaning” section. Ice maker was recently installed. Discard first few batches of ice to avoid discolored or off-flavored ice. Food has not been wrapped tightly in either refrigerator or freezer compartment. Rewrap foods since odors may migrate to the ice if food is not wrapped properly. Discard ice and clean ice bucket or trays more frequently. Ice cubes are porous and absorb odors easily. Water supply contains minerals such as sulfur. In some situations a filter may need to be installed to eliminate taste and odor problems.
Ice cubes stick together or “shrink”.	<ul style="list-style-type: none"> Empty ice cube bucket or trays more frequently. If used infrequently, ice cubes may stick together or shrink.
Ice maker is not producing ice.	<ul style="list-style-type: none"> Water pressure may be too low or high. Ice maker requires a water pressure of 20-100 psi to function properly. Confirm ice maker arm is down. See “Automatic Ice Maker” section. Confirm household water supply is reaching water valve. Make sure the water valve shut off is fully turned on. Piercing type or $\frac{3}{16}$” saddle valve was used for hookup. Both reduce water flow and may become clogged with time. Replace these valves with correct type of saddle valve requiring $\frac{1}{4}$” hole to be drilled in water supply pipe prior to valve attachment. Confirm ice maker wiring harness is inserted completely in proper holes. Check for kinks in copper or plastic tubing. Remove kinks or replace tubing. Check electrical connections to water valve coil and connector block on refrigerator cabinet. If a water filter has been installed on the water line outside the refrigerator, check the filter for clogs or improper installation of the filter.
Ice maker is not producing enough ice.	<ul style="list-style-type: none"> Ice maker has just recently been installed or a large amount of ice has just been used. Wait 24 hours for ice production to begin and for ice maker to restock after emptied. Confirm household water supply is reaching water valve. Make sure the water valve shut off is fully turned on. Piercing type or $\frac{3}{16}$” saddle valve was used for hookup. Both reduce water flow and may become clogged with time. Replace these valves with correct type of saddle valve requiring $\frac{1}{4}$” hole to be drilled in water supply pipe prior to valve attachment. Check for kinks in copper or plastic tubing. Remove kinks or replace tubing. Confirm freezer section is operating at proper temperature and that freezer is, at least, half-full. Freezer must be cold enough to produce ice. See “Setting Controls” section.
Ice forms in inlet tube to ice maker.	<ul style="list-style-type: none"> Check water pressure. Low water pressure causes valves to leak. Piercing type or $\frac{3}{16}$” saddle valve was used for hookup. Both reduce water flow and may become clogged with time. Replace these valves with correct type of saddle valve requiring $\frac{1}{4}$” hole to be drilled in water supply pipe prior to valve attachment.

Warranty

Full One Year Warranty Full Five Year Warranty on Sealed System Components and Food Compartment Liner

First Year

Amana Appliances will repair or replace, free of charge, any part which is defective due to workmanship or materials.

Second through Fifth Year

Amana Appliances will replace, free of charge, any sealed system component (compressor, condenser, evaporator, drier, and interconnecting tubing) and repair any food compartment liner (exclusive of door liner) which is defective due to workmanship or materials.

Warranty Limitations

- Begins at date of original purchase.
- Applies to product used within the United States or in Canada if product has Canadian Standards Association listing when shipped from the factory.
- Service must be performed by an **authorized** Amana technician.

Warranty Is Void If

- Serial plate is defaced.
- Product is used on a commercial, rental or leased basis.
- Product has defect or damage due to product accident, alteration, connection to an improper electrical supply, fire, flood, lightning, or other conditions beyond the control of Amana Appliances.
- Product is improperly installed or used.

Owner's Responsibilities

- Provide proof of purchase (sales receipt).
- Provide normal care and maintenance. Replace owner replaceable items where directions appear in Owner's Manual.
- Make product reasonably accessible for service.
- Pay premium service costs for service outside technician's normal business hours.
- Pay for service calls related to product installation or usage.

In no event shall Amana Appliances be liable for incidental or consequential damages including food loss*

* This warranty gives you specific legal rights and you may have others which vary from state to state. For example, some states do not allow the exclusion or limitation of incidental or consequential damages so this exclusion may not apply to you.

Amana Appliance L.C.
2800 220th Trail
Amana, IA 52204-0001
1-800-843-0304 or 1-319-622-5511
www.amana.com

Contenido

Piezas y accesorios	24
Requerimientos eléctricos	24
Identificación del modelo	24
Servicio	25
Plan de servicio extendido Asure™	25
Forma apropiada de desechar su refrigerador	25
Requerimientos de espacio	25
Instrucciones para los modelos con puerta articulada	26
Remoción de las puertas y las bisagras	26
Para invertir las puertas	26
Para volver a colocar las puertas	27
Instrucciones para los modelos de cajón deslizable del congelador	28
Para quitar la puerta y las bisagras del refrigerador	28
Para invertir la puerta	28
Para volver a colocar la puerta del refrigerador	29
Para quitar y reemplazar el cajón deslizable y la pata estabilizadora	29
Conexión para la línea de suministro de agua de la máquina de hielos (en algunos modelos)	31
Nivelación del refrigerador	32
Models con puerta articulada	32
Models con cajón deslizable del congelador	32
Lista de verificación de la instalación	33
Controles	34
Controles del alimentos frescos y congelador	34
Ajuste de los controles	34
Características de la sección alimentos frescos	34
Repisas de la sección alimentos frescos	34
Organizador de bebidas	35
Cajón ajustable Deli Drawer™ (en algunos modelos)	35
Cajones para verduras Garden Fresh™ (en algunos modelos)	35
El Cajón del sistema Chiller Fresh™ (en algunos modelos)	36
Compartimiento para botellas (en algunos modelos)	37
Compartimiento cubierto para almacenamiento (en algunos modelos)	37
Compartimiento para productos lácteos (en algunos modelos)	37
Compartimientos de la puerta	37
Depósito para paquetes altos	37
Repisas de la puerta	38
Separador ajustable (en algunos modelos)	38
Portabotellas	38
Características del congelador	38
Sistema sin escarcha (Frost-Free)	38
Máquina de hielo automática (en algunos modelos)	38
Rejilla de servicio de hielo (en algunos modelos)	39
Repisa deslizable (en algunos modelos)	39
Separador vertical de repisa (en algunos modelos)	39
Repise de alambre (en algunos modelos)	39
Canasta de alambre (en algunos modelos)	39
Depósito de hielo (en algunos modelos)	40
Separador de canasta vertical (en algunos modelos)	40
Compartimiento inclinado (en algunos modelos)	40
Canastas deslizables de cajón (en algunos modelos)	40
Protector de hielo (en algunos modelos)	40
Cuidado y limpieza	41
Generalidades	41
Limpieza del acero inoxidable	41
Adhesivos	41
Empaques de la puerta	41
Serpentin del condensador	41
Repisas de vidrio	41
Eliminación de olores	42
Reemplazo de focos	42
Sugerencias para las vacaciones	42
Surgencias para conservar energía	43
Sonidos normales de funcionamiento	43
Antes de llamar para solicitar servicio	44
Garantía	46

Nota: La traducción algunas veces puede causar variaciones en el significado. En todos los casos cuando el significado varíe, el más preciso será el de la versión en inglés de este documento.



Reconozca este símbolo como precaución de seguridad.

Piezas y accesorios

La compra de piezas de repuesto y accesorios adicionales (como: repisas de refrigerador,) se puede hacer por teléfono. Si desea pedir accesorios para su producto Amana llame al teléfono 1-800-843-0304 dentro de los EE.UU., o al 1-319-622-5511 fuera de los EE.UU. También puede comunicarse con nosotros mediante la web en www.amana.com.

Requerimientos eléctricos



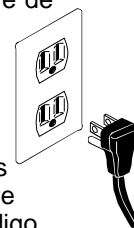
ADVERTENCIA

Para evitar descargas eléctricas que pueden causar lesiones personales graves o la muerte, no corte ni elimine la punta redonda de conexión a tierra del enchufe. El refrigerador debe estar conectado a tierra en todo momento. No quite el rótulo de advertencia del cordón eléctrico.

No utilice un adaptador de dos puntas.

No utilice un cable de extensión.

Este refrigerador está equipado con un enchufe de tres puntas (para conexión a tierra) para proveer protección contra posibles riesgos de descargas eléctricas. Si tiene un tomacorriente de dos orificios, comuníquese con un electricista calificado para que reemplace este tomacorriente de pared de dos orificios por otro de tres orificios correctamente conectado a tierra, en conformidad con el Código Eléctrico Nacional. Este refrigerador ha sido diseñado para que funcione con una línea separada de 103 a 126 voltios, 15 amperios y 60 ciclos.



Identificación del modelo

Gracias por haber comprado este refrigerador Amana. Por favor lea todo el manual del propietario. Este manual proporciona información sobre el mantenimiento adecuado. Si tiene alguna pregunta, sírvase llamar al Departamento de asuntos del consumidor al 1-800-843-0304 dentro de los EE.UU. y al 1-319-622-5511 fuera de los EE.UU. También puede comunicarse con nosotros mediante la web en www.amana.com.

Llene la tarjeta de registro y envíela lo más pronto posible. Si el refrigerador no incluye una tarjeta de registro, llame al Departamento de asuntos al consumidor.

Cuando se comunice con Amana, proporcione la información del producto. La información del producto se encuentra en la placa de datos, ubicada en el techo de la sección de alimentos frescos.

Anote la siguiente información:

Número de modelo: _____

Número de fabricación: _____

Número de serie (S/N): _____

Fecha de adquisición: _____

Nombre y dirección del distribuidor: _____

Servicio

Guarde una copia de la factura de venta para futura referencia o en caso de que necesite un servicio de garantía. Si tiene alguna pregunta o para localizar a un técnico autorizado de servicio, llame al 1-800-NAT-LSVC (1-800-628-5782) dentro de los EE.UU. o al 319-622-5511 fuera de los EE.UU, o comuníquese con nosotros en www.amana.com para obtener información. Un técnico autorizado de servicio debe efectuar el servicio de garantía. Amana también recomienda ponerse en contacto con un técnico autorizado si necesita servicio después de que caduque la garantía.

Plan de servicio extendido Asure™

Amana ofrece un servicio de protección a largo plazo para esta nueva estufa. El Plan de servicio extendido Asure™ está diseñado especialmente para complementar la excelente garantía de Amana. Este plan cubre piezas, mano de obra y gastos de transportación. Llame al 1-800-528-2682, o comuníquese con nosotros en www.amana.com para obtener información.

- Si su refrigerador tiene una máquina para hacer hielo, asegúrese de dejar espacio adicional en la parte posterior para la conexión de la línea de agua. El refrigerador puede estar al ras con la pared posterior si no instala una máquina para hacer hielo.
- Si se instala el refrigerador junto a una pared fija, deje un espacio de 2 ½" (6.35 cm) en cada lado (dependiendo del modelo) para permitir que las puertas se abran 90°.

NOTA: No instale el refrigerador junto a un horno, radiador u otra fuente de calor, ni en un área donde la temperatura bajará a menos de 55° F (13° C).

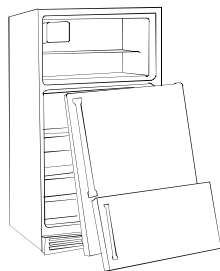
PELIGRO

Forma apropiada de desechar el refrigerador

IMPORTANTE: Los niños atrapados y asfixiados en refrigeradores no es cosa del pasado. Los refrigeradores que se arrumban o abandonan, aun cuando sea por "sólo unos cuantos días", continúan siendo un peligro. Si desecha un refrigerador viejo, sírvase seguir las siguientes instrucciones para ayudar a prevenir un accidente.

ANTES DE TIRAR SU REFRIGERADOR O CONGELADOR VIEJO:

- **Quítele las puertas.**
- **Déjele las repisas puestas para que los niños no puedan meterse fácilmente.**



Requerimientos de espacio

ADVERTENCIA

Mantenga los materiales y los vapores inflamables, como gasolina, lejos del refrigerador. El no hacerlo puede causar como resultado la muerte, una explosión, un incendio o quemaduras.

- Para asegurar la ventilación apropiada del refrigerador, deje un espacio de 1" (2.5 cm) en la parte superior del refrigerador.

Instrucciones para los modelos con puerta articulada

La instalación correcta del refrigerador asegurará el funcionamiento más eficiente.

Amana no se puede hacer responsable de una instalación incorrecta.

Aviso de servicio: Sólo para los modelos con puerta contorneada

Solamente un técnico calificado de servicio puede invertir esta puerta. Para que las inviertan, llame al 1-800-843-0304. Se impone un cargo por este servicio.

Herramientas necesarias

Espátula	Destornillador hexagonal de tuercas de $\frac{5}{16}$ "
Cinta adhesiva	Destornillador hexagonal de tuercas de $\frac{3}{8}$ "
Destornillador Phillips	Destornillador hexagonal de tuercas de $\frac{1}{4}$ "
Destornillador hexagonal de tuercas de $\frac{1}{4}$ "	Destornillador hexagonal de tuercas de $\frac{3}{8}$ "

IMPORTANTE:

- Conserve todos los tornillos para volver a usarlos.
- Para quitar el tapón cuando se requiera usar una espátula, **la hoja debe estar cubierta con cinta masking para evitar dañar el acabado del refrigerador.** Para los tapones que usan un destornillador o una llave para tuercas, use la herramienta apropiada para evitar dañar los tapones.

Remoción de las puertas y las bisagras

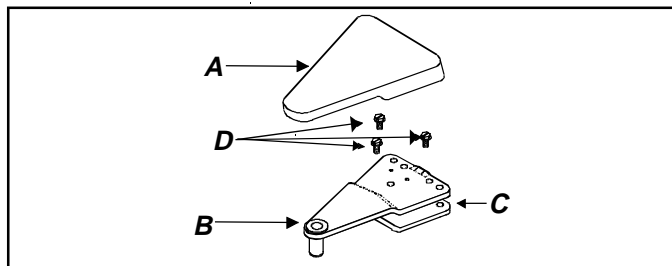
Algunas instalaciones podrían requerir la remoción de la puerta y la bisagra para transportar la unidad a la ubicación final.



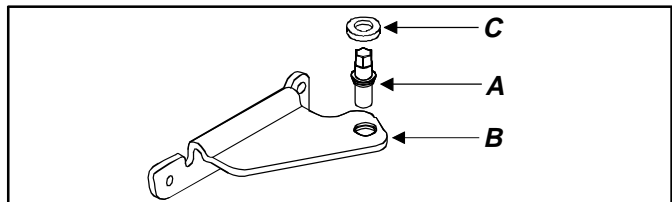
ADVERTENCIA

Desconecte la corriente eléctrica del refrigerador antes de quitar las puertas para evitar descargas eléctricas que pueden causar lesiones personales graves o la muerte. Después de volver a colocar las puertas, conecte la corriente eléctrica.

1. Quite la cubierta de la bisagra superior (A). La cubierta de la bisagra superior se saca de golpe. Mientras sostiene la puerta del refrigerador, quite la bisagra superior (B) y el adorno (C) usando una llave para tuercas hexagonales de $\frac{5}{16}$ " para quitar los tornillos (D).

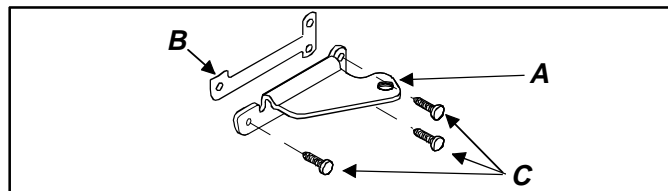


2. Levante y saque la puerta de la bisagra central de la puerta.
3. Levante y saque la articulación de la puerta (A) del pasador de la bisagra central (B) usando una llave para tuercas hexagonales de $\frac{5}{16}$ ". Quite y conserve todos los espaciadores de las arandelas redondas (C—algunos modelos).



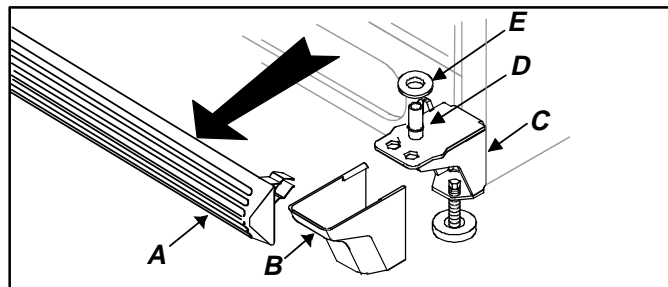
4. Quite la puerta del congelador levantándola y sacándola de la bisagra inferior.

5. Quite la bisagra central (A) y el adorno (B) quitando los tornillos (C) con el destornillador Phillips.



6. Quite la parrilla inferior (A) y la cubierta de la bisagra inferior (B). Ambas se sueltan.

7. Quite la bisagra inferior y el espaciador (C) con la llave para tuercas hexagonales de $\frac{3}{8}$ ". Quite el pasador de la bisagra (D). Quite y conserve todos los espaciadores de la arandelas redondas (E), si hay alguna.



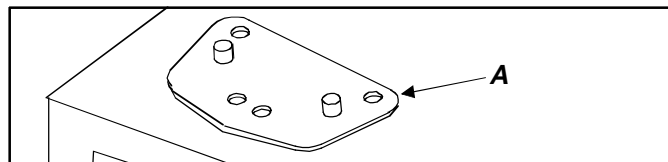
Para invertir las puertas

Algunas instalaciones pueden requerir que las puertas se tengan que invertir para que abran complemente. Para invertir la dirección en la que abren las puertas siga los pasos a continuación:

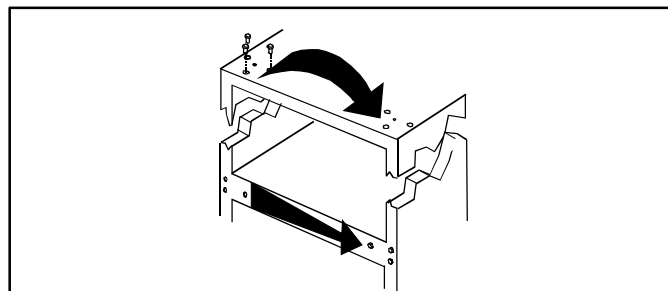
Aviso de servicio: Sólo para los modelos con puerta contorneada

Solamente un técnico calificado de servicio puede invertir esta puerta. Para que las inviertan, llame al 1-800-843-0304. Se impone un cargo por este servicio.

1. Siga todas las instrucciones de la sección **Remoción de las puertas y las bisagras**.
2. Desprenda el lado positivo de la cuña de la parte superior de la unidad (A). **NOTA:** Mantenga la superficie adhesiva de la cuña libre de tierra y polvo hasta que esté lista para volver a colocarla. Si se ensucia la superficie adhesiva no podrá volver a instalarse apropiadamente.

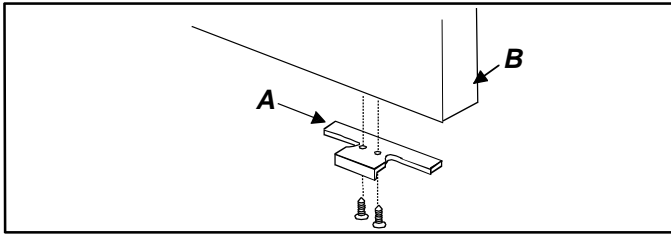


3. Transfiera tres tapones del gabinete de la esquina superior del gabinete a los orificios que quedaron al quitar la bisagra superior.
4. Transfiera tres tornillos de cabeza hexagonal de $\frac{5}{16}$ " opuesta a los orificios que quedaron al quitar la bisagra central.



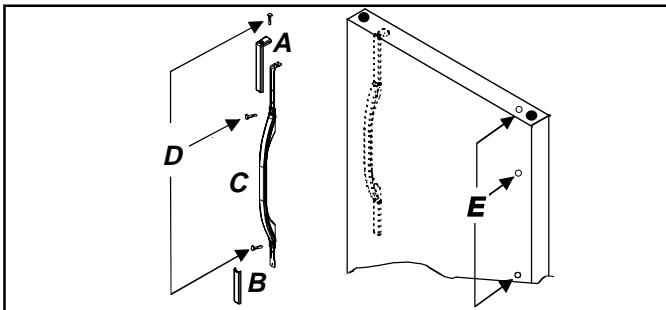
Remoción de los topes de la puerta

1. Destornille dos tornillos Phillips y quite el tope de la puerta (**A**) de la puerta del refrigerador y del congelador (**B**). Conserve todos los tornillos para volver a colocar el tope de la puerta.



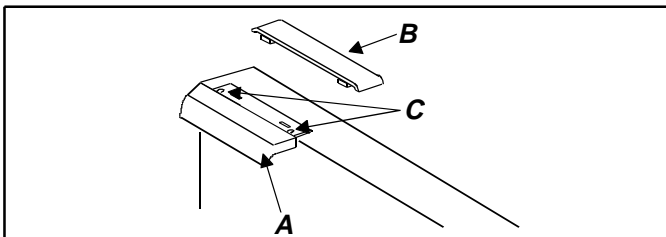
Invierta el asa (diseño montado por el frente)

1. Quite el tornillo del asa del adorno del asa (**A**). Saque a presión el borde del adorno del asa (**A y B**) usando una hoja de una espátula recubierta con cinta adhesiva protectora. Quite el asa (**C**) de la puerta quitándole el tornillo restante de montaje de cada extremo del asa (**D**).
2. Quite los tapones de la puerta del lado de la bisagra (**E**). Vuelva a colocar los tapones en los orificios vacíos de montaje.
3. Monte el asa del refrigerador (**C**) en el lado opuesto de la puerta usando los tornillos de montaje que se quitaron en el paso anterior.
4. Coloque a presión el asa del refrigerador (**A y B**) en su lugar y vuelva a colocar el tornillo en la parte superior del asa.

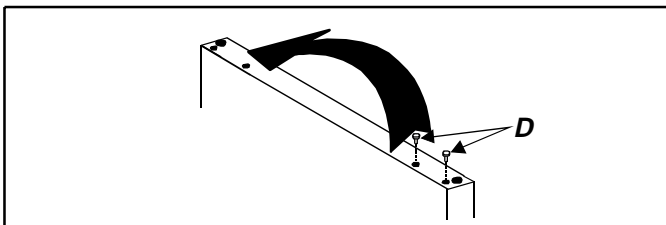


Inversión del asa del congelador

1. Localice las dos muescas en la parte posterior del asa del congelador (**A**). Inserte la hoja de una espátula recubierta con cinta adhesiva protectora. Saque a presión la parte posterior de la tapa del asa (**B**) y quítela.
2. Quite el asa de la puerta quitándole los tornillos (**C**).



3. Transfiera los tapones (**D**) del lado opuesto de la puerta del congelador a los orificios vacíos de montaje.

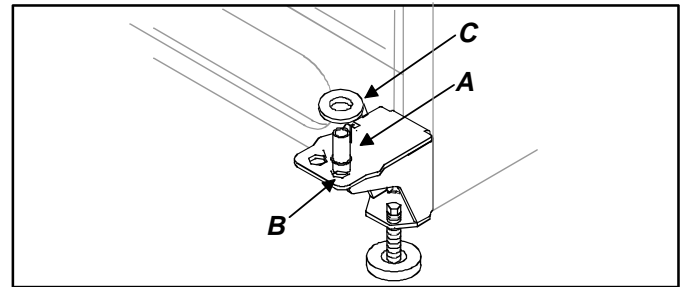


Reemplazo del tope de la puerta

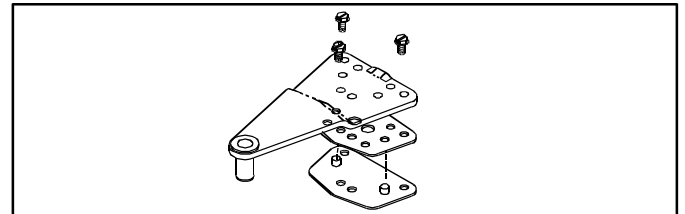
1. Monte el lado opuesto del asa del tope de la puerta en la cara inferior la puerta.

Para volver a colocar las puertas

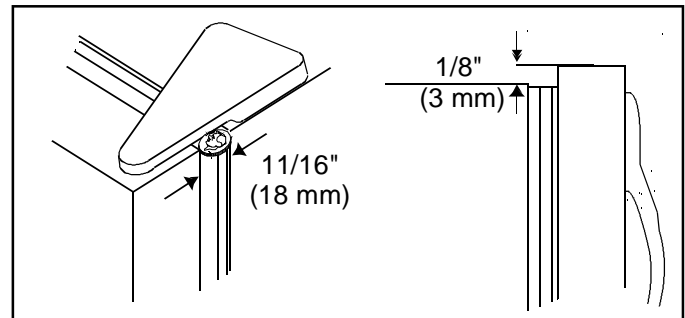
1. Vuelva a colocar la bisagra inferior y las cuñas con los tornillos hexagonales de $\frac{3}{8}$ " que quedaron al quitar la bisagra.
2. Vuelva a colocar el pasador de la bisagra inferior (**A**) en el orificio del soporte de la bisagra (**B**) hacia afuera del gabinete. Vuelva a colocar todas las cuñas de la lavadora (**C en algunos modelos**).



3. Coloque de nuevo la bisagra central y las cuñas con los tornillos Phillips que quedaron al quitar la bisagra.
4. Coloque la puerta del congelador en el pasador de la bisagra inferior.
5. Coloque de nuevo el pasador de la bisagra central con un destornillador hexagonal de $\frac{5}{16}$ ". Asegúrese que quede bien ajustado. Coloque de nuevo todas las cuñas de las arandelas (**en algunos modelos**).
6. Ensamble la bisagra superior, la cuña de la bisagra y acomode la cuña. Sujétela sin apretarla en el lado opuesto del gabinete para que quede espacio en la puerta.



7. Coloque la puerta del refrigerador en la bisagra central. Apriete la bisagra superior para que quede sujeta con firmeza a la puerta.
8. Use una moneda pequeña en la parte superior para separar la puerta $\frac{11}{16}$ " (18 mm) del gabinete. El lado de la puerta del asa debe estar aproximadamente $\frac{1}{8}$ " (3 mm) más alto que el lado de la bisagra. **La puerta quedará nivelada cuando se cargue con los alimentos.**



9. Coloque de nuevo la cubierta de la bisagra.

Nota: Si se requiere el suministro de agua para la máquina de hielo, proceda con la sección *Conexión de la línea de suministro de agua a la máquina de hielo*. Si no es así, proceda con la sección titulada *Nivelación del refrigerador*.

Instrucciones para los modelos de cajón deslizante del congelador



La instalación correcta del refrigerador asegurará el funcionamiento más eficiente.

Amana no se puede hacer responsable de una instalación incorrecta.

Herramientas necesarias

Destornillador T-15 Torx™

Destornillador hexagonal de tuercas de 3/8"

Cinta adhesiva

Desarmador Phillips

Desarmador hexagonal de tuercas de 5/16"

Espátula

IMPORTANTE:

- Conserve todos los tornillos para volver a usarlos.
- Para quitar el tapón cuando se requiera usar una espátula, **la hoja debe estar cubierta con cinta masking para evitar dañar el acabado del refrigerador.** Para los tapones que usan un destornillador o una llave para tuercas, use la herramienta apropiada para evitar dañar los tapones.

Para quitar la puerta y las bisagras del refrigerador

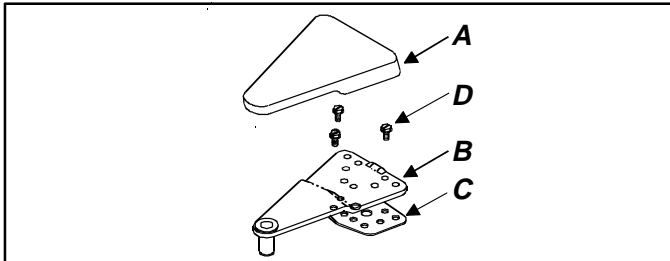
Algunas instalaciones podrían requerir la remoción de la puerta para transportar la unidad a la ubicación final.



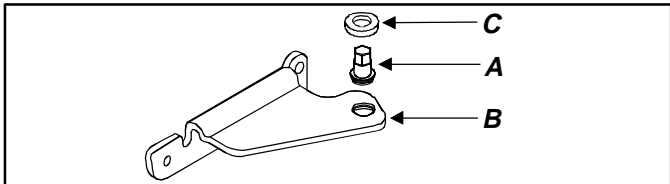
ADVERTENCIA

Desconecte la corriente eléctrica del refrigerador antes de quitar las puertas para evitar descargas eléctricas que pueden causar lesiones personales graves o la muerte. Después de volver a colocar las puertas, conecte la corriente eléctrica.

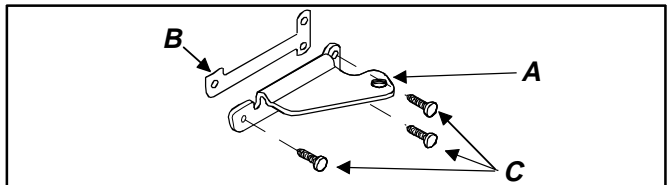
1. Quite la cubierta de la bisagra superior (A). La cubierta de la bisagra superior se saca de golpe. Mientras sostiene la puerta del refrigerador, quite la bisagra superior (B) y el adorno (C) usando una llave para tuercas hexagonales de 5/16" para quitar los tornillos (D).



2. Levante y saque la puerta de la bisagra central de la puerta.
3. Quite el pasador de la bisagra central (A) del soporte de la bisagra central (B) con una llave para tuercas hexagonales de 9/32". Quite y conserve todos los espaciadores de las arandelas redondas (C—some models).



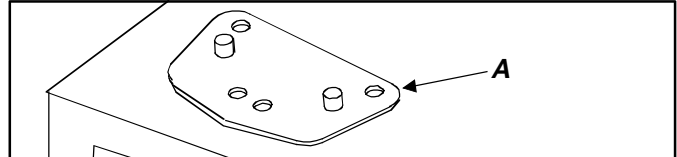
4. Quite el soporte de la bisagra central (A) y el espaciador (B) quitando los tornillos (C) con el destornillador Phillips.



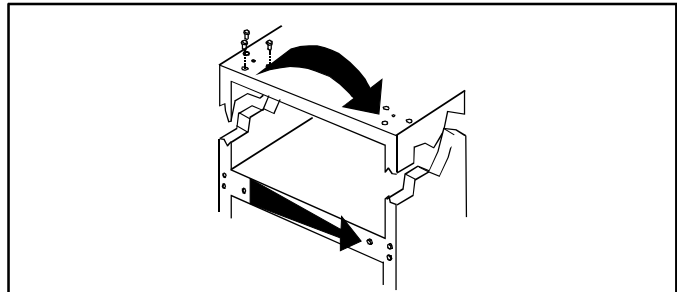
Para invertir la puerta

Algunas instalaciones pueden requerir que las puertas se tengan que invertir para que abran complemente. Para invertir la dirección en la que abren las puertas siga los pasos a continuación.

1. Siga todas las instrucciones de la sección **Remoción de la puerta de refrigerador y las bisagras.**
2. Desprenda el lado positivo de la cuña de la parte superior de la unidad (A). **NOTA:** Mantenga la superficie adhesiva de la cuña libre de tierra y polvo hasta que esté lista para volver a colocarla. Si se ensucia la superficie adhesiva no podrá volver a instalarse apropiadamente.

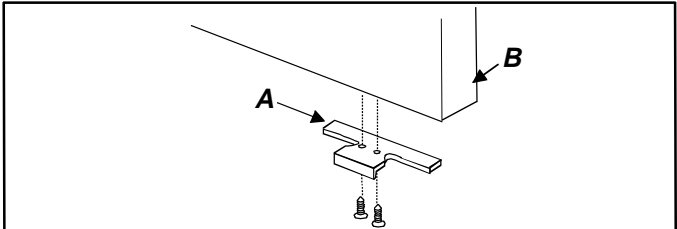


3. Transfiera tres tapones del gabinete de la esquina superior del gabinete a los orificios que quedaron al quitar las bisagra superior.
4. Transfiera tres tornillos de cabeza hexagonal de 5/16" opuesta a los orificios que quedaron al quitar la bisagra central.



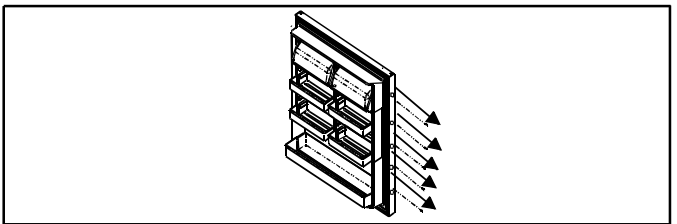
Remoción de los topes de la puerta

1. Destornille dos tornillos Phillips y quite el tope de la puerta (A) de la puerta (B). Conserve todos los tornillos para volver a colocar el tope de la puerta.

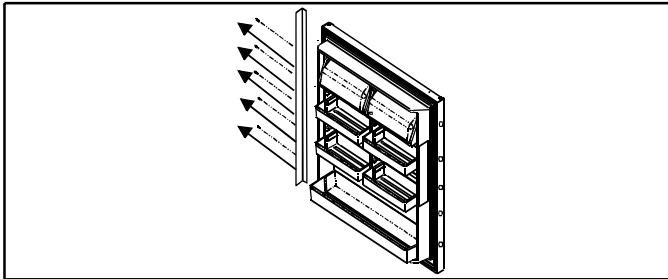


Inversión del asa

1. Quite los tapones del borde de la puerta. Consérvelos para volver a usarlos más adelante.



2. Quite los tornillos Torx™ del borde de la puerta. Consérvelos para volver a usarlos más adelante.



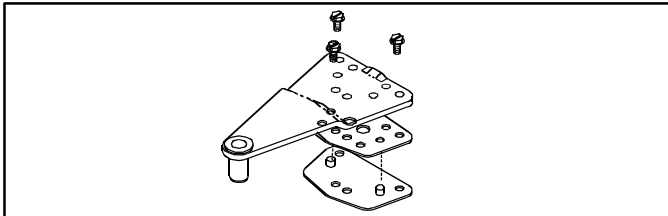
3. Monte el asa en el lado opuesto de la puerta usando los tornillos de la remoción.
4. Coloque los tapones en el borde de la puerta del lado opuesto al asa.

Reemplazo del tope de la puerta

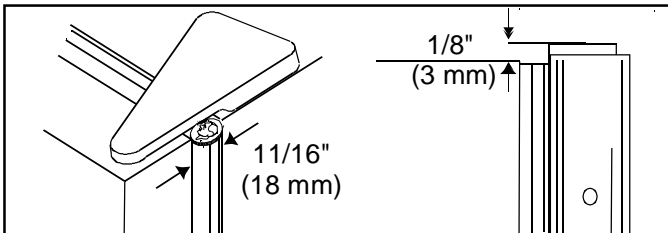
1. Monte el tope de la puerta en el lado opuesto al asa en la cara inferior de la puerta.

Para volver a colocar la puerta del refrigerador

1. Coloque de nuevo la bisagra central y las cuñas con los tornillos Phillips que quedaron al quitar la bisagra.
2. Coloque de nuevo el pasador de la bisagra con un destornillador hexagonal de $\frac{5}{16}$ ". Asegúrese que quede bien ajustado. Coloque de nuevo todas las cuñas de las arandelas redondas (en algunos modelos).
3. Ensamble la bisagra superior, la cuña de la bisagra y acomode la cuña. Sujétela sin apretarla en el lado opuesto del gabinete para que quede espacio en la puerta.



4. Coloque la puerta del refrigerador en la bisagra central. Apriete la bisagra superior para sostener con firmeza la puerta.
5. Use una moneda pequeña para separar la puerta $\frac{11}{16}$ " (18 mm) del gabinete. El lado de la puerta del asa debe estar aproximadamente $\frac{1}{8}$ " (3 mm) más alto que el de la bisagra. **La puerta se nivelará cuando se cargue con los alimentos.**



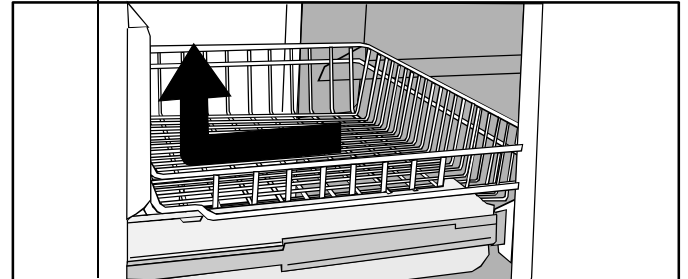
6. Coloque nuevamente la cubierta de la bisagra.

Nota: Si se requiere el suministro de agua para la máquina de hielo, proceda con **Conexión de la línea de suministro de agua a la máquina de hielo**. Si no es así, proceda con la sección titulada **Nivelación del refrigerador**.

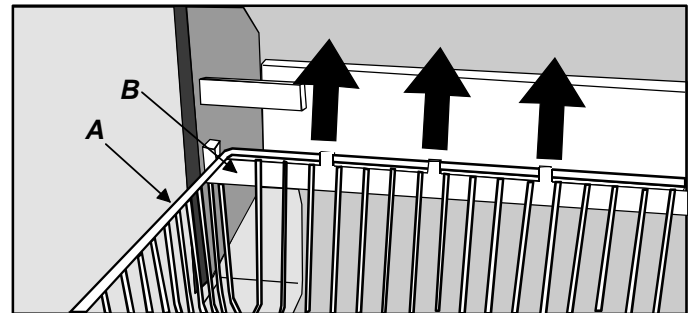
Para quitar y reemplazar el cajón deslizante y la pata estabilizadora

Para quitar el cajón del congelador

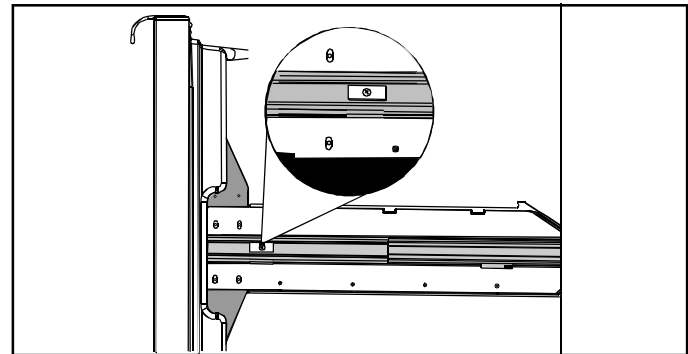
1. Abra el cajón del congelador completamente.
2. Saque todos los artículos de las canastas.
3. Deslice la canasta superior de alambre completamente hacia afuera y levántela para sacarla.



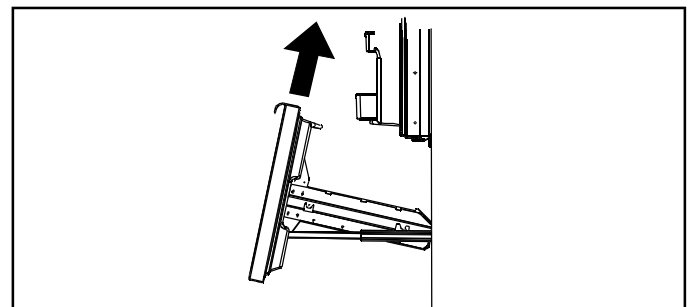
4. Saque la canasta inferior (A) levantándola de las guías de los rieles (B).



5. Quite el tornillo Phillips de cada lado del ensamble del riel del cajón. **NO** quite los tornillos hexagonales del ensamble del riel.

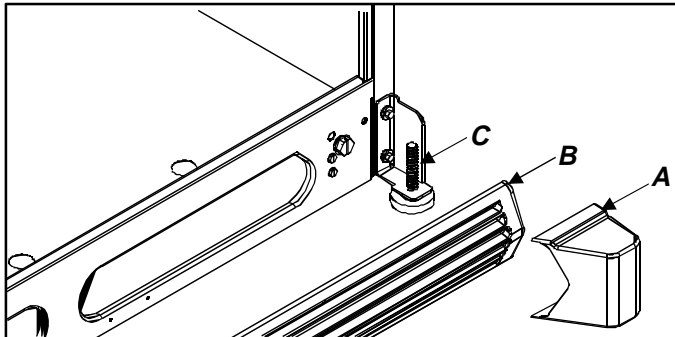


6. Levante el asa delantera del cajón del congelador para desenganchar los ganchos del riel del cajón del interior del ensamble del riel. Levante el ensamble del cajón para sacarlo.



Instrucciones opcionales si existen problemas de espacio libre para transportarla

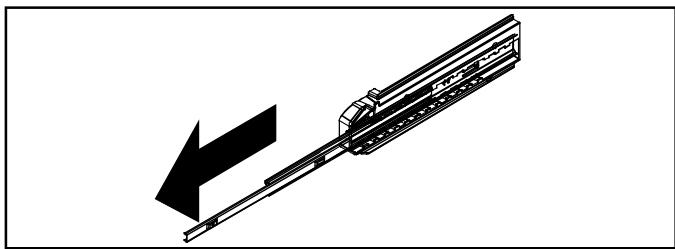
1. Quite las dos cubiertas de las patas estabilizadoras (A) y la parrilla inferior (B). Ambas se salen.
2. Quite los dos soportes estabilizadores (C) con un destornillador hexagonal de $\frac{3}{8}$ ".



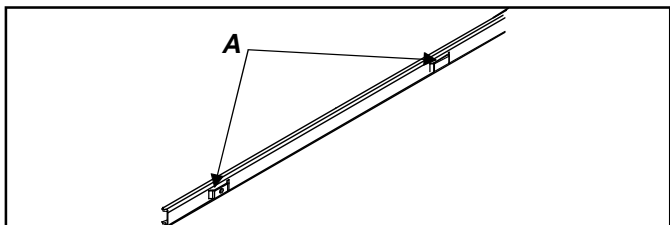
Para volver a colocar el cajón del congelador

IMPORTANTE: Podría ser necesario que dos personas realizaran el siguiente procedimiento.

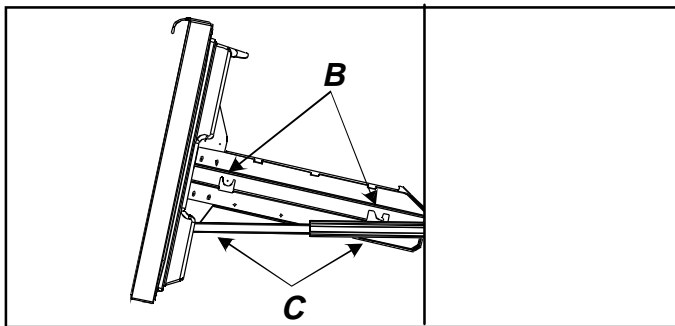
1. Extienda completamente los ensamblajes de los rieles interiores a cada lado del gabinete.



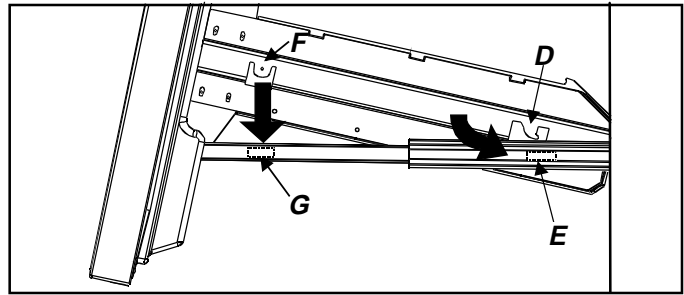
2. Localice las muescas (A) en ambas extensiones de los rieles interiores.



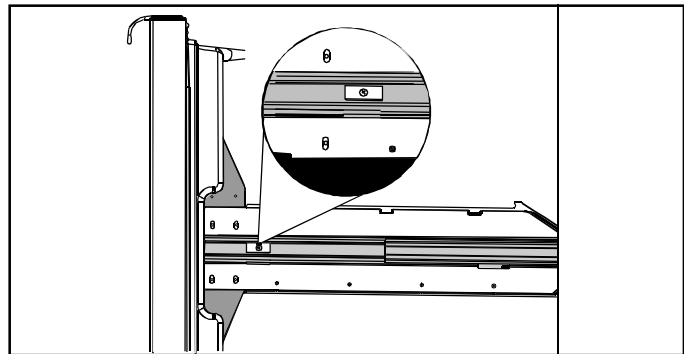
3. Alinee las lengüetas en el borde exterior de los ensamblajes de los rieles del cajón (B) con las muescas en ambas extensiones (C).



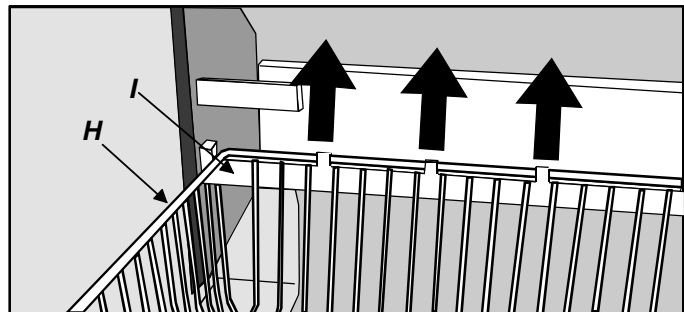
4. Inserte la lengüeta de gancho (D) en la muesca (E) a un ángulo de 45°. Inserte la lengüeta (F) en la muesca (G) bajando el extremo del asa del ensamblaje.



5. Coloque nuevamente los tornillos Phillips en ambas extensiones del riel.



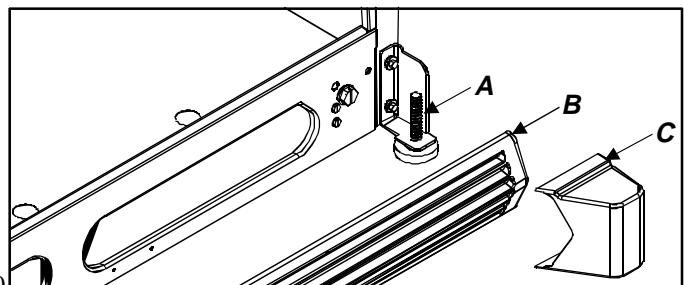
6. Coloque nuevamente la canasta inferior (H) colocándola en las guías del riel (I).



7. Deslice la canasta superior dentro del compartimento superior.

Instrucciones opcionales si existen problemas de espacio libre para transportarla

1. Coloque nuevamente ambos soportes estabilizadores (A) con un destornillador hexagonal de $\frac{3}{8}$ ".
2. Coloque nuevamente la rejilla inferior (B) y las dos cubiertas de las patas estabilizadoras (C). Vea las marcas en la parte interior de la rejilla inferior para asegurar la colocación correcta.
 - Coloque primero a presión la porción superior en su lugar. Oprima la parte inferior de la parrilla hasta que la parte inferior entre a presión en su lugar.



Conexión de la línea de suministro de agua a la máquina de hielos (en algunos modelos)

PELIGRO

Desconecte la corriente eléctrica del refrigerador antes de conectar el suministro de agua para evitar descargas eléctricas que pueden causar lesiones personales graves o la muerte. Después de volver a colocar las puertas, conecte la corriente eléctrica.

PRECAUCIÓN

Acate los puntos siguientes para evitar daños materiales:

- Compruebe que la presión del agua en la válvula de agua esté entre 20 y 100 libras por pulgada cuadrada.
- Apriete la conexión y las tuercas del adaptador con unas pinzas y con una llave de tuercas. Apriete los accesorios y las tuercas del adaptador con una llave. No lo apriete de más.
- Revise si hay goteras de agua y arréguelas si es necesario antes de volver a colocar el refrigerador en su lugar. Después de 24 horas revise nuevamente si hay goteras.

IMPORTANTE

- Antes de conectar el suministro de agua, comuníquese con un plomero para que conecte la tubería de cobre a la plomería de la casa en conformidad con los códigos y reglamentos locales.
- **¡NO utilice válvulas de tipo de penetración o de sillín de $\frac{3}{16}$ " (9 mm)! Ambas reducen el flujo del agua, con el tiempo se obstruyen y pueden causar goteras si trata de repararlas. El tipo correcto de válvula de cierre requiere que se haga un orificio de $\frac{1}{4}$ " (6 mm) en la tubería del suministro de agua antes de conectar la válvula.**
- No instale tubería de cobre en áreas donde la temperatura baje a más de 32°F (0°C).

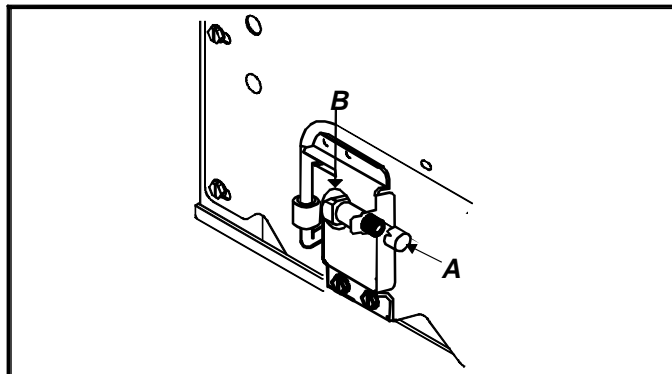
Materials necesarios

Tubería de cobre flexible de $\frac{1}{4}$ " (6 mm) de D.E.
Llave con extremo abierto de $\frac{1}{2}$ "

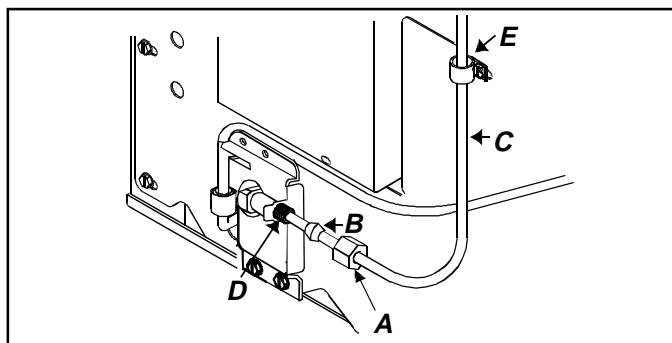
La longitud de la tubería de cobre debe alcanzar desde la conexión del suministro de agua hasta la lumbrera de entrada de la válvula de agua. Se necesitan 8 pies (2 m) adicionales de tubería para un lazo de servicio. el lazo de servicio permitirá que el refrigerador se pueda separar de la pared sin desconectar la tubería.

Procedimiento

1. Quite la tapa de plástico (A) de la lumbrera de entrada de la válvula de agua (B).



2. Coloque la tuerca de bronce (A) y el manguito aislador (B) en la tubería de cobre (C) (La tuerca de bronce y el manguito aislador se encuentran en el paquete de materiales impresos). Inserte la tubería de cobre en el puerto de entrada de la válvula de agua (D). Comience la conexión a mano y luego use una llave de extremo abierto de $\frac{1}{2}$ ". Asegúrese de que la conexión de cobre esté segura tirando suavemente de la tubería de cobre (C).
3. Abra el suministro de agua al refrigerador y revise las goteras. corrija las goteras de la conexión. Tenga cuidado de no apretar de más la conexión.
4. Cree un anillo de servicio con mucho cuidado para evitar dobleces. Asegure la tubería de cobre al gabinete del refrigerador con una abrazadera "P" (E). Es importante asegurar el tubo de cobre al refrigerador para evitar goteras al empujar el refrigerador para volver colocarlo en el hueco.



5. Continúe con *Nivelación del refrigerador* para la colocación final del refrigerador.

Nivelación del refrigerador

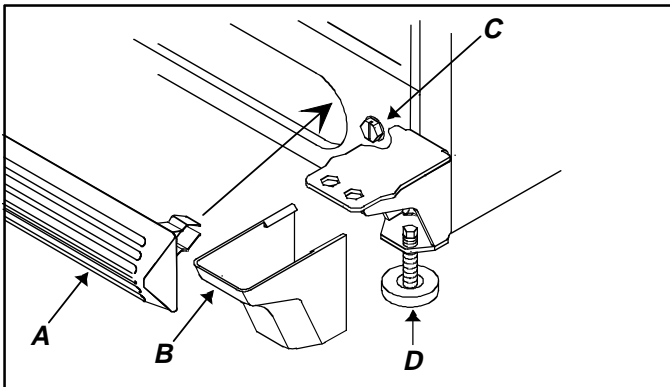
Los modelos con puerta articulada

PRECAUCIÓN

Para evitar daños materiales, proteja el piso vinílico suave o de otro tipo con cartones, alfombras u otros materiales protectores cuando mueva el refrigerador.

Si su refrigerador requiere que se conecte la máquina de hielo, continúe con la sección *Conexión para la línea de suministro de agua para la máquina de hielo* antes de nivelar el refrigerador.

1. Enchufe el cordón eléctrico.
2. Mueva el refrigerador a la ubicación final.
3. Nivele el refrigerador con un nivelador colocado encima de refrigerador.
 - Quite la parrilla inferior (**A**). Quite la cubierta de la bisagra inferior (**B**).
 - Gire el tornillo de ajuste (**C**) para subir o bajar el gabinete del refrigerador. La parte delantera del refrigerador debe estar $\frac{1}{4}$ " (6 mm), ó $\frac{1}{2}$ burbuja de nivel más alta que la parte posterior.
 - Asegure se que el gabinete del refrigerador esté nivelado de lado a lado ajustando los tornillos de ajuste (**C**) de rodillo derecho e izquierdo.
 - Gire la rosca estabilizadora (**D**) en el sentido de las manecillas de reloj hasta que esté firmemente apoyado contra el piso.
4. Vuelva a colocar la parrilla (**A**) y la cubierta de la bisagra inferiores (**B**). Busque la flecha pintada en la parte interior de la parrilla para asegurar la colocación apropiada.
 - **Primero coloque a presión la porción superior en su lugar.** Oprima la parte inferior de la parrilla hasta que la porción inferior entre a presión en su lugar.



5. Revise la *Lista de verificación* en el Manual del propietario con el consumidor.

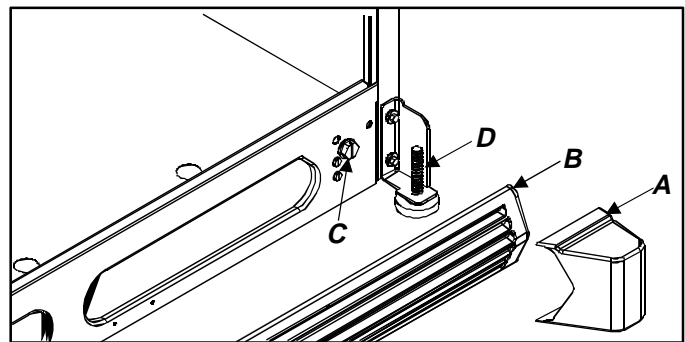
Los modelos de cajón deslizante del congelador

PRECAUCIÓN

Para evitar daños materiales, proteja el piso vinílico suave o de otro tipo con cartones, alfombras u otros materiales protectores cuando mueva el refrigerador.

Si su refrigerador requiere una conexión de suministro de agua para la máquina de hielo, proceda con la sección *Conexión de suministro de agua para la máquina de hielo* antes de nivelar su refrigerador.

1. Conecte el cordón eléctrico.
2. Mueva el refrigerador a su ubicación final.
3. Nivele el refrigerador usando un nivel colocado en la parte superior del refrigerador.
 - Quite la cubierta de la pata estabilizadora (**A**). Quite la rejilla inferior (**B**).
 - Gire el tornillo de ajuste de rodillo (**C**) para elevar o bajar el gabinete del refrigerador. El frente del refrigerador debe estar $\frac{1}{4}$ " (6 mm) o $\frac{1}{2}$ burbuja de nivel, más alto que la parte posterior del refrigerador.
 - Asegúrese de que el gabinete del refrigerador esté nivelado de lado a lado ajustando el tornillo de ajuste de rodillo (**C**).
 - Gire ambas patas estabilizadoras (**D**) en el sentido de las manecillas del reloj hasta que se apoyen firmemente contra el piso.
 - Gire los tornillos de ajuste de rodillo 2 ó 3 veces en sentido contrario al de las manecillas del reloj, de manera que todo el peso de la unidad descansa sobre las patas estabilizadoras.
4. Coloque nuevamente la rejilla inferior (**A**) y las dos cubiertas de las patas estabilizadoras (**B**). Vea las marcas adentro de la rejilla inferior para asegurar la colocación correcta.
 - **Coloque primero a presión la parte superior.** Oprima la parte inferior de la rejilla inferior hasta que entre a presión en su lugar.



5. Revise la *Lista de verificación* en el Manual del propietario con el consumidor.

Lista de verificación de la instalación

Esta lista de verificación sirve para llevar un registro personal exclusivamente.

Consumidor Instalador

Puertas

Los tiradores están firmemente fijados a las puertas.

El lado del refrigerador que tiene el tirador está aproximadamente $\frac{1}{8}$ de pulgada (3 mm) más alto que el lado donde está la bisagra. (La puerta se baja cuando el refrigerador está lleno con alimentos).

Las puertas se sellan completamente al gabinete del refrigerador.

Nivelación

El refrigerador está inclinado $\frac{1}{4}$ " (6 mm) del frente a la parte posterior, y la pata estabilizadora está firme contra el piso.

La rejilla inferior está unida correctamente al refrigerador.

Máquina para hacer hielo

La línea de suministro de agua al refrigerador está abierta.

No hay goteras en la conexión entre la línea de suministro de la casa y el refrigerador. (24 horas más tarde el consumidor debería revisar la conexión para ver si hay goteras).

El brazo de la máquina para hacer hielo está en la posición de activación para producir hielo. (La producción del primer lote de hielo puede tardar hasta 24 horas).

Documentación del producto

El manual del propietario ha sido revisado incluyendo la siguiente información:

- tarjeta de registro del producto
- controles de las secciones Alimentos frescos y congelador
- sistema Chiller Fresh™
- cajón para verduras Garden Fresh™
- ruidos del funcionamiento normal

Notas _____

Firma del consumidor

Firma del instalador

Nombre/Número de teléfono
de la compañía instaladora

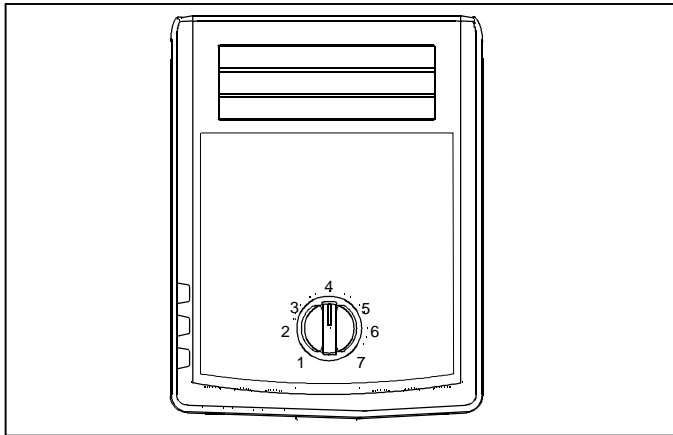
Fecha

Controles

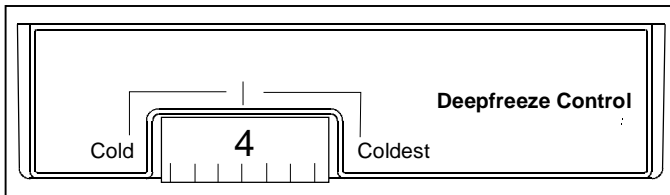
Este refrigerador funciona con mayor eficacia en temperaturas domésticas normales, entre 55° y 110° F (13° y 43° C).

Controles del alimentos frescos y del congelador

El control del refrigerador está localizado en la parte superior de la pared posterior de la sección del refrigerador.



El control del congelador está localizado en la parte delantera izquierda del techo de la sección del congelador.



Ajuste de los controles

Cuando el control del congelador está colocado en la posición *DESACTIVADA (OFF)*, ni la sección del refrigerador ni la del congelador se enfriarán. Inicialmente, coloque ambos controles en 4. Espere 24 horas para que las secciones del refrigerador y del congelador establezcan la temperatura. Después de 24 horas, ajuste los controles, un solo número a la vez, según se desee. El 1 es el menos frío y el 7 el más frío.

Ajuste con precisión los controles utilizando un termómetro común que abarque temperaturas entre -5° y 50° F (-21° y 10° C).

Coloque el termómetro ajustadamente entre paquetes en la sección del congelador y espere de 5 a 8 horas. Si la temperatura del congelador no se encuentra entre 0° y 2° F (-17° y -16° C), ajuste el control, 1 solo número a la vez. Revise nuevamente después de 5 a 8 horas.

Coloque el termómetro en un vaso de agua en medio de la sección del refrigerador y espere 5 a 8 horas. Si la temperatura del refrigerador no se encuentra entre 38° y 40° F (3° y 4° C), ajuste el control, 1 solo número a la vez. Revise nuevamente después de 5 a 8 horas.

Características del alimentos frescos

Repisas de la sección alimentos frescos

Las repisas se ajustan para satisfacer las necesidades individuales de almacenamiento. Algunos modelos vienen con repisas Spillsaver™. Las repisas Spillsaver™ contienen los derrames menores para facilitar la limpieza. Las repisas EasyGlide™ se pueden jalar hacia adelante para sacar más fácilmente los artículos que están atrás.



PRECAUCIÓN

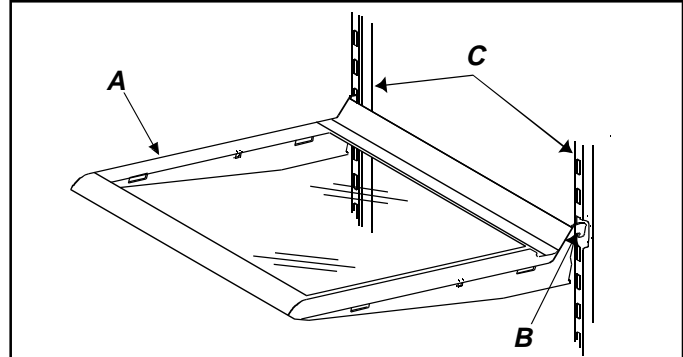
Asegúrese que la repisa esté bien instalada antes de volver a colocar artículos sobre ella para evitar daños materiales.



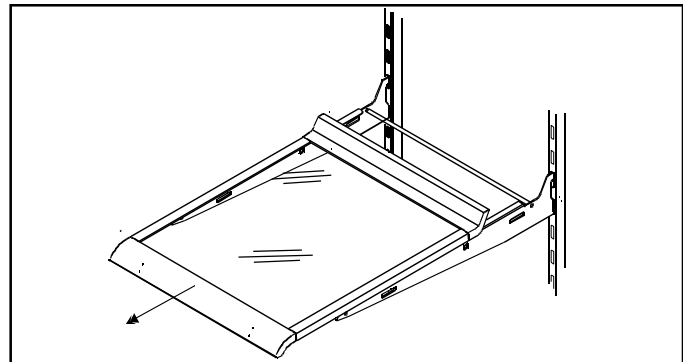
PRECAUCIÓN

Maneje con cuidado las repisas de vidrio templado para evitar lesiones personales o daños materiales. Las repisas se pueden romper súbitamente si tienen fracturas, rayaduras o se exponen a cambios repentinos de temperatura.

- Quite las repisas (**A**) levantando la parte delantera y liberando los ganchos (**B**) de la guía metálica (**C**), después jalándolas hacia afuera.
- Vuelva a colocar las repisas insertando los ganchos en guía metálica y bajando la parte delantera.



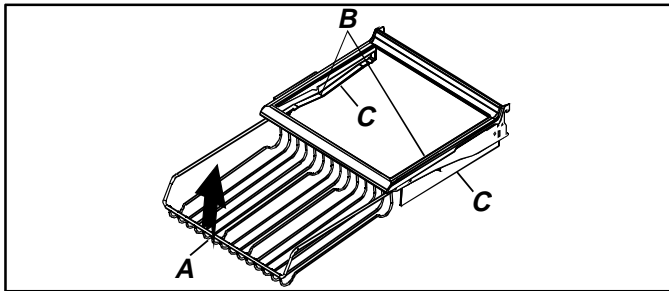
Las repisas deslizables Easy Glide™ se pueden deslizar hacia adelante para tener acceso fácil a los artículos de la parte posterior.



Organizador de bebidas (en algunos modelos)

El organizador de bebidas se desliza hacia afuera de debajo de la parrilla deslizadora. Éste puede contener 12 latas u otras bebidas de su preferencia.

- Antes de quitar el organizador, saque el contenido.
- Quite el organizador **(A)** tirando de él hacia afuera hasta que se enganche en los canales **(B)** del riel de la parrilla **(C)**. Levante la parte delantera del organizador y sáquelo hacia adelante.
- Para volver a colocar el organizador, deslícelo **(A)** dentro de los rieles de la parrilla **(C)** hasta que tope con la ranura **(B)**. Levante la parte delantera del organizador y deslícelo hacia atrás de la unidad.



Cajón ajustable Deli Drawer™ (en algunos modelos)

Para limpiar o volver a colocar el cajón:

- Consulte las instrucciones tituladas Spillsaverä Shelves (parrillas a prueba de derrames) para ver la remoción y la colocación de las parrillas.
- Quite el cajón y el recubrimiento aislante levantándolo y jalándolo hacia adelante.
- Vuelva a colocar el cajón deslizando en su lugar.

Cajones para verduras Garden Fresh™ (en algunos modelos)

Los cajones para verduras Garden Fresh™ conservan frescas las verduras por más tiempo. No lave las verduras antes de colocarlas en los cajones. El exceso de humedad podría causar que se echen a perder prematuramente. No forre los cajones para verduras con toallas de papel. Las toallas de papel retienen la humedad.

El control del Garden Fresh™ está ubicado debajo del adorno de la repisa delantera. El control ajusta la humedad en los cajones. Deslice el control hacia *high* (*alta*) para productos que tienen hojas, como la lechuga, espinacas o repollo. Deslice el control *low* (*baja*) para productos que tienen cáscara, como la coliflor, los elotes o los jitomates.

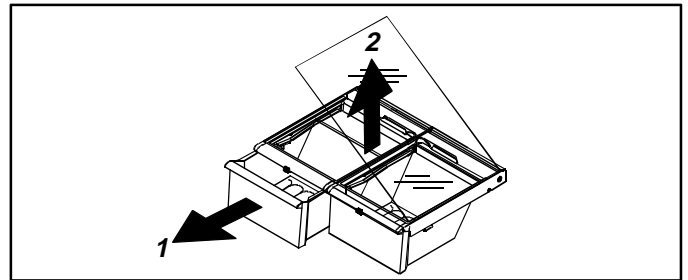
Para quitar o limpiar el ensamblaje del cajón para vegetales frescos (Crisper) en las unidades de 33" de ancho:

1. Quite el cajón para frutas y verduras del lado del asa de la unidad. Quite los cajones para frutas y verduras.

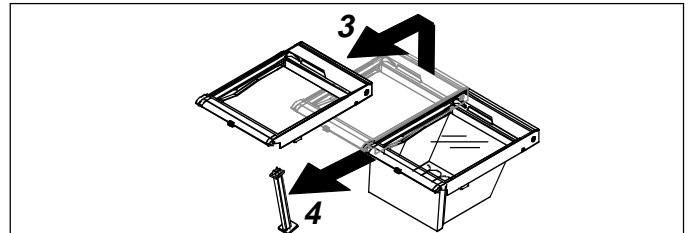
PRECAUCIÓN

Maneje con cuidado las repisas de vidrio templado para evitar lesiones personales o daños a la propiedad. Las repisas se pueden romper súbitamente si sufren raspaduras, golpes o se exponen a cambios repentinos de temperatura.

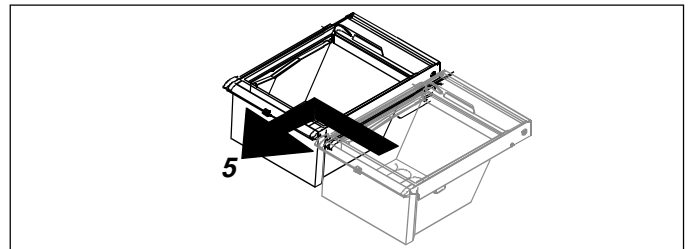
2. Quite la parte superior de vidrio del cajón para frutas y verduras empujando suavemente por debajo. Incline un extremo y sáquela.



3. Levante la parte delantera del bastidor de la parrilla para frutas y verduras y sáquela.
4. Levante la parte delantera del cajón para frutas y verduras restante y quite el poste de apoyo del centro del piso del refrigerador.

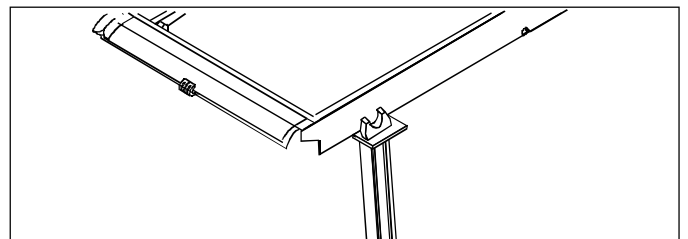


5. Para evitar interferencia con la puerta, mueva el cajón para frutas y verduras restante a la pared opuesta y quítelo.



6. Vuelva a colocar los cajones para frutas y verduras y las parrillas realizando los pasos 2 al 5 en orden inverso.

Nota: Asegúrese de enganchar el bastidor de la parrilla sobre la muesca encima del poste de apoyo cuando coloque de nuevo los bastidores de la parrilla.



7. Deslice el vidrio del cajón para frutas y verduras en su lugar.

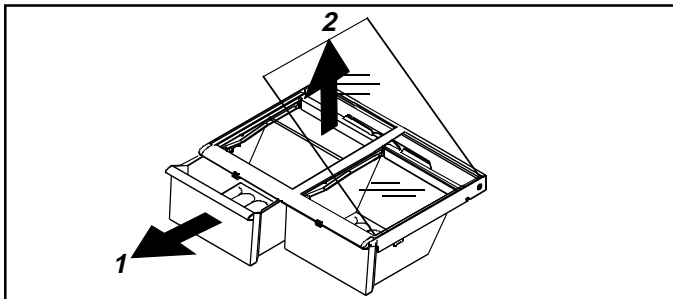
Para quitar o limpiar el cajón para frutas y verduras para las unidades de 30" (76.2 cm) de ancho:

1. Abra la puerta del refrigerador tanto como sea posible y saque los cajones para frutas y verduras.

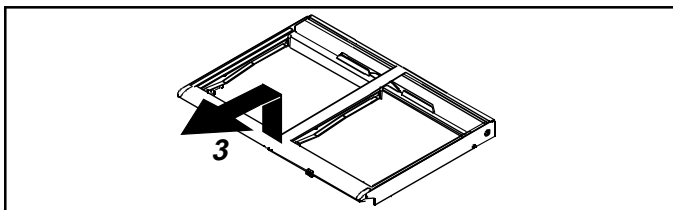
⚠ PRECAUCIÓN

Maneje con cuidado las repisas de vidrio templado para evitar lesiones personales o daños a la propiedad. Las repisas se pueden romper súbitamente si sufren raspaduras, golpes o se exponen a cambios repentinos de temperatura.

2. Quite la parte superior de vidrio de los cajones para frutas y verduras empujando con suavidad por debajo. Inclínelos por un lado para sacarlos.



3. Levante la parte delantera del bastidor del cajón para frutas y verduras para sacarlo de los rieles del gabinete de la unidad.



4. Coloque los cajones para frutas y verduras y la repisa realizando los pasos 2 al 3 en orden inverso.
5. Deslice el vidrio del cajón para frutas y verduras en su lugar.

El Cajón del sistema Chiller Fresh™ (en algunos modelos)

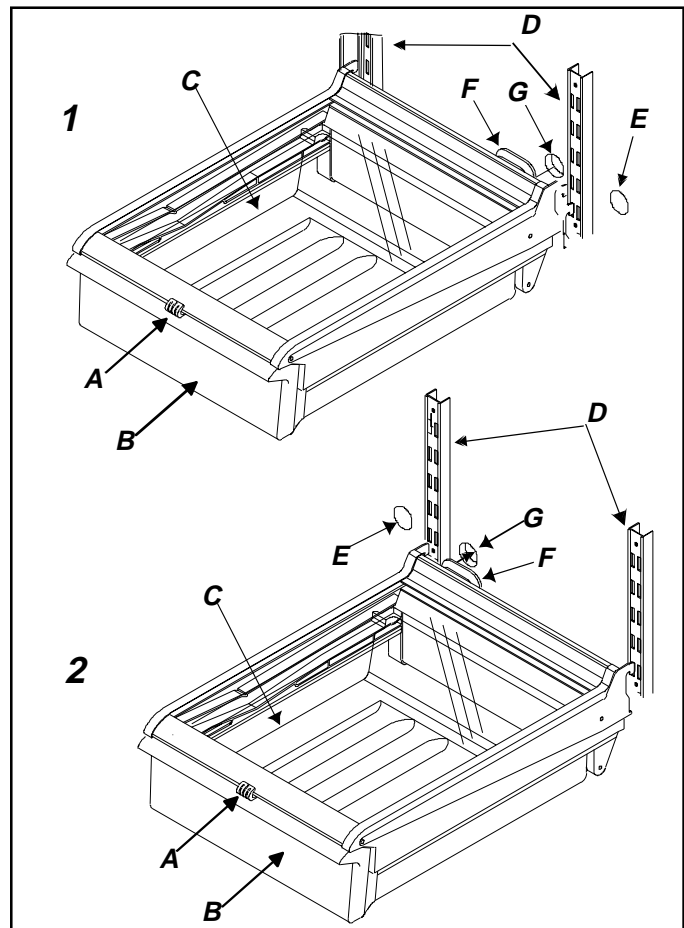
El cajón del sistema Chiller Fresh™ es un cajón dentro de un compartimiento aislante. El aire del congelador circula entre el cajón y el compartimiento aislante. Este sistema conserva frescos los alimentos por más tiempo y hasta 5° F (3° C) más fríos que la temperatura del refrigerador.

El control del cajón de Chiller Fresh™ se encuentra localizado debajo del adorno de la repisa delantera. El control ajusta la cantidad de aire que circula alrededor del cajón. Deslice el control hacia *COLD (frío)* para la temperatura normal del refrigerador y hacia *COLDER (más frío)* para la temperatura más fría. Es posible que se formen cristales de hielo en el cajón o en los alimentos en la posición *COLDER (más frío)*. El aire frío que entra al cajón del sistema Chiller Fresh™ puede disminuir la temperatura del refrigerador. Tal vez sea necesario ajustar el control del refrigerador para dar cabida al aire más frío.

El cajón del sistema Chiller Fresh™ puede cambiarse lado izquierdo al lado derecho del compartimiento del refrigerador para satisfacer las necesidades específicas de almacenamiento. Realice los siguientes pasos para cambiar de lugar el cajón.

Para instalar en el lado izquierdo, vea la figura 1. Para instalar en el lado derecho, vea la figura 2.

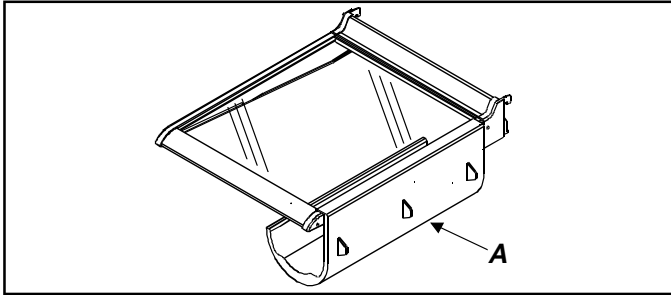
1. Saque el cajón levantándolo y jalándolo hacia afuera. Quite la repisa levantando desde la parte delantera y liberando los ganchos de la guía metálica y luego jale hacia afuera.
2. Quite el tapón de plástico de la pared posterior de la sección del refrigerador, poniendo un cuchillo cubierto con cinta adhesiva masking por debajo del tapón y jalándolo hacia adelante.
3. Gire el manguito aislador 180° hacia el lado contrario.
4. Introduzca el tapón de plástico en el lado contrario de la sección Alimentos frescos. Verifique que el tapón esté bien colocado en su lugar. El aire frío puede hacer que se congelen los alimentos si no se vuelve a colocar el tapón.
5. Vuelva a colocar la repisa insertando los ganchos en la guía metálica y bajando la parte delantera. Use las ranuras 4 a 6 solamente.
6. Vuelva a colocar los cajones deslizando los.



Compartimiento para botellas (en algunos modelos)

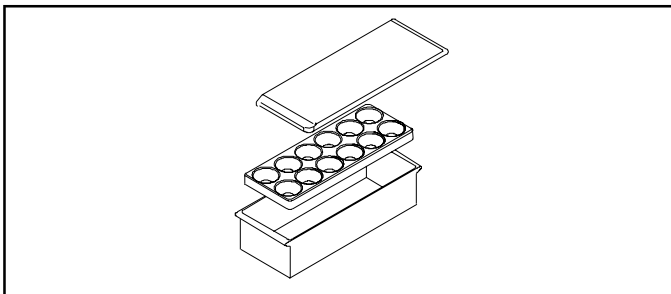
El compartimiento para botellas **(A)** proporciona un conveniente lugar para guardar una botella de cuello largo, huevos, etc.

- Cuelgue este compartimiento enganchándolo por el lado de la repisa.



Compartimiento cubierto para almacenamiento (en algunos modelos)

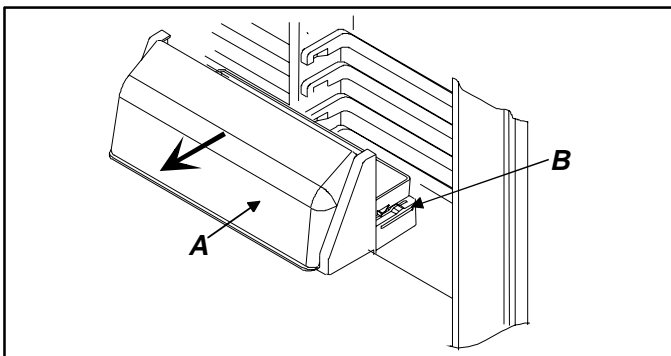
El compartimiento de almacenamiento tiene una tapa y una bandeja desmontable para huevos. Cuando se saca la bandeja, se pueden acomodar artículos tales como cajas regulares de huevos, hielo, etc.



Compartimientos para productos lácteos (en algunos modelos)

Los compartimientos para productos lácteos ofrecen un conveniente lugar para guardar mantequilla, queso, etc.

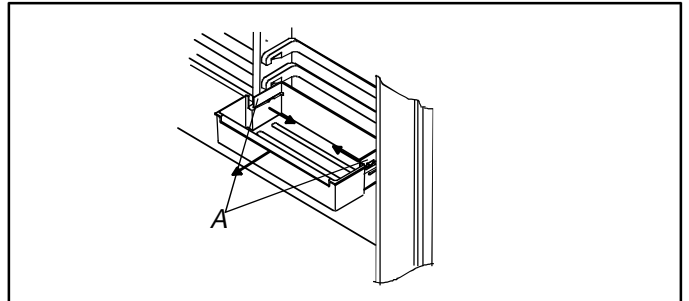
- Quite los compartimientos para productos lácteos levantando la puerta **(A)**, empujando las lengüetas de la repisa **(B)**, en ambos lados y jalando hacia afuera.
- Vuelva a colocar los compartimientos para productos lácteos deslizándolos hasta que las pestañas encajen en su sitio y luego baje la puerta.



Compartimientos de la puerta

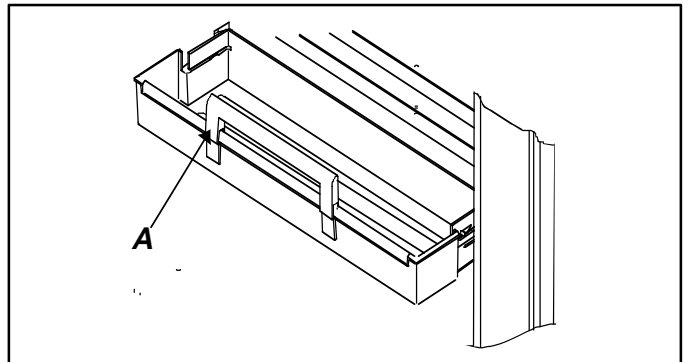
Los compartimientos de la puerta se ajustan para satisfacer las necesidades individuales de almacenamiento.

- Quite los compartimientos de la puerta empujando las lengüetas **(A)** de los extremos de la repisa hacia el centro y jalando hacia afuera.
- Vuelva a poner los compartimientos de la puerta deslizándolos hasta que las lengüetas encajen en su sitio.



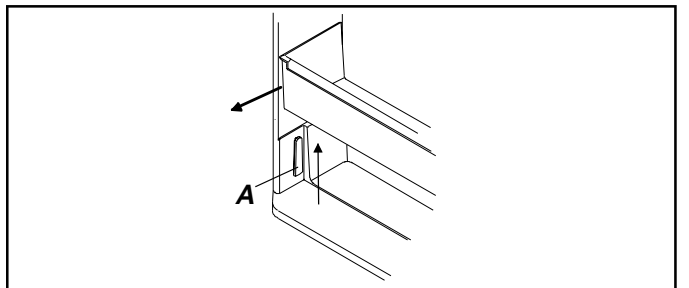
Depósito para paquetes altos

El depósito para paquetes altos **(A)** mantiene seguros los paquetes altos. El sujetador cabe en el borde delantero de cualquier recipiente de la puerta del refrigerador o en cualquier repisa de la puerta del refrigerador.



Repisas de la puerta

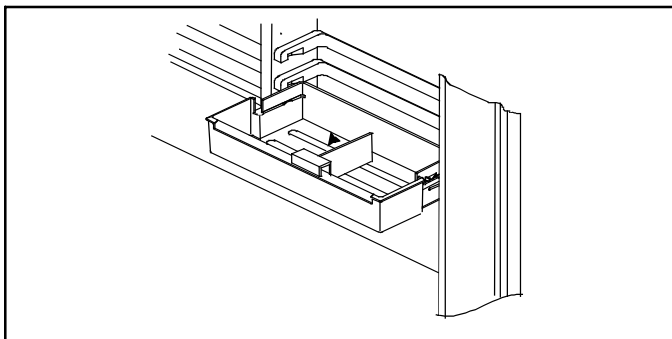
- Quite las repisas de la puerta levantando los extremos y jalando hacia afuera.
- Vuelva a colocar las repisas sobre las guías **(A)** y deslice hacia abajo.



Características del congelador

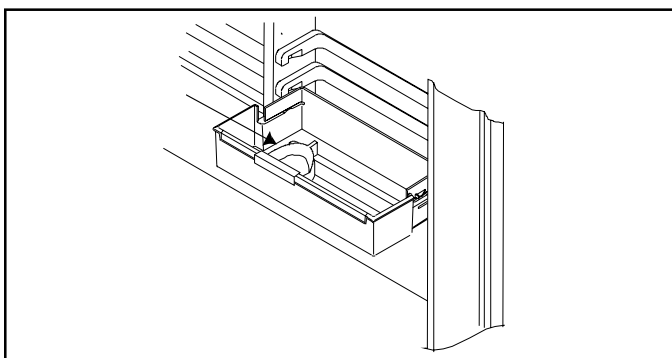
Separador ajustable (en algunos modelos)

El separador ajustable mantiene los artículos en su sitio y se ajusta para satisfacer las necesidades individuales de almacenamiento. El separador cabe en cualquier compartimiento o repisa de la puerta.



Portabotellas (en algunos modelos)

El portabotellas mantiene los artículos en su sitio y se ajusta para satisfacer las necesidades individuales de almacenamiento. El portabotellas cabe en cualquier compartimiento o repisa de la puerta.

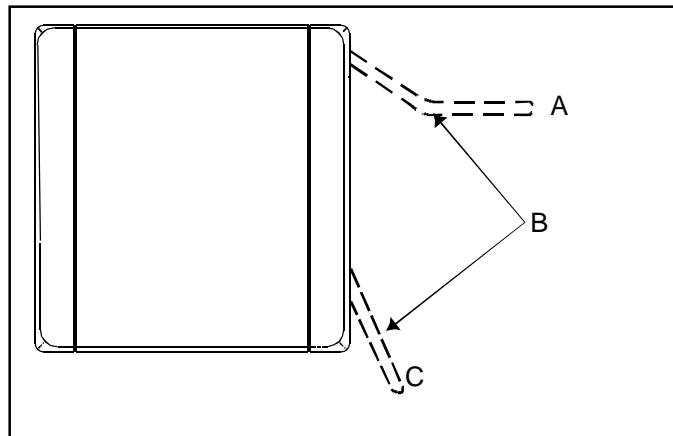


Sistema sin escarcha (Frost-Free)

Las secciones del refrigerador y del congelador se mantienen completamente sin escarcha. La descongelación es automática bajo condiciones normales. Nunca se tiene que descongelar la sección del refrigerador ni la del congelador.

Máquina de hielo automática (en algunos modelos)

- Verifique que los recipientes para hielo estén en su sitio y que el brazo de la máquina de hielo (**B**) esté hacia abajo (**C**).



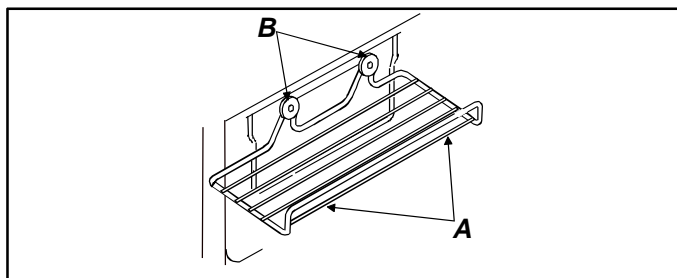
- Después que la sección del congelador alcanza la temperatura normal, la máquina de hielo se llena de agua y comienza a funcionar. Espere de 24 a 48 horas después de instalarla para que los hielos estén listos. La máquina de hielo produce de 7 a 9 raciones de hielo durante 24 horas bajo condiciones ideales.
- Después de que se forma el hielo, la máquina deja caer los hielos adentro del recipiente de hielo. Mientras el hielo se está haciendo, el brazo de la máquina (**B**) se levanta y se baja. Cuando el recipiente de hielo se llena, el brazo de la máquina la desconecta (**A**).

Nota: Deseche las tres primeras raciones de hielo para que no consumir ninguna impureza que quede en la línea de agua al instalarla.

- Si desea detener la producción automática de hielo levante el brazo de la máquina (**B**). Se escucha claramente un chasquido cuando se coloca en la posición adecuada. El brazo de la máquina se quedará en esta posición hasta que se empuje hacia abajo (**C**).

Rejilla para servicio de hielo (en algunos modelos)

Instale la rejilla para servicio de hielo colocando la parrilla de servicio de hielo (**A**) en las arandelas (**B**) y deslízandola hacia abajo.



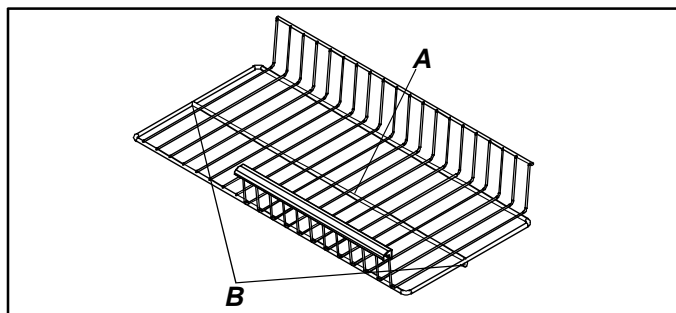
PRECAUCIÓN

Verifique que la repisa esté segura antes de colocar artículos en ella para evitar daños materiales.

Repisa deslizable (en algunos modelos)

Las repisas deslizables se pueden jalar hacia el frente para tener un acceso fácil a los artículos colocados en la parte posterior.

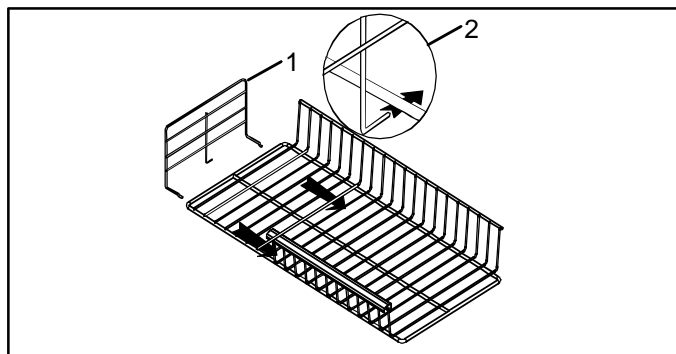
- Para quitar la repisa deslizable tire de ella hacia el frente hasta que la punta de bola (**B**) debajo del riel central (**A**) se acomode en el canal de la moldura.
- Sostenga la repisa por el riel central (**A**), jale hacia arriba y retírela.
- Deslícelo hacia adentro hasta que la punta de bola caiga en el canal de la moldura.



Separador vertical de repisa (en algunos modelos)

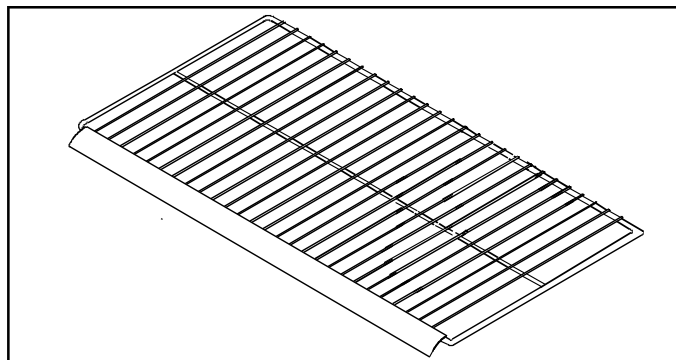
Instale el separador vertical de repisa siguiendo los pasos a continuación:

1. Deslice las puntas del separador de repisa debajo de la rejilla que se desee, ligeramente fuera de centro del riel central.
2. Oprima la parte superior del divisor y deslice el ensamble de gancho debajo del riel central.



Repisa de alambre

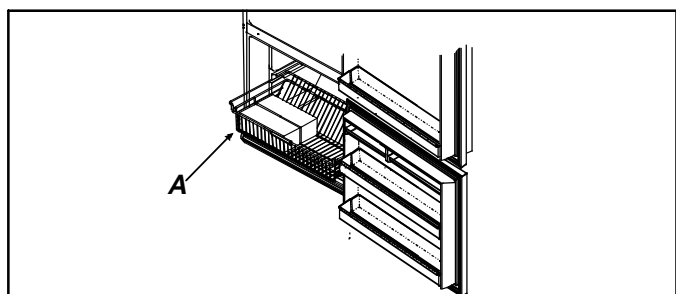
- Quite la repisa de alambre jalándola hacia afuera. Se puede necesitar una sacudida fuerte.
- Vuelva a colocar la repisa de alambre deslizándola hasta que su parte posterior quede en su sitio.



Canasta de alambre

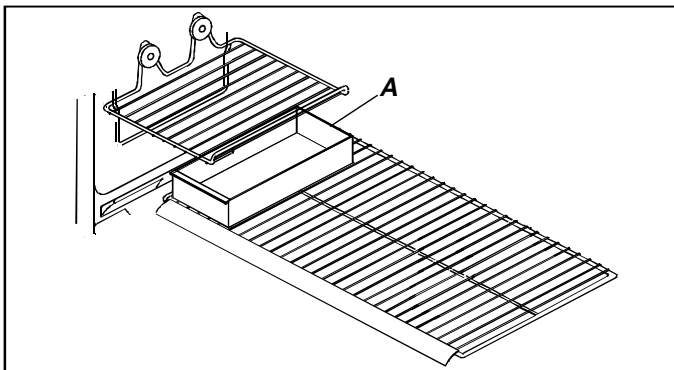
La canasta de alambre (**A**) se desliza hacia afuera para tener acceso fácil a los artículos que están en la parte posterior.

- Quite la canasta de alambre levantándola y jalándola hacia afuera.
- Vuelva a colocar la canasta de alambre deslizándola hacia adentro.



Depósito de hielo (en algunos modelos)

El depósito de hielo (A) está sobre la repisa para servicio de hielo en la repisa de alambre del congelador.



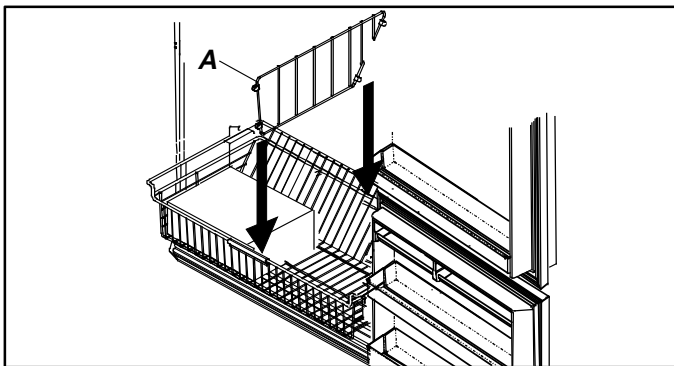
Separador de canasta vertical (en algunos modelos)

Instale el separador de canasta vertical (A) siguiendo los pasos que aparecen a continuación:

1. Deslice los picos del separador de repisas debajo de la parrilla deseada, ligeramente fuera del centro del carril.
2. Presione la parte superior del separador hacia abajo hasta que el separador coincida con la parte inferior de la canasta.

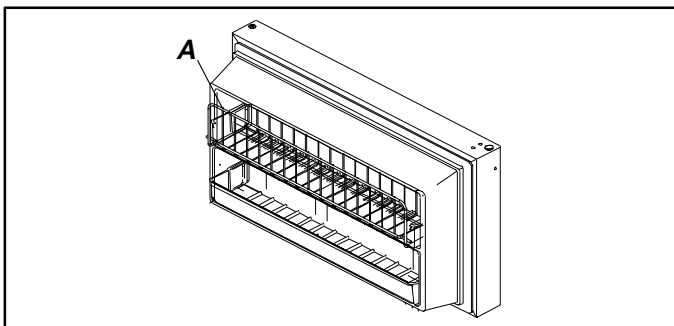
Para quitar el separador:

1. Sujete la parte superior del separador y jale hacia arriba en forma recta.



Compartimento inclinado (en algunos modelos)

El compartimento inclinado (A) ofrece un conveniente espacio para almacenar en la puerta del congelador alimentos congelados y se inclina para proporcionar un acceso fácil a esos artículos.



Canastas deslizables de cajón (en algunos modelos)

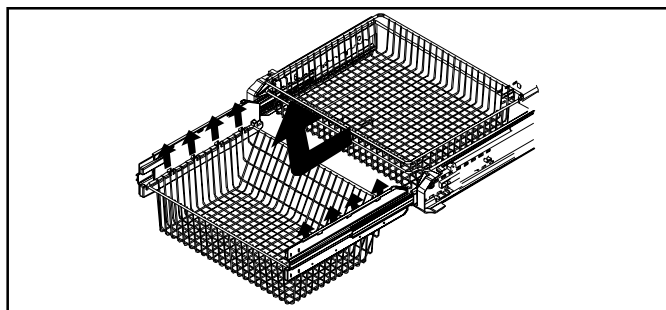
(El ensamblaje de la puerta del cajón se eliminó de la ilustración para ofrecer claridad visual.)

Las canastas de los cajones deslizables están disponibles solamente en los modelos con cajones deslizables del congelador:

- Quite la canasta extrayéndola y levántola completamente.
- Coloque de nuevo la canasta deslizándola dentro del compartimento superior del congelador.

Para quitar y reemplazar la canasta inferior:

- Quite la canasta levantándola de las guías de los rieles.
- Coloque de nuevo la canasta colocándola dentro de las guías de los rieles.

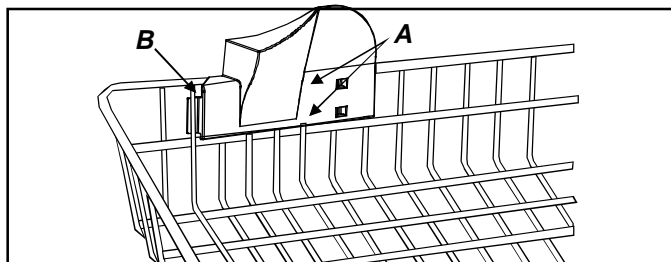


Protector de hielo (en algunos modelos)

El protector de hielo está montado en la parte posterior del cajón deslizable para impedir que el hielo caiga detrás de la canasta.

Para quitar y volver a colocar el protector de hielo:

- Deslice el protector de hielo hacia la derecha para liberar los ganchos (A) de los barrotes verticales de alambre.
- Para volver a colocarlos, deslice la lengüeta (B) en su lugar según se muestra.



Cuidado y limpieza



ADVERTENCIA

Desconecte la corriente eléctrica al refrigerador antes de limpiarlo para evitar descargas eléctricas que pueden causar lesiones graves o la muerte. Después de limpiarlo, vuelva a conectar la corriente.



PRECAUCIÓN

Lea y cumpla con las instrucciones del fabricante de los productos de limpieza para evitar lesiones personales o daños a la propiedad.

Generalidades

Vea la sección *Limpieza del acero inoxidable por las puertas del acero inoxidable*.

1. Lave las superficies con cuatro cucharadas de bicarbonato de sodio disuelto en un litro de agua tibia utilizando un trapo suave y limpio.
2. Enjuague las superficies con agua tibia. Seque las superficies con un trapo suave y limpio.
 - No utilice los siguientes productos:
 - limpiadores abrasivos o ásperos tales como amoníaco, cloro, etc.
 - detergentes o disolventes concentrados
 - estropajos metálicosEstos productos pueden rayar, rajar y decolorar las superficies.
 - No lave las repisas, recipientes, etc. en un lavaplatos automático.

Limpieza del acero inoxidable

Los daños al acabado del acero inoxidable debidos al uso incorrecto de los productos de limpieza, o al uso de productos de limpieza no recomendados, no están cubiertos por la garantía.

Para obtener la lista de los productos recomendados por Amana, llame a nuestra división de Asuntos del Cliente al **1 (800) 843-0304**.

1. Lave las superficies con agua jabonosa tibia y un paño o una esponja suave y limpia.
2. Enjuague las superficies con agua tibia. Seque las superficies con un paño suave y limpio.
 - No use los siguientes limpiadores abrasivos:
 - limpiadores abrasivos o ácidos (amoníaco, cloro, blanqueador, productos con base de vinagre, etc.)
 - limpiadores con base de cítricos
 - almohadillas de estropajo (metálicas, con textura de plástico, etc.)Estos artículos pueden rallar, decolorar o manchar permanentemente las superficies.
3. A continuación, enjuague inmediatamente y séquelo con un paño suave y limpio. Esto evitará que se manche con gotas de agua el acabado de acero inoxidable.

Adhesivos

1. Elimine el residuo de goma frotando un poco de pasta dental sobre el adhesivo hasta aflojarlo.
2. Enjuague la superficie con agua tibia. Seque la superficie con un trapo limpio y suave.

Empaques de la puerta

1. Limpie los empaques de la puerta cada tres meses de acuerdo con las instrucciones de limpieza de la sección «Generalidades».

Serpentín del condensador

Limpie el serpentín del condensador cada tres meses para asegurar un funcionamiento óptimo del refrigerador. La acumulación de polvo y pelusas puede causar lo siguiente:

- menor rendimiento de enfriamiento
 - aumento del consumo de energía
 - falla prematura de las piezas
1. Quite la rejilla inferior sosteniéndola de los extremos y jalándola hacia adelante.
 2. Limpie la superficie delantera del serpentín con la boquilla de manguera de una aspiradora.
 3. Vuelva a colocar la rejilla inferior insertando y encajando las presillas en los agujeros del gabinete.
 4. Eleve la rosca estabilizadora (en algunos modelos) girándola en sentido contrario al de las manecillas del reloj.



PRECAUCIÓN

Para evitar daños a la propiedad, proteja los pisos de vinilo delicado o de otra clase con cartones, tapetes u otros materiales de protección.

Repisas de vidrio



PRECAUCIÓN

Maneje con cuidado las repisas de vidrio templado para evitar lesiones personales o daños a la propiedad. Las repisas se pueden romper súbitamente si sufren raspaduras, golpes o se exponen a cambios repentinos de temperatura.

Saque la repisa levantándola del frente, liberando los ganchos de los rieles metálicos, luego jalando la repisa hacia adelante. Colóquela sobre una toalla y permita que la repisa se adapte a la temperatura ambiental durante una hora antes de limpiarla.

Limpie las hendiduras haciendo lo siguiente:

1. Diluya un detergente suave y aplíquelo en las hendiduras usando un cepillo con cerdas de plástico. Déjelo reposar durante cinco minutos.
2. Rocíe agua tibia en las hendiduras usando un aditamento para rociar agua desde el grifo.
3. Seque bien la repisa y vuelva a colocarla insertando los ganchos en los rieles metálicos y bajando la parte delantera.

Eliminación de olores

1. Saque todos los alimentos y desconecte la corriente eléctrica al refrigerador.
2. Lave todas las superficies interiores incluyendo el techo, el piso y las paredes, de acuerdo con las instrucciones de limpieza de la sección «Generalidades». Preste atención especial a las esquinas, hendiduras y ranuras. Incluya todos los accesorios, cajones, repisas y empaques.
3. Conecte la corriente eléctrica al refrigerador y vuelva a colocar los alimentos en el refrigerador. Lave y seque todas las botellas, frascos y recipientes. Guarde todos los alimentos en recipientes sellados herméticamente para evitar malos olores adicionales. Después de 24 horas revise si se ha eliminado el olor.

Si no se ha eliminado el olor, siga los siguientes pasos.

4. Complete los pasos del 1 al 2.
5. Coloque los cajones para verduras en la repisa superior de la sección Alimentos frescos. Llene las secciones Alimentos frescos y Congelador, incluyendo las puertas, con hojas estrujadas de periódico blanco y negro.
6. Coloque pedazos de carbón en diferentes lugares del periódico.
7. Cierre las puertas y deje reposar de 24 a 48 horas.
8. Saque los pedazos de carbón y los periódicos.
9. Complete los pasos 2 y 3.

Si aún no se ha eliminado el olor, comuníquese con el Departamento de asuntos del consumidor. Refiérase a la sección de Identificación del modelo para obtener el número telefónico.

Reemplazo de focos



ADVERTENCIA

Desconecte la corriente eléctrica al refrigerador antes de cambiar los focos para evitar descargas eléctricas que podrían causar lesiones graves o la muerte. Después de cambiar los focos, vuelva a conectar la corriente.



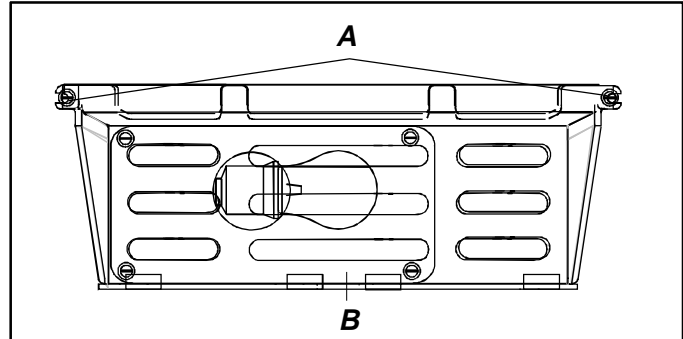
PRECAUCIÓN

Lleve a cabo lo siguiente para evitar lesiones Personales o daños a la propiedad:

- Permita que se enfríe el foco.
- Use guantes para cambiar el foco.

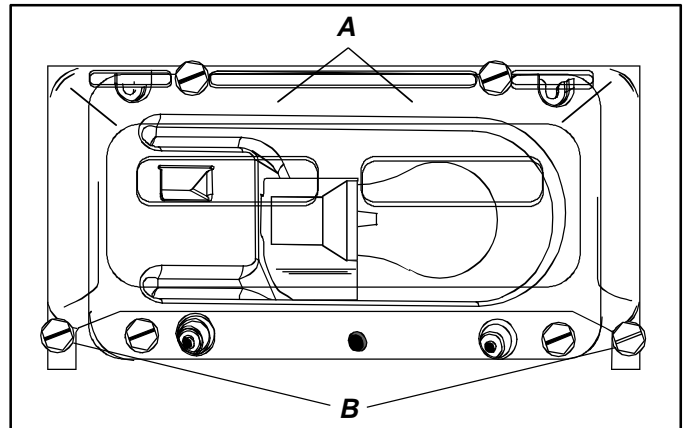
El Foco del Refrigerador

- Quite la tapa del foco (**B**) extrayendo los tornillos (**A**) hexagonales de ¼ de pulgada (6mm). Reemplácelo con un foco para aparatos electrodomésticos de 60 vatios o menor.
- Vuelva a colocar la tapa del foco atornillando los tornillos hexagonales de ¼ de pulgada(6mm).



El Foco del Congelador

- Quite la tapa del foco (**B**) extrayendo los tornillos (**A**) hexagonales de ¼ de pulgada (6mm). Reemplácelo con un foco para aparatos electrodomésticos de 60 vatios o menor.
- Vuelva a colocar la tapa del foco atornillando los tornillos hexagonales de ¼ de pulgada (6mm).



Sugerencias para conservar energía

Este refrigerador está diseñado para ser uno de los refrigeradores más eficientes en consumo de energía disponibles. Reduzca el uso de energía realizando los pasos siguientes:

- Manténgalo funcionando a temperaturas normales entre 55° y 110°F (13° y 43°C) alejado de las fuentes de calor y de la luz directa del sol.
- No ajuste los controles del Alimentos frescos, congelador ni del Chiller FreshÔ a una temperatura más fría que lo que sea necesario.
- Mantenga llena la sección congelador.
- Mantenga los empaques de la puerta limpios y flexibles. Reemplace los empaques si están gastados.
- Mantenga limpios los serpentines del congelador.
- Gire el control de humedad exterior a la posición ON (encendido) cuando sea necesario.

Sugerencias para las vacaciones

Siga los siguientes pasos en caso de tomarse vacaciones breves.

1. Saque los alimentos que se puedan echar a perder. **La garantía no cubre las pérdidas de alimentos.** Revise su certificado de garantía para ver si cubre algo en específico.
2. Si tiene instalada una máquina para hacer hielo, ponga el brazo de la máquina en posición *desactivada (off)*.

Siga los siguientes pasos en caso de tomarse vacaciones largas.

1. Vacíe las secciones Alimentos frescos y congelador.
2. Desenchufe el refrigerador.
3. Limpie el interior del refrigerador y los empaques de las puertas de acuerdo con las instrucciones de limpieza de la sección «Generalidades» en la sección «Cuidado y limpieza».
4. Deje las puertas abiertas para que pueda circular el aire en el interior.
5. Si tiene instalada una máquina para hacer hielo, cierre el suministro de agua al refrigerador y ponga el brazo de la máquina en posición *desactivada (off)*.

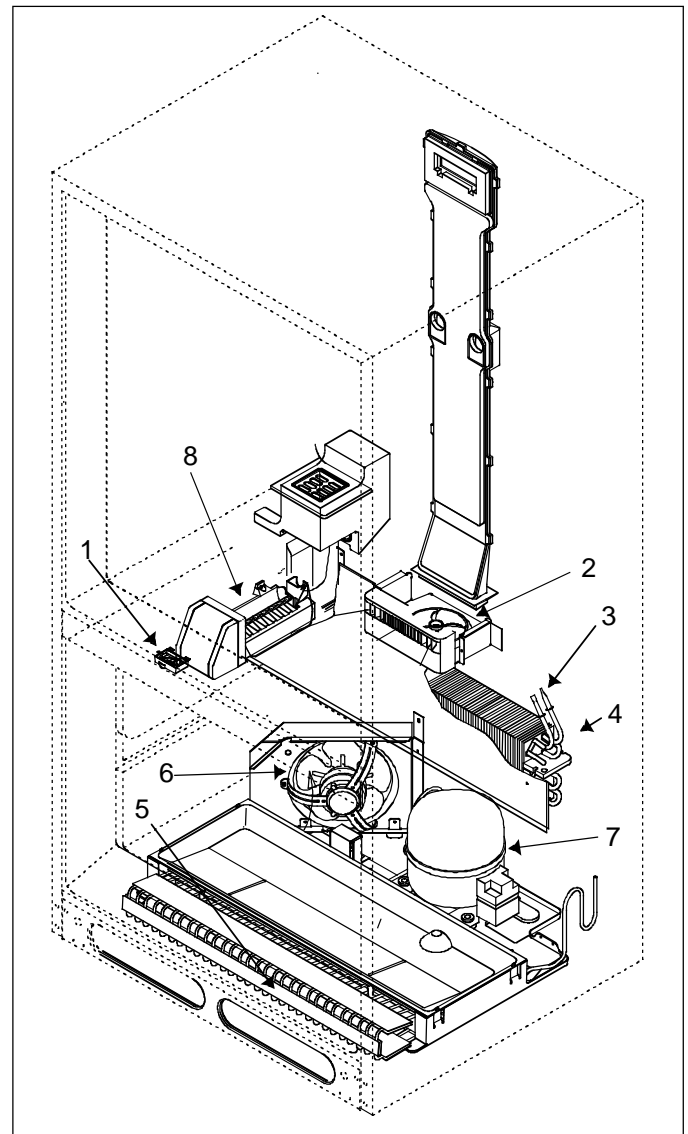
Sonidos normales de funcionamiento

Es posible que este refrigerador nuevo esté reemplazando a uno de diferente diseño, menos eficiente o más pequeño. Los refrigeradores actuales tienen características nuevas y un mejor rendimiento de energía. Como resultado de esto, ciertos sonidos pueden parecer poco comunes. Estos sonidos son normales y pronto le serán familiares. Estos sonidos indican también que el refrigerador está funcionando y rindiendo según su diseño.

1. **Control del congelador.** Hace un clic al arrancar o detenerse el compresor.
2. **Ventilador del congelador.** El aire se acelera y zumba.
3. **Sistema sellado** (evaporador e intercambiador de calor). El flujo del refrigerante gorgojea, cruje o suena como agua hirviendo.
4. **Calentador de descarchado.** Hace chirridos, silba o cruje.
5. **Reloj automático de descarchado.** Suena como un reloj eléctrico cuando comienza y termina del ciclo de descarchado.
6. **Ventilador del condensador.** El aire se acelera y zumba.
7. **Compresor.** Tiene un sonido de alta frecuencia de tarareo o pulsante, y se enciende y apaga en ciclos.
8. **Cubos de hielo.** De la máquina para hacer hielo (en algunos modelos) caen al recipiente.

9. **Conexión de la válvula de agua de la máquina para hacer hielo** (en algunos modelos). Zumba cuando la máquina para hacer hielo se llena con agua. Esto ocurre independientemente de que el refrigerador esté o no esté conectado al suministro de agua. Si no está conectado, anule el ruido colocando el brazo de la máquina para hacer hielo en la posición *desactivada (off)*. La conexión de la válvula de agua está ubicada atrás del ventilador del condensador en la parte posterior del refrigerador.

Nota: El aislamiento de espuma tiene muy buen rendimiento de energía y excelente capacidad aislante. Sin embargo, no absorbe el ruido tanto como el aislamiento de fibra de vidrio que se usaba anteriormente.



Antes de llamar para solicitar servicio

Problema	Solución
El refrigerador no funciona	<ul style="list-style-type: none"> • Compruebe que el control del congelador esté activado. • Compruebe que el refrigerador esté enchufado. Si no lo está, enchufe firmemente el cordón en una tomacorriente del voltaje apropiado. • Revise el fusible o cortacircuitos. Enchufe otro artefacto en el mismo tomacorriente de pared y si no funciona, reemplace el fusible o reajuste el cortacircuitos. • Si el control del congelador está activado, si funcionan las luces pero los dos ventiladores y el compresor no funcionan, el refrigerador podría estar en el ciclo de descarchado. Espere 40 minutos para ver si vuelve a arrancar.
Aún no funciona el refrigerador.	<ul style="list-style-type: none"> • Desenchufe el refrigerador. Cambie los alimentos a otro refrigerador o ponga hielo seco en la sección del congelador para conservar los alimentos. Llame para solicitar servicio.
La temperatura de los alimentos parece estar demasiado tibia.	<ul style="list-style-type: none"> • Vea las secciones anteriores. • Deje que transcurra suficiente tiempo para que los alimentos tibios recientemente guardados alcancen la temperatura del refrigerador o del congelador. Al añadir alimentos se calienta el refrigerador y puede tomarle algunas horas volver a la temperatura normal. • Revise los empaques para ver si sellan correctamente. Los empaques deben sellar ajustadamente al gabinete. • Limpie los serpentín del condensador. Vea las instrucciones para el "Serpentín del condensador": en la sección "Controles". • Ajuste el control del refrigerador o del congelador. Vea las instrucciones en "Ajuste de los controles" en la sección "Controles". • Las luces del congelador o refrigerador permanecen encendidas. Si la luz permanece encendida, llame para solicitar servicio. • Las ventilas de aire están obstruidas y restringen la circulación del aire frío. Ubique las ventilas usando su mano para sentir el flujo de aire y mueva todos los paquetes que obstruyan las ventilas y restrinjan el flujo de aire.
La temperatura del cajón para carne Chiller Fresh™ está muy tibia	<ul style="list-style-type: none"> • Deslice el control a una posición más fría. • Ajuste el control del congelador a una temperatura más fría. Vea las instrucciones en "Ajuste de los controles" en la sección "Controles".
La temperatura de los alimentos es demasiado fría.	<ul style="list-style-type: none"> • Limpie los serpentín del condensador. Vea las instrucciones para el "Serpentín del condensador": en la sección "Controles". • Ajuste el control del refrigerador o del congelador. Vea las instrucciones en "Ajuste de los controles" en la sección "Controles". • Ajuste el control del congelador una posición más tibia. Vea las instrucciones en "Ajuste de los controles" en la sección "Controles". Deje que pasen varias horas para que la temperatura se ajuste. • Compruebe que la tapa de plástico esté colocada en el lado opuesto del cajón para carnes. Consulte la sección "Cajón para carnes".
El refrigerador se acciona con demasiada frecuencia.	<ul style="list-style-type: none"> • Podría ser normal para mantener una temperatura constante. • Las puertas se han abierto frecuentemente o durante períodos prolongados de tiempo. Cuando se abre la puerta el aire tibio entra al refrigerador. Entre más se abre la puerta mayor es el aire tibio que el refrigerador tiene que enfriar. • Deje que transcurra suficiente tiempo para que los alimentos tibios recientemente guardados alcancen la temperatura del refrigerador o del congelador. Al añadir alimentos se calienta el refrigerador y puede tomarle algunas horas volver a la temperatura normal. • Limpie los serpentín del condensador. Vea las instrucciones para el "Serpentín del condensador": en la sección "Controles". • Ajuste el control del congelador. Vea las instrucciones en "Ajuste de los controles" en la sección "Controles". • Revise los empaques para ver si sellan correctamente. Los empaques deben sellar ajustadamente al gabinete. • La luz del congelador permanece encendida. Si la luz permanece encendida, quite el foco y llame para solicitar servicio. • Cerciórese de que el refrigerador esté nivelado. Consulte la sección "Nivelación del refrigerador" en las instrucciones de instalación.

Problema	Solución
Se forman gotas de agua dentro del refrigerador	<ul style="list-style-type: none"> • Es normal durante períodos de alta humedad o si se abren las puertas con mucha frecuencia. • Envuelva bien los alimentos y seque los recipientes húmedos antes de guardarlos en el refrigerador para evitar la acumulación de humedad.
Los cajones para carne Chiller Fresh™ o para verduras no cierran con facilidad (en algunos modelos)	<ul style="list-style-type: none"> • Revise si hay un paquete que impida que cierre bien el cajón. • Compruebe que el cajón esté en la posición correcta. • Limpie los canales del cajón con agua tibia y jabonosa. Enjuague y seque bien. • Aplique una capa delgada de vaselina a los canales del cajón. • Compruebe que el refrigerador esté nivelado.
El refrigerador tiene mal olor.	<ul style="list-style-type: none"> • Consulte las instrucciones para la "Eliminación de olores" en la sección de "Cuidado y limpieza".
El refrigerador hace sonidos poco comunes que parecen demasiado altos.	<ul style="list-style-type: none"> • Podría ser normal. Consulte la sección de "Sonidos normales del funcionamiento".
Los cubos de hielo tienen mal olor.	<ul style="list-style-type: none"> • Consulte las instrucciones para la "Eliminación de olores" en la sección de "Cuidado y limpieza". • La máquina para hacer hielo se instaló recientemente. Deseche varios lotes de hielo para evitar hielos descoloridos o con mal sabor. • Hay alimentos que no están bien sellados en el compartimiento del refrigerador o del congelador. Vuelva a envolver los alimentos ya que los olores pueden impregnar el hielo si los alimentos no están apropiadamente envueltos. • Deseche el hielo y lave el recipiente o las bandejas más frecuentemente. Los cubos de hielo son porosos y absorben fácilmente los olores. • El suministro de agua contiene minerales tales como sulfuro. En algunos casos se necesita instalar un filtro para eliminar los problemas con el sabor y con el olor.
Los cubos de hielo se pegan o se "encogen".	<ul style="list-style-type: none"> • Vacíe el recipiente o las bandejas para hielo con más frecuencia. Si se usan con poca frecuencia, los cubos pueden pegarse o encogerse.
La máquina de hielo (en algunos modelos) no está haciendo hielo.	<ul style="list-style-type: none"> • La presión del agua puede estar muy baja o muy alta. La máquina de hielo requiere una presión de agua de 20 a 100 psi para funcionar de modo apropiado. • Compruebe que el brazo de la máquina • Compruebe que el suministro de agua llega a la válvula de agua. Asegúrese que la llave de la válvula de agua esté completamente abierta. • Se usó una válvula de tipo de penetración o de silla de $\frac{3}{16}$" para la conexión. Ambas reducen el flujo de agua y pueden obstruirse con el tiempo. Reemplace estas válvulas con el tipo correcto de válvula de silla que requiere que se haga un orificio de $\frac{1}{4}$" en la tubería de suministro de agua antes de conectar la válvula. • Compruebe que los alambres del arnés de la máquina de hielo están completamente dentro de los orificios apropiados. • Revise para ver si hay torceduras en las tuberías de cobre o de plástico. Elimine las torceduras o reemplace la tubería. • Revise las conexiones eléctricas al serpentín de la válvula del agua y el bloc conector en el gabinete del refrigerador. • Si se instaló un filtro de agua en la línea de agua afuera del refrigerador, revise el filtro para ver si hay obstrucciones o si fue instalado incorrectamente.
La máquina de hielo (en algunos modelos) no produce suficiente hielo.	<ul style="list-style-type: none"> • La máquina de hielo se instaló recientemente o se usó recientemente una cantidad grande de hielo. Espere 24 horas para que la producción de hielo comience y para que la máquina de hielo se surta después de ser vaciada. • Compruebe que el suministro de agua llega a la válvula de agua. Asegúrese que la llave de la válvula de agua esté completamente abierta. • Se usó una válvula de tipo de penetración o de silla de $\frac{3}{16}$" para la conexión. Ambas reducen el flujo de agua y pueden obstruirse con el tiempo. Reemplace estas válvulas con el tipo correcto de válvula de silla que requiere que se haga un orificio de $\frac{1}{4}$" en la tubería de suministro de agua antes de conectar la válvula. • Revise para ver si hay torceduras en las tuberías de cobre o de plástico. Elimine las torceduras o reemplace la tubería. • Compruebe que la sección del congelador está funcionando a la temperatura apropiada. El congelador debe estar lo suficientemente frío para producir hielo. Vea la sección de "Ajuste de los controles".
Se forma hielo en el tubo de entrada de la máquina de hielo.	<ul style="list-style-type: none"> • Revise la presión del agua. La presión de agua baja causa que la válvula gotee. • Se usó una válvula de tipo de penetración o de silla de $\frac{3}{16}$" para la conexión. Ambas reducen el flujo de agua y pueden obstruirse con el tiempo. Reemplace estas válvulas con el tipo correcto de válvula de silla que requiere que se haga un orificio de $\frac{1}{4}$" en la tubería de suministro de agua antes de conectar la válvula.

Garantía completa de un año Garantía completa de cinco años en los componentes del sistema sellado y en el revestimiento del compartimiento de los alimentos

Primer año

Amana Appliances reparará o reemplazará sin cargo alguno, cualquier pieza que esté defectuosa debido a la mano de obra o a los materiales.

Del segundo al quinto año

Amana Appliances reemplazará, sin cargo alguno, cualquier componente del sistema sellado (compresor, condensador, evaporador, drier, y la tubería de interconexión) y reparará cualquier revestimiento del compartimiento de los alimentos (excluyendo el revestimiento de la puerta) que esté defectuoso debido a la mano de obra o a los materiales.

Limitaciones de la garantía

- Comienza a partir de la fecha de la compra original.
- Se aplica a productos que se van a usar dentro de los Estados Unidos o en Canadá, si el producto viene de la fábrica con la aprobación de la Asociación de Normas Canadienses.
- El servicio debe realizarlo un técnico de Amana **autorizado**.

La garantía se anulará si:

- La placa del número de serie está borrosa o ilegible.
- Se le ha dado uso comercial al producto, se ha rentado o alquilado.
- El producto tiene algún defecto o daño debido a un accidente, alteración, conexión eléctrica incorrecta, incendio, inundación, relámpagos, u otras condiciones fuera del control de Amana Appliances
- El producto ha sido instalado o usado incorrectamente.

Responsabilidades del propietario

- Proporcionar evidencia de compra (recibo).
- Proporcionar cuidado y mantenimiento normales. Reemplazar los artículos reemplazables por el propietario de acuerdo con las instrucciones que aparecen en el Manual del propietario.
- Permitir que el producto sea razonablemente accesible por el personal de servicio.
- Pagar una compensación de los gastos de servicio por los servicios prestados por el técnico fuera de su horario habitual de trabajo.
- Pagar por las llamadas para solicitar servicio relacionado con la instalación del producto.

En ningún caso Amana Appliances se hará responsable de daños incidentales o emergentes, incluyendo la pérdida de alimentos*

*Esta garantía otorga derechos legales específicos y puede ser que existan otros derechos que difieren de un estado a otro. Por ejemplo, algunos estados no permiten la exclusión o limitación de los daños incidentales o emergentes, por lo tanto, es posible que esta exclusión no le afecte a usted.

Amana Appliance L.C.
2800 220th Trail
Amana, IA 52204-0001
1-800-843-0304 o 1-319-622-5511
www.amana.com



Table des Matières

Pièces et accessoires	48
Normes électriques	48
Identification du modèle	48
Service après-vente	49
Plan de service après-vente prolongé Asure MC	49
Mise au rebut de réfrigérateur	49
Espace nécessaire	49
Consignes relatives aux modèles à portes inversées	50
Retrait des portes et des charnières	50
Pour inverser la porte	50
Remise en place des portes	51
Consignes relatives aux modèles avec tiroir congélateur coulissant	52
Retrait de la porte et des charnières	52
Inversion de la porte du réfrigérateur	52
Remise en place de la porte du réfrigérateur	53
Retrait et remise en place du tiroir coulissant du congélateur	53
Raccordement de l'appareil à glace à l'alimentation en eau (certains modèles)	55
Nivelación del refrigerador	56
Modèles à portes inversées	56
Modèles avec tiroir congélateur coulissant	56
Liste de contrôle d'installation	57
Commandes	58
Commandes congélateur et réfrigérateur	58
Réglage des commandes	58
Composants du réfrigérateur	58
Tablettes du réfrigérateur	58
Range-bouteilles (certains modèles)	58
Tiroir réglable Deli Drawer™ (certains modèles)	59
Bacs à légumes Garden Fresh™ (certains modèles)	59
Système Chiller Fresh™ (certains modèles)	60
Porte-bouteilles (certains modèles)	61
Bac utilitaire avec couvercle (certains modèles)	61
Casier laitier (certains modèles)	61
Bacs de porte	61
Dispositif de retenue pour articles en hauteur	61
Balconnets de porte	61
Séparateur réglable (certains modèles)	62
Stabilisateur de bouteilles	62
Composants du congélateur	62
Système auto-dégivrant	62
Machine à glaçons automatique (certains modèles)	62
Grille utilitaire à glaçons (certains modèles)	62
Tablette coulissante (certains modèles)	63
Séparateur de tablette vertical (certains modèles)	63
Clayette métallique (certains modèles)	63
Panier métallique	63
Bac à glace (certains modèles)	63
Séparateur de bac vertical (certains modèles)	63
Bac inclinable (certains modèles)	64
Tiroirs coulissants (certains modèles)	64
Anti-givre (certains modèles)	64
Entretien et nettoyage	64
Général	64
Nettoyage de l'acier inoxydable	64
Adhésifs	64
Joints de porte	65
Bobine de condensateur	65
Clayettes en verre	65
Suppression des odeurs	65
Remplacement des ampoules électriques	65
Conseils pour les vacances	66
Conseils pour économiser l'énergie	66
Bruits normaux	67
Avant d'appeler le service de dépannage	68
Garantie	70

Remarque: La traduction peut parfois donner à des variations dans le sens des termes. Dans tous les cas où il y aura une différence de sens, la version anglaise de ce document prévaut.

Pièces et accessoires

Des pièces de rechange et accessoires supplémentaires (ex., clayettes de réfrigérateur, égouttoirs ou modules de plaque de cuisson) peuvent être commandés par téléphone. Pour obtenir un accessoire Amana, appeler le 1-800-843-0304 depuis les États-Unis et le 1-319-622-5511 de l'étranger. Il est également possible de communiquer avec nous par l'entremise de notre site Web à l'adresse www.amana.com.

Normes électriques

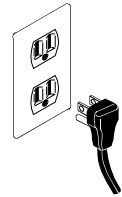


MISE EN GARDE

Ne jamais couper ou enlever la broche ronde de mise à la terre de la fiche. Le réfrigérateur doit être mis à la terre en tout temps. Ne jamais enlever l'étiquette d'avertissement du cordon d'alimentation.

Ne jamais utiliser d'adaptateur à deux broches. Ne jamais utiliser de rallonge.

Instructions de mise à la terre - Ce réfrigérateur est muni d'une fiche à 3 broches pour prévenir le risque d'électrocution. Si une prise de courant à deux broches est présente, contacter un électricien qualifié et la faire remplacer par une prise de courant à trois broches correctement mise à la terre, conformément aux normes du Code national de l'électricité.



Le réfrigérateur est conçu pour fonctionner sur une ligne séparée de 60 Hz, 15 ampères, de 103 à 126 volts.

Identification du modèle

Merci d'avoir fait l'achat d'un réfrigérateur Amana®. Veuillez lire attentivement le manuel du propriétaire. Ce manuel renferme des renseignements sur l'entretien de l'appareil. Pour toute question, appeler le service à la clientèle au 1-800-843-0304 aux États-Unis et le 1-319-622-5511 à l'extérieur des États-Unis. Il est également possible de communiquer avec nous par l'entremise de notre site Web à l'adresse www.amana.com.

Remplir la carte d'enregistrement et la renvoyer promptement. Si aucune carte d'enregistrement n'est fournie, appeler le service à la clientèle. **Veillez conserver une copie de la facture** pour référence future.

Lorsque vous communiquez avec Amana, veuillez fournir les renseignements concernant l'appareil. Les renseignements concernant l'appareil se trouvent sur la plaque signalétique située dans la partie supérieure du compartiment réfrigérateur.

Veillez noter les renseignements suivants :

Numéro de modèle : _____

Numéro de fabrication : _____

Numéro de série : _____

Date d'achat : _____

Nom et adresse du marchand : _____



Ce symbole indique une mesure de sécurité.

Service après-vente

Veillez conserver une copie de la facture pour référence future ou pour obtenir des prestations de garantie. Appeler le **1-800-NAT-LSVC (1-800-628-5782) aux États-Unis** ou le **1-319-622-5511 à l'extérieur des États-Unis** pour connaître le centre de service agréé ou technicien indépendant agréé par Amana le plus près de chez vous. Il est également possible de communiquer avec nous par l'entremise de notre site Web à l'adresse www.amana.com. Les réparations sous garantie doivent être effectuées par un technicien agréé par Amana.

Amana recommande également de contacter un technicien agréé par elle-même si l'appareil nécessite une réparation suite à l'expiration de la garantie.

Programme d'entretien prolongé

Asure™

Amana est heureuse de vous offrir un programme d'entretien prolongé pour ce nouveau réfrigérateur. Ce programme Asure™ est spécialement conçu pour compléter l'excellente garantie d'Amana. Asure™ comprend les pièces, la main-d'œuvre et les frais de déplacement. Pour de plus amples renseignements, appeler le 1-800-528-2682. Appeler le 1-800-528-2682 ou visiter notre site Web à l'adresse www.amana.com.

Espace nécessaire



MISE EN GARDE

Conserver toutes matières ou vapeurs inflammables telles que l'essence à distance sûre du réfrigérateur. Le non respect de cette consigne risque d'entraîner une explosion, un incendie, des brûlures, voire la mort.

- Laisser un espace de 1 po (2,5 cm) au haut du réfrigérateur pour assurer un apport d'air suffisant.
- Si le réfrigérateur est équipé d'un appareil à glaçons, veiller à laisser suffisamment d'espace à l'arrière pour le raccordement à l'alimentation en eau. S'il n'est pas équipé d'appareil à glaçons, il peut toucher le mur arrière.
- Si le réfrigérateur est placé près d'un mur ou d'une cloison, laisser un minimum de 2½ po (64 mm) de chaque côté (en fonction du modèle) pour permettre l'ouverture de la porte à 90°.

REMARQUE : Ne pas placer le réfrigérateur près d'un four, d'un radiateur ou d'une autre source de chaleur ni



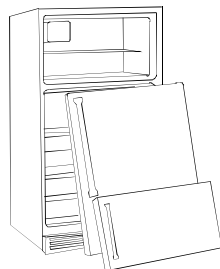
DANGER

Mise au rebut du réfrigérateur

IMPORTANT : Les enfants qui se trouvent enfermés dans un réfrigérateur et y meurent d'asphyxie ne sont pas un problème du passé. Les réfrigérateurs mis au rebut ou abandonnés sont encore dangereux, même s'ils ne sont là que "pour quelques jours". Lors de la mise au rebut d'un réfrigérateur, veiller à suivre les indications ci-dessous pour éviter les accidents.

AVANT DE JETER VOTRE VIEUX RÉFRIGÉRATEUR OU CONGÉLATEUR :

- **Enlever les portes.**
- **Laisser les étagères en place de façon à ce que les enfants aient des difficultés à se glisser à l'intérieur.**



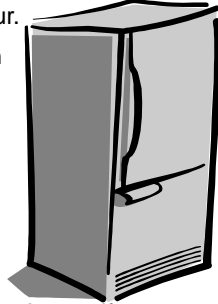
Consignes relatives aux modèles à portes inversées

Une mise en service correctement effectuée assure le fonctionnement efficace du réfrigérateur.

Amana ne peut être tenu responsable en cas d'installation inadéquate.

Note de service: modèles à porte recourbée seulement

Seul un technicien qualifié peut inverser cette porte. Pour faire inverser les portes, appeler le **1-800-843-0304**. Des frais seront exigés pour ce service.



Outils nécessaires

Tourne-écrou à six pans de $\frac{5}{16}$ "
Tourne-écrou à six pans de $\frac{1}{4}$ "
Tourne-écrou à six pans de $\frac{3}{8}$ "

Tournevis cruciforme
Ruban-cache
Couteau à mastic

IMPORTANT :

- Conserver toutes les vis pour les réutiliser.
- Lorsque le retrait de l'obturateur nécessite l'utilisation d'un tournevis à lame plate ou un couteau à mastic, la lame de l'outil doit être recouverte de ruban-cache adhésif pour ne pas endommager la finition du réfrigérateur. Pour les obturateurs utilisant une tête de type tournevis ou tourne-écrou, utiliser le tournevis approprié pour éviter d'endommager les obturateurs.

Retrait des portes et des charnières

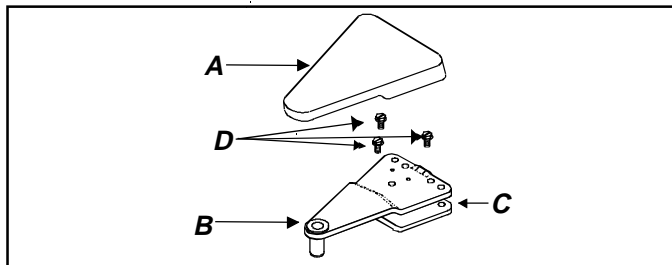
Certains installations exigent le retrait de la porte et des charnières avant de transporter l'appareil à son emplacement final.



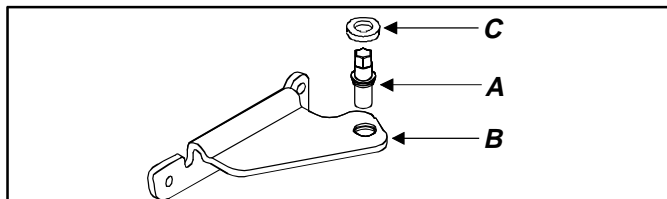
MISE EN GARDE

Pour éviter toute décharge électrique susceptible de causer des blessures graves ou mortelles, débrancher l'alimentation du réfrigérateur avant de retirer les portes. Rebrancher l'appareil une fois que les portes ont été remises en place.

1. Retirer le couvre-charnière supérieur (A). Celui-ci se désenclenche. Tout en soutenant la porte du réfrigérateur, retirer la charnière supérieure (B) et la cale (C) en utilisant un tournevis à tête hexagonale de $\frac{5}{16}$ " ou pour enlever les vis (D).

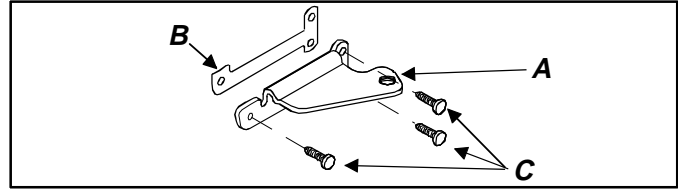


2. Soulever la porte du réfrigérateur hors de la charnière centrale.
3. Soulever le dispositif de fermeture de la porte (A) hors de la charnière centrale (B) à l'aide d'un tournevis à tête hexagonale de $\frac{5}{16}$ " po. Retirer et conserver toutes les rondelles-cales (C—some models).

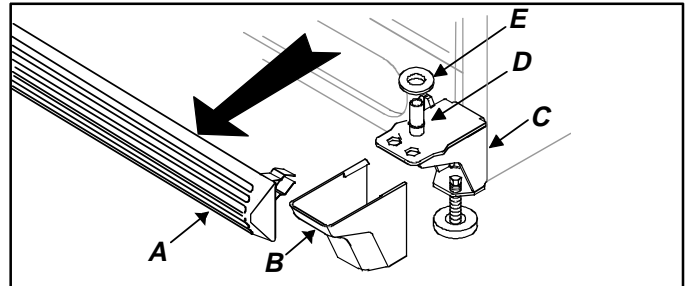


4. Retirer la porte du congélateur en soulevant la porte hors de la charnière inférieure.

5. Retirer le support de la charnière centrale (A) et la cale (B) en enlevant les vis (C) à l'aide d'un tournevis cruciforme.



6. Retirer la grille de ventilation (A) et le couvre-charnière inférieur (B). Les deux se désenclenchent.
7. Retirer la charnière inférieure et la cale (C) à l'aide d'un tournevis à tête hexagonale de $\frac{3}{8}$ " po. Retirer la broche de la charnière (D). Retirer et conserver toutes les rondelles-cales (E), s'il y a lieu.



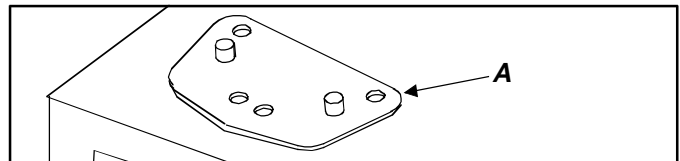
Pour inverser la porte

Dans certains cas, la porte doit être inversée pour permettre son ouverture complète. Pour inverser les portes, procéder comme suit:

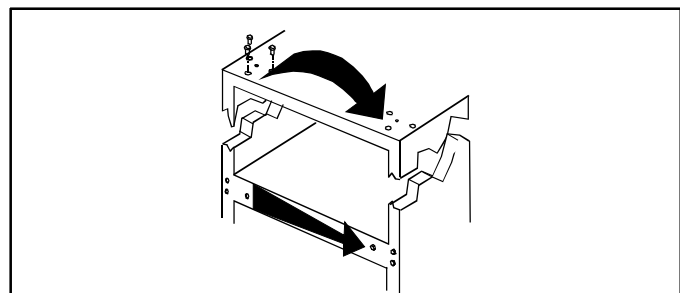
Note de service: modèles à porte recourbée seulement

Seul un technicien qualifié peut inverser cette porte. Pour faire inverser les portes, appeler le **1-800-843-0304**. Des frais seront exigés pour ce service.

1. Suivre le mode 'emploi à la section intitulée **Retrait des portes et des charnières**.
2. Enlever la cale de positionnement positif du dessus de l'appareil (A). **REMARQUE:** ne pas laisser la poussière et la saleté entrer en contact avec la surface adhésive de la cale avant de la remettre en place car cela pourrait nuire à la remise en place.

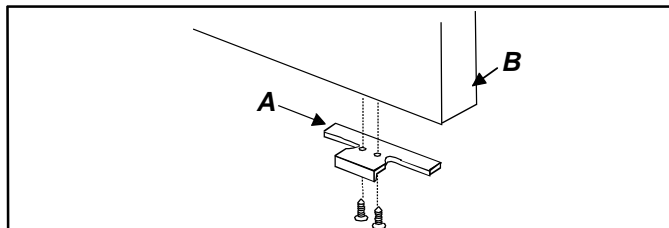


3. Transférer les trois obturateurs du coin supérieur dans les trous de fixation laissés vides par le retrait de la charnière supérieure.
4. Transférer trois vis à tête hexagonale de $\frac{5}{16}$ po du côté opposé à la charnière centrale, dans les trous laissés vides par le retrait de la charnière centrale.



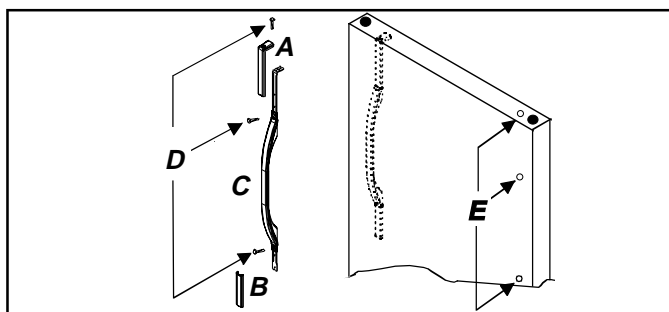
Retrait de la butée de porte

1. Dévisser les deux vis cruciformes pour retirer la butée de porte (A) du réfrigérateur et du congélateur (B). Conserver toutes les vis pour remettre la butée de porte en place.



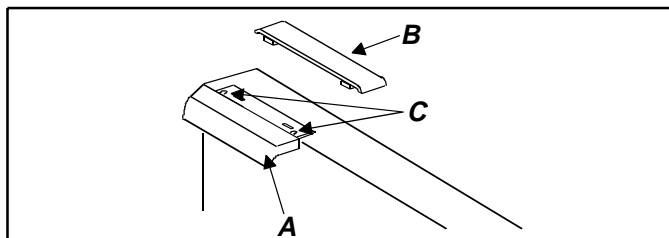
Inversion des poignées—modèle avec poignées installées à l'avant

1. Retirer la vis de la poignée de la moulure (A). Soulever le rebord de la moulure de la poignée (A & B) à l'aide d'un couteau à mastic recouvert de ruban-cache. Retirer la poignée (C) de la porte en enlevant la vis de montage qui reste de chaque côté de la poignée (D).
2. Retirer les bouchons du côté charnière de la porte (E). Remettre les bouchons en place dans les trous de montage vides.
3. Poser la poignée de porte du réfrigérateur (C) sur le côté opposé de la porte à l'aide des vis de montage retirées lors de l'étape précédente.
4. Enclencher la moulure de la poignée (A et B) en place et remettre la vis dans la partie supérieure de la poignée.

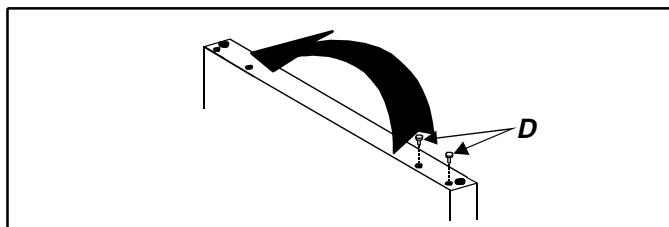


Inversion de la poignée de porte du congélateur

1. Repérer les deux encoches à l'arrière de la poignée de porte du congélateur (A). Insérer le couteau à mastic recouvert de ruban-cache. Soulever le rebord arrière du capuchon de la poignée (B) et le retirer de la poignée.
2. Retirer la poignée de la porte en enlevant les vis (C).



3. Transférer les bouchons (D) du côté opposé de la porte du congélateur dans les trous de montage vides.

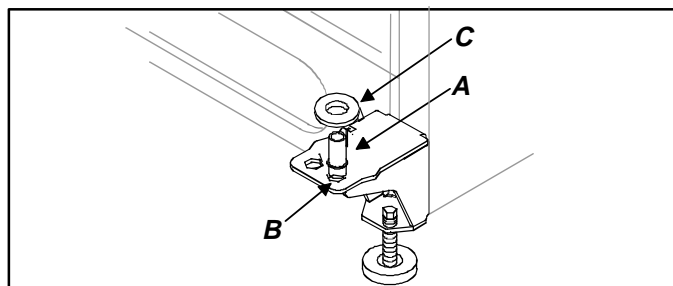


Remise en place de la butée de porte

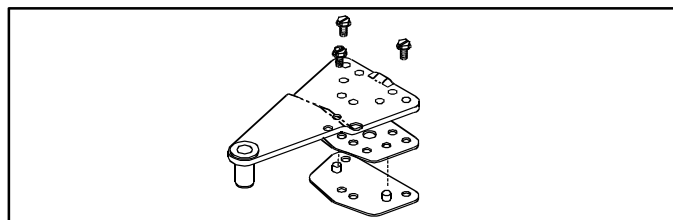
1. Placer la butée de porte du côté opposé à la poignée sur le dessous de la porte.

Remise en place des portes

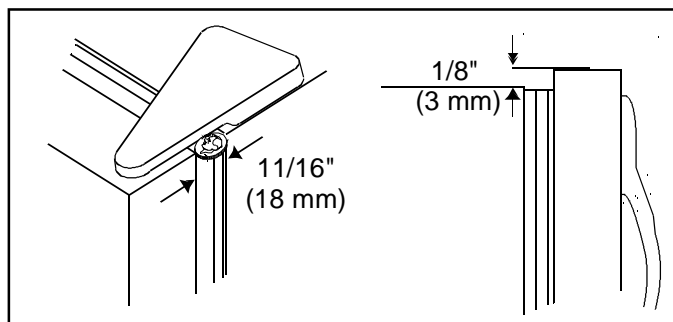
1. Remettre la charnière inférieure et les cales en place avec les vis hexagonales de $\frac{3}{8}$ " po provenant du retrait de la charnière.
2. Remettre la broche de charnière inférieure (A) dans le trou du support de charnière (B) vers l'extérieur de l'appareil. Remettre en place toutes les rondelles de calage (C—certains modèles).



3. Remettre la charnière centrale et les cales en place avec des vis cruciformes provenant du retrait de la charnière.
4. Placer la porte du congélateur sur la broche de charnière inférieure.
5. Remettre la broche de charnière centrale en place avec un tourne-écrou hexagonal de $\frac{5}{16}$ " po. S'assurer qu'elle est bien ajustée. Remettre toutes les rondelles de calage en place (certains modèles).
6. Assembler la charnière supérieure, la cale de la charnière et la cale de positionnement ensemble. Les fixer sans serrer au côté opposé de l'appareil pour faciliter le dégagement de la port.



7. Placer la porte du réfrigérateur sur la charnière centrale. Serrer la charnière supérieure pour bien retenir la porte.
8. Utiliser une pièce de dix cents dans la partie supérieure pour espacer la porte de $\frac{11}{16}$ " (18 mm) à partir de l'appareil. Le côté de la poignée de porte doit être environ $\frac{1}{8}$ " (3 mm) plus élevé que le côté de la charnière. La porte sera de niveau lorsqu'elle est remplie de nourriture.



9. Remettre le couvre charnière en place.

Remarque: si l'alimentation en eau automatique de la machine à glace est requise, raccorder le tuyau d'alimentation de la machine à glace. Sinon, passer à la rubrique intitulée Mise de niveau du réfrigérateur.

Consignes relatives aux modèles avec tiroir congélateur coulissant

Une mise en service correctement effectuée assure le fonctionnement efficace du réfrigérateur.

Amana ne peut être tenu responsable en cas d'installation inadéquate.

Outils nécessaires

Tournevis T-15 Torx™

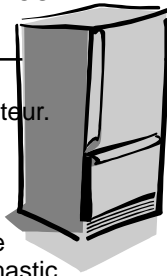
Tourne-écrou à six pans de $\frac{3}{8}$ "

Tourne-écrou à six pans de $\frac{5}{16}$ "

Ruban-cache

Couteau à mastic

Tournevis cruciforme



IMPORTANT :

- Conserver toutes les vis pour les réutiliser.
- Lorsque le retrait de l'obturateur nécessite l'utilisation d'un tournevis à lame plate ou un couteau à mastic, la lame de l'outil doit être recouverte de ruban-cache adhésif pour ne pas endommager la finition du réfrigérateur. Pour les obturateurs utilisant une tête de type tournevis ou tourne-écrou, utiliser le tournevis approprié pour éviter d'endommager les obturateurs.

Retrait de la porte et des charnières

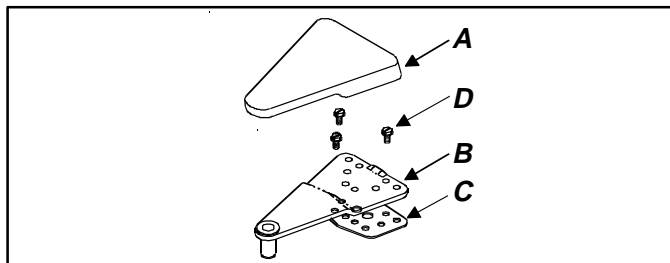
Certains installations exigent le retrait de la porte pour transporter l'appareil à son emplacement final.



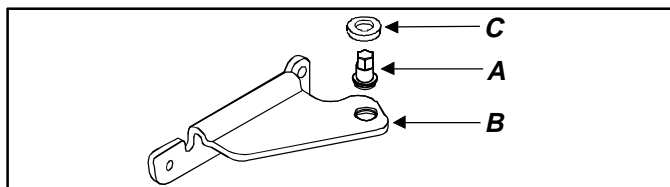
MISE EN GARDE

Pour éviter toute décharge électrique susceptible de causer des blessures graves ou mortelles, débrancher l'alimentation du réfrigérateur avant de retirer les portes. Rebrancher l'appareil une fois que les portes ont été remises en place.

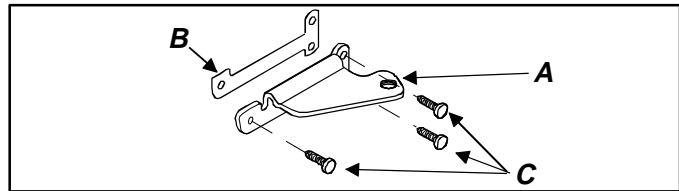
1. Retirer le couvre-charnière supérieur (A). Celui-ci se désenclenche. Tout en soutenant la porte du réfrigérateur, retirer la charnière supérieure (B) et la cale (C) en utilisant un tournevis à tête hexagonale de $\frac{5}{16}$ " ou pour enlever les vis (D).



2. Soulever la porte du réfrigérateur hors de la charnière centrale.
3. Soulever le dispositif de fermeture de la porte (A) hors de la charnière centrale (B) à l'aide d'un tournevis à tête hexagonale de $\frac{5}{16}$ " po. Retirer et conserver toutes les rondelles-cales (C—some models).



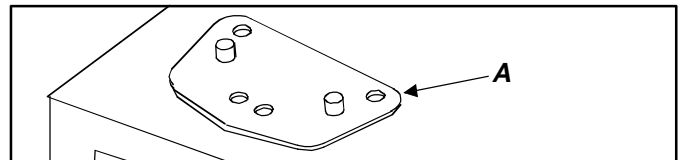
4. Retirer le support de la charnière centrale (A) et la cale (B) en enlevant les vis (C) à l'aide d'un tournevis cruciforme.



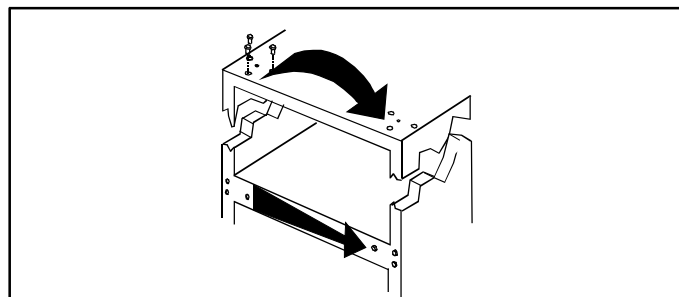
Inversion de la poignée

Dans certains cas, la porte doit être inversée pour permettre son ouverture complète. Pour inverser les portes, procéder comme suit:

1. Suivre le mode 'emploi à la section intitulée **Retrait de la porte et des charnières**
2. Enlever la cale de positionnement positif du dessus de l'appareil(A). **REMARQUE:** ne pas laisser la poussière et la saleté entrer en contact avec la surface adhésive de la cale avant de la remettre en place car cela pourrait nuire à la remise en place.

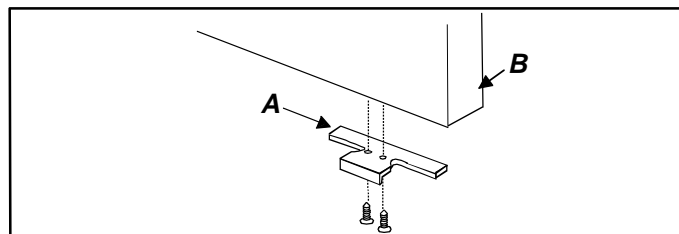


3. Transférer les trois obturateurs du coin supérieur dans les trous de fixation laissés vides par le retrait de la charnière supérieure.
4. Transférer trois vis à tête hexagonale de $\frac{5}{16}$ po du côté opposé à la charnière centrale, dans les trous laissés vides par le retrait de la charnière centrale.



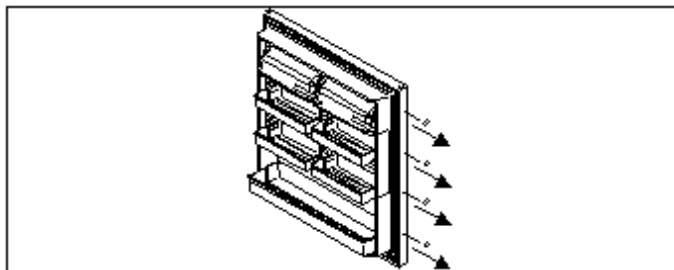
Retrait de la butée de porte

1. Dévisser les deux vis cruciformes pour retirer la butée de porte (A) du réfrigérateur (B). Conserver toutes les vis pour remettre la butée de porte en place.

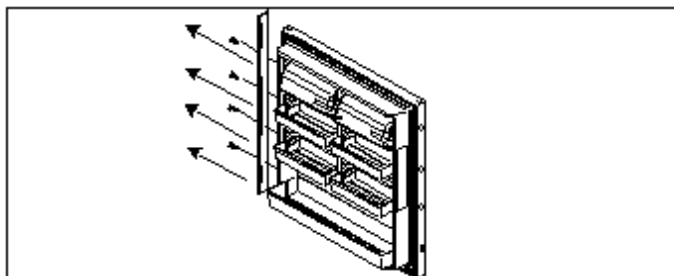


Inversion de la poignée

1. Retirer les bouchons de porte du rebord de la porte. Les conserver pour les remettre en place ultérieurement.



2. Enlever les vis Torx pour dégager la poignée de la porte. Conserver les vis pour les remettre en place.



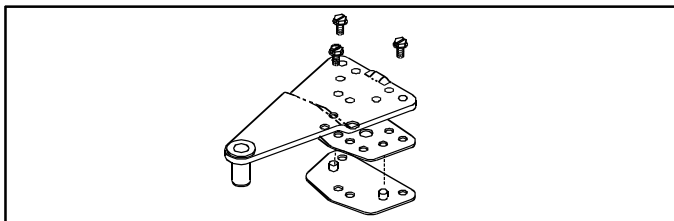
3. Fixer la poignée sur le côté opposé de la porte à l'aide des vis provenant du retrait de la porte.
4. Placer les bouchons dans les trous sur le rebord de la porte du côté opposé à la poignée.

Remise en place de la butée de porte

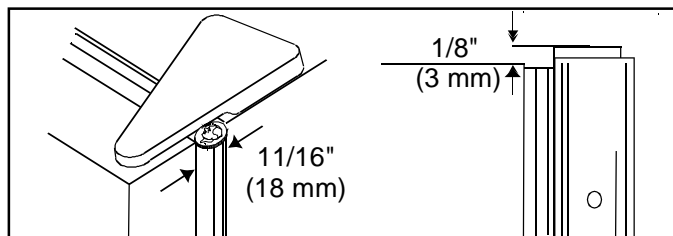
1. Fixer la butée de porte du côté opposé à la poignée sur le dessous de la porte.

Remise en place de la porte du réfrigérateur

1. Remettre la charnière centrale et les cales en place avec les vis cruciformes provenant du retrait de la charnière.
2. Remettre la broche de charnière centrale en place avec un tourne-écrou hexagonal de $\frac{5}{16}$ po. S'assurer qu'elle est bien ajustée. Remettre toutes les rondelles de calage en place (**certaines modèles**).
3. Assembler la charnière supérieure, la cale de la charnière et la cale de positionnement ensemble. Les fixer sans serrer au côté opposé de l'appareil pour faciliter le dégagement de la porte.



4. Placer la porte du réfrigérateur sur la charnière centrale. Serrer la charnière supérieure pour bien retenir la porte.
5. Utiliser une pièce de dix cents dans la partie supérieure pour espacer la porte de $\frac{11}{16}$ po (18 mm) à partir de l'appareil. Le côté de la poignée de porte doit être environ $\frac{1}{8}$ po (3 mm) plus élevé que le côté de la charnière. **La porte sera de niveau lorsqu'elle est remplie de nourriture.**



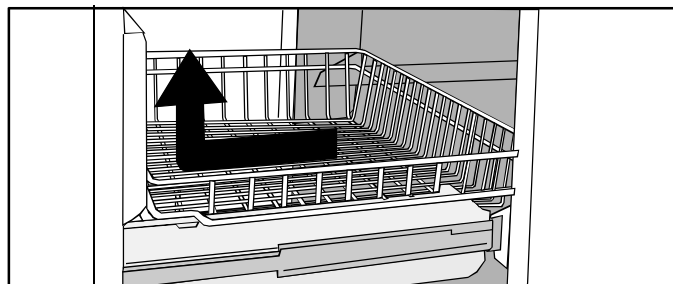
6. Remettre le couvre-charnière en place.

Remarque : si l'alimentation en eau automatique de la machine à glace est requise, raccorder le tuyau d'alimentation de la machine à glace. Sinon, passer à la rubrique intitulée Mise de niveau du réfrigérateur.

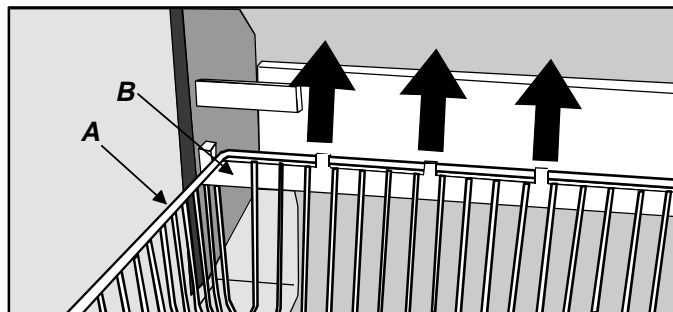
Retrait et remise en place du tiroir coulissant du congélateur

Retrait du tiroir du congélateur

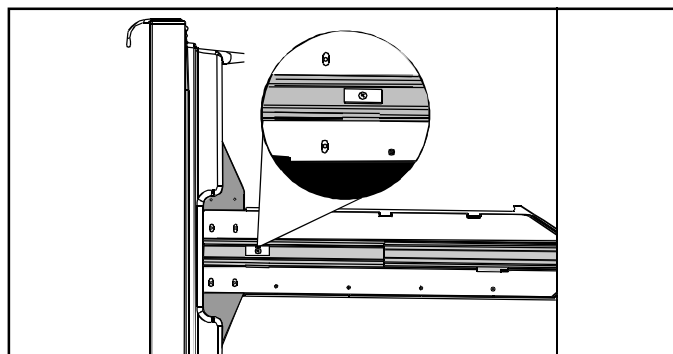
1. Ouvrir le tiroir du congélateur jusqu'au bout.
2. Vider tous les articles des paniers.
3. Faire glisser le panier métallique supérieur jusqu'au bout et le soulever pour le retirer.



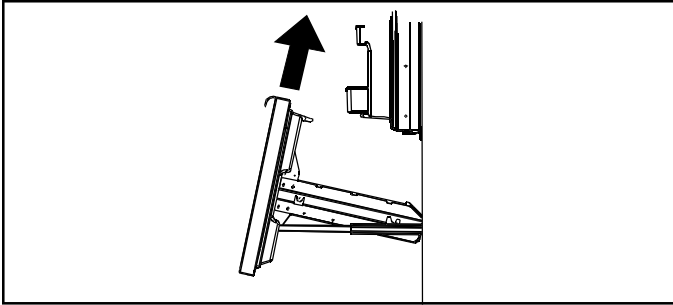
4. Retirer le panier inférieur (A) en le soulevant des crémaillères (B).



5. Retirer la vis cruciforme de chaque côté des crémaillères du tiroir. **NE PAS** retirer les vis hexagonales des crémaillères.

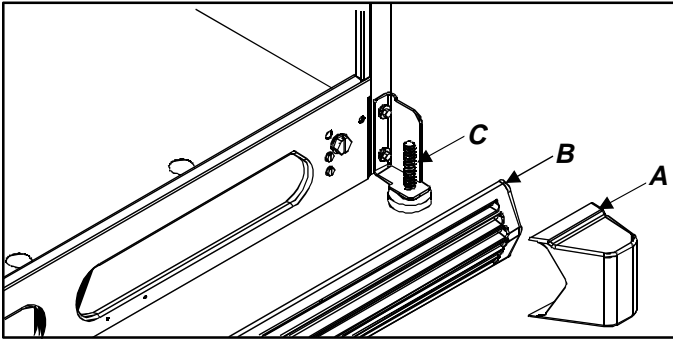


6. Soulever la poignée avant du tiroir du congélateur pour désenclencher les crochets des crémaillères des crémaillères intérieures. Soulever le tiroir pour le retirer.



Consignes optionnelles pour régler les problèmes de dégagement lors du transport

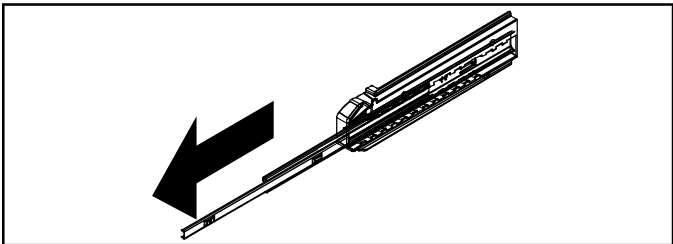
1. Retirer les deux couvre-pieds de stabilisation (A) et la grille (B). Les deux se désenclenchent.
2. Retirer les deux supports de stabilisation (C) avec un tourne-écrou hexagonal de $\frac{3}{8}$ po.



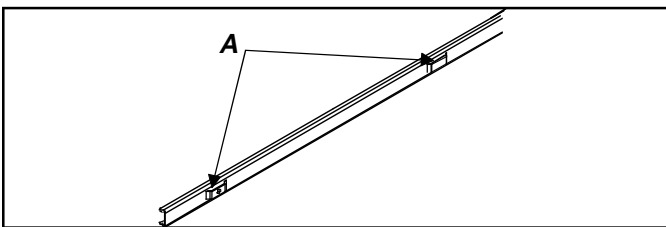
Remise en place du tiroir du congélateur

IMPORTANT : La présence de deux personnes peut être nécessaire pour achever cette procédure.

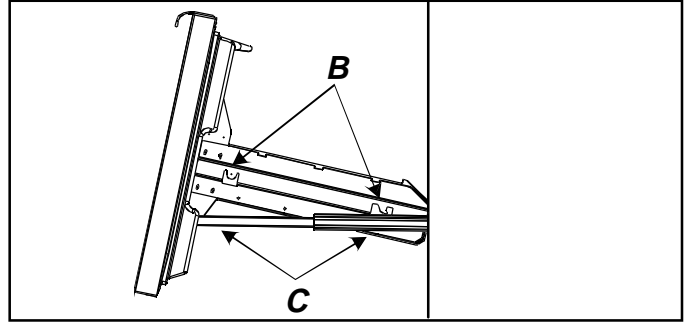
1. Étirer les deux crémaillères intérieures pleine grandeur de chaque côté de l'appareil.



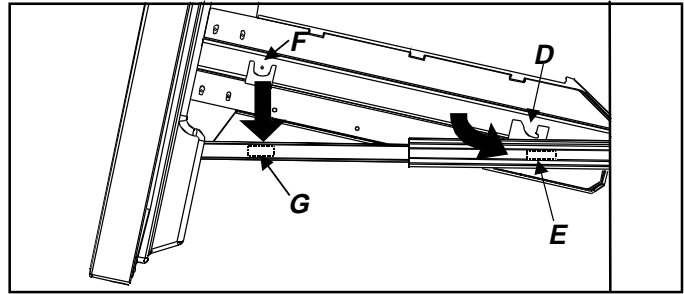
2. Repérer les encoches (A) dans les deux rallonges de crémaillères intérieures.



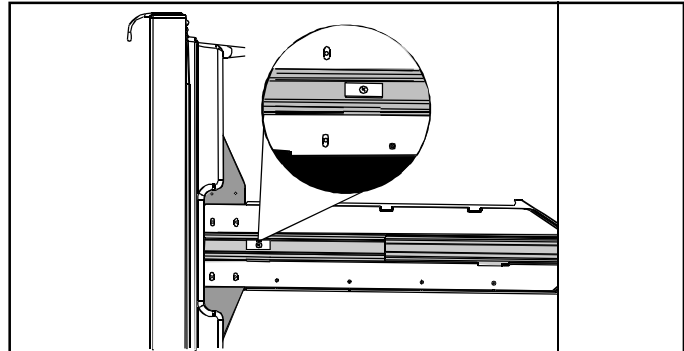
3. Insérer l'attache du crochet (D) dans l'encoche (E) selon un angle de 45 degrés. Insérer l'attache (F) dans l'encoche (G) en abaissant l'extrémité de la poignée.



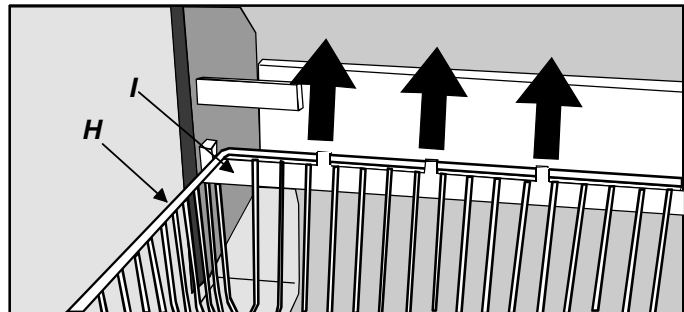
4. Insérer l'attache du crochet (D) dans l'encoche (E) selon un angle de 45 degrés. Insérer l'attache (F) dans l'encoche (G) en abaissant l'extrémité de la poignée.



5. Remettre les vis cruciformes en place sur les deux rallonges des crémaillères.



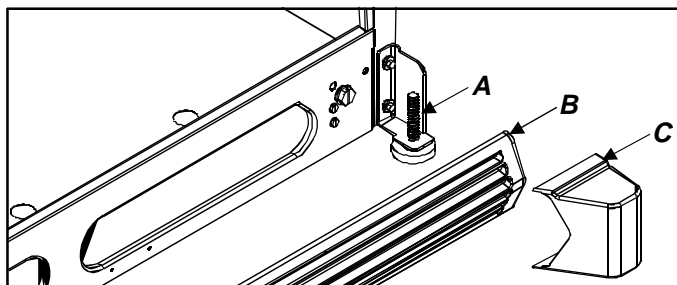
6. Remettre le panier inférieur (H) en le plaçant dans les crémaillères (I).



7. Faire glisser le panier supérieur dans le compartiment supérieur.

Consignes optionnelles pour régler les problèmes de dégagement lors du transport

1. Remettre les deux pieds de stabilisation (**A**) en place avec un tourne-écrou hexagonal de $\frac{3}{8}$ po.
2. Remettre la grille (**B**) et les deux couvre-pieds de stabilisation (**C**). Voir les marques à l'intérieur de la grille pour assurer le positionnement adéquat.
 - **Enclencher la portion supérieure en place d'abord.** Appuyer sur la partie inférieure de la grille jusqu'à ce qu'elle s'enclenche en place.



Raccordement de l'alimentation en eau de la machine à glace (certains modèles)

DANGER

Pour éviter tout risque d'électrocution pouvant causer des blessures graves voire mortelles, débrancher le réfrigérateur avant de faire le raccordement à l'alimentation en eau. Le rebrancher une fois le raccordement effectué.

ATTENTION

Observer les consignes suivantes pour éviter tout dommage matériel:

- S'assurer que la pression de l'eau à l'électrovanne est bien entre 20 et 100 livres par pouce carré (138 et 690 kPa).
- Serrer les raccords et les écrous à l'aide de pinces et de clés. Serrer le raccord et les écrous de l'adaptateur avec une clé anglaise. Ne pas trop serrer.
- Vérifier qu'il n'y a pas de fuites et les réparer s'il y a lieu avant de mettre le réfrigérateur à son emplacement final. Procéder à une nouvelle vérification 24 heures après le raccordement.

IMPORTANT:

- Avant d'effectuer le raccordement à l'alimentation en eau, contacter un plombier pour raccorder la conduite en cuivre à l'arrivée d'eau de la maison conformément aux codes et règlements locaux.
- NE PAS utiliser de robinet à étrier de $\frac{3}{16}$ po (5 mm) ni de robinet auto-taraudeur. L'un comme l'autre réduisent le débit d'eau, se bouchent au fil des années et peuvent provoquer des fuites lorsqu'on essaie de les réparer. Le type correct – **un robinet d'arrêt** – exige le perçage d'un trou de $\frac{1}{4}$ po dans le tuyau d'alimentation avant de fixer le robinet.
- Ne pas installer de tuyau en cuivre dans un endroit où la température descend sous 32 °F (0 °C).

Matériel nécessaire

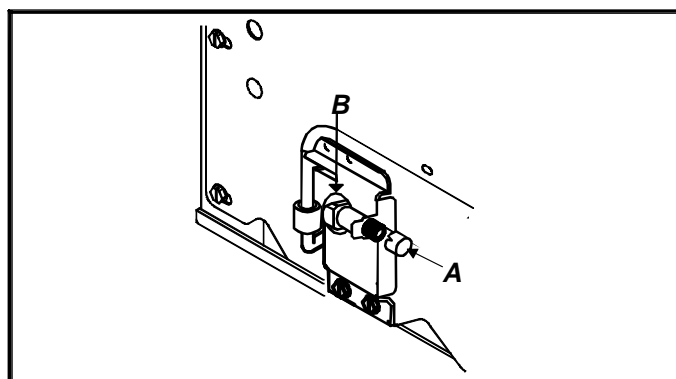
Une tubulure flexible en cuivre de diamètre externe de $\frac{1}{4}$ po (6 mm)

Clé ouverte de $\frac{1}{2}$ po

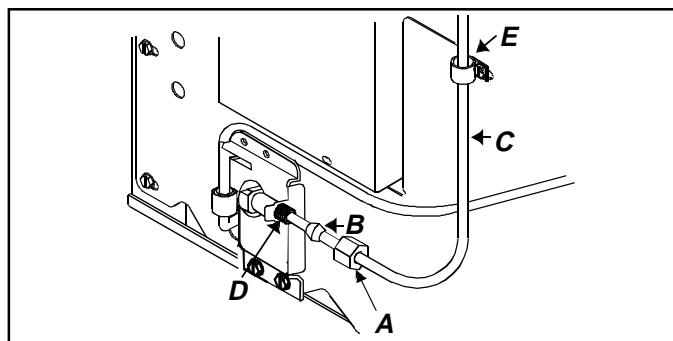
La longueur de la conduite doit être suffisante pour couvrir la distance entre l'arrivée d'eau de l'électrovanne et le point de raccordement à l'alimentation en eau à l'arrière du réfrigérateur, additionnée de 8 pi (2 mm) pour former une boucle permettant le déplacement de celui-ci sans avoir à désolidariser la conduite.

Marche à suivre

1. Enlever le capuchon en plastique (**A**) de l'orifice d'arrivée d'eau de l'électrovanne (**B**).



2. Placer l'écrou en laiton (**A**) et le manchon en laiton (**B**) sur le tuyau en cuivre (**C**). (L'écrou et le manchon en laiton se trouvent dans le paquet d'accessoires qui accompagnent l'appareil.) Visser l'écrou en laiton qui se trouve sur le tuyau en cuivre sur l'orifice d'arrivée d'eau de l'électrovanne (**D**). S'assurer que le tuyau en cuivre est bien fixé en tirant dessus.
3. Ouvrir le robinet et vérifier la présence de fuites. Corriger toute fuite au niveau du raccord. Veiller à ne pas trop serrer le raccord.
4. Créer une boucle de service en prenant soin d'éviter tout entortillement. Fixer le tuyau en cuivre (**C**) au réfrigérateur avec une pince en P (**E**).



5. Passer à l'étape **Mise à niveau du réfrigérateur** pour la mise en place définitive du réfrigérateur.

Nivelación del refrigerador

Modèles à portes inversée

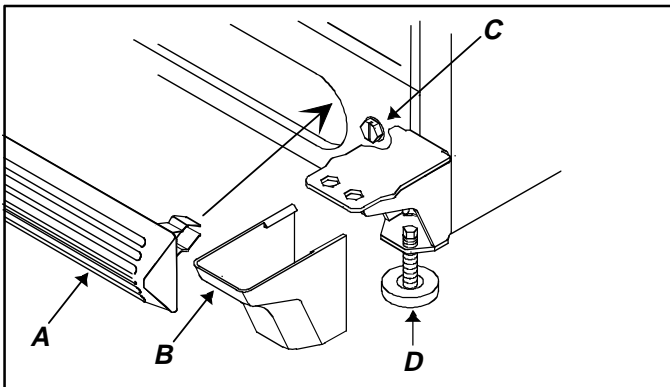


ATTENTION

Pour éviter tous dommages, protéger les planchers en vinyle ou de tout autre type avec du carton, de la moquette ou un autre matériau protecteur.

Si le réfrigérateur exige le raccordement de l'alimentation en eau à la machine à glace, raccorder celle-ci avant de mettre le réfrigérateur de niveau.

1. Brancher le réfrigérateur.
2. Le mettre à son emplacement final.
3. Pour mettre le réfrigérateur à plat, placer un niveau sur le dessus de l'appareil et procéder de la manière suivante:
 - Enlever la grille de ventilation **(A)**. Enlever le couvre-charnière inférieur **(B)**.
 - Tourner les vis de réglage **(C)** du rouleau à tête hexagonale de $\frac{3}{8}$ po pour élever ou abaisser le coffrage du réfrigérateur. L'avant du réfrigérateur doit être $\frac{1}{4}$ po (6 mm), ou $\frac{1}{2}$ bulle sur le niveau, plus élevé que l'arrière.
 - S'assurer que le réfrigérateur est de niveau d'un côté à l'autre en ajustant la vis de réglage **(C)** à gauche et à droite.
 - Tourner le pied de stabilisation **(D)** dans le sens horaire jusqu'à ce qu'il repose fermement sur le plancher.
4. Remettre la grille de ventilation **(A)** et le couvre-charnière inférieur **(B)**. Repérer la flèche imprimée sur l'intérieur de la grille pour déterminer l'emplacement adéquat.
 - Enclencher d'abord la partie supérieure en place. Appuyer sur la partie inférieure de la grille jusqu'à ce qu'elle s'enclenche en place.



5. Lire la **Liste de vérification** figurant dans le manuel du propriétaire avec le client.

Modèles les avec tiroir de congélateur coulissant

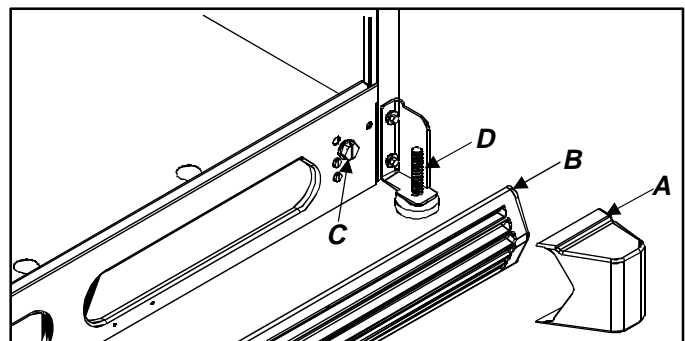


ATTENTION

Pour éviter tous dommages, protéger les planchers en vinyle ou de tout autre type avec du carton, de la moquette ou un autre matériau protecteur.

Si le réfrigérateur exige le raccordement de l'alimentation en eau à la machine à glace, raccorder celle-ci avant de mettre le réfrigérateur de niveau.

1. Brancher le réfrigérateur.
2. Le mettre à son emplacement final.
3. Pour mettre le réfrigérateur à plat, placer un niveau sur le dessus de l'appareil et procéder de la manière suivante:
 - Retirer le couvre-pied de stabilisation **(A)**. Retirer la grille **(B)**.
 - Tourner les vis de réglage pivotantes **(C)** pour soulever ou abaisser le réfrigérateur. Le devant du réfrigérateur doit être $\frac{1}{4}$ po (6 mm), ou $\frac{1}{2}$ bulle sur le niveau, plus élevé que l'arrière.
 - S'assurer que le réfrigérateur est de niveau d'un côté à l'autre en réglant la vis de réglage pivotante de droite et de gauche **(C)**.
 - Tourner les deux pieds de stabilisation **(D)** dans le sens horaire jusqu'à ce qu'ils soient appuyés fermement contre le plancher.
 - Tourner la vis de réglage 2 à 3 fois dans le sens antihoraire afin que la totalité du poids de l'appareil repose sur les pieds de stabilisation.
4. Remettre la grille en place **(A)** et les deux couvre-pieds de stabilisation **(B)**. Voir les marques à l'intérieur de la grille pour assurer le positionnement adéquat.
 - **Enclencher la portion supérieure en place d'abord.** Appuyer sur la partie inférieure de la grille jusqu'à ce qu'elle s'enclenche en place.



5. Lire la **Liste de vérification** figurant dans le manuel du propriétaire avec le client.

Liste de contrôle d'installation

Cette liste de contrôle d'installation est présentée pour usage personnel seulement.

Client Installateur

- | | | |
|--|--------------------------|---|
| <input type="checkbox"/> | <input type="checkbox"/> | Portes
Les poignées sont solidement fixées aux portes. |
| <input type="checkbox"/> | <input type="checkbox"/> | Le côté de la poignée de porte est $\frac{1}{8}$ po (3 mm) plus élevé que le côté de la charnière de la porte. (La porte s'abaisse lorsqu'elle est remplie de nourriture.) |
| <input type="checkbox"/> | <input type="checkbox"/> | Les portes sont bien scellées au meuble du réfrigérateur. |
| Mise à niveau | | |
| <input type="checkbox"/> | <input type="checkbox"/> | Le réfrigérateur est incliné de $\frac{1}{4}$ po (6 mm) de l'avant vers l'arrière et le pied de stabilisation est appuyé fermement contre le plancher. |
| <input type="checkbox"/> | <input type="checkbox"/> | La grille est bien fixée au réfrigérateur. |
| Appareil à glaçons | | |
| <input type="checkbox"/> | <input type="checkbox"/> | L'alimentation en eau du réfrigérateur fonctionne. |
| <input type="checkbox"/> | <input type="checkbox"/> | Aucune fuite n'est présente dans le raccord entre l'alimentation en eau de la maison et le réfrigérateur. (Après 24 heures, le propriétaire doit vérifier qu'il n'y a pas de fuite dans le raccord.) |
| <input type="checkbox"/> | <input type="checkbox"/> | Le bras de l'appareil à glaçons est en position « on » (marche). Celui-ci est donc prêt à fabriquer des glaçons. (La fabrication du premier lot de glace peut prendre jusqu'à 24 heures.) |
| Documentation concernant le produit | | |
| <input type="checkbox"/> | <input type="checkbox"/> | Le manuel du propriétaire doit comprendre les renseignements suivants : <ul style="list-style-type: none">- carte d'enregistrement de l'appareil- commandes Aliments frais et congelateur- système Chiller Fresh™- bacs à légumes Garden Fresh™- bruits de fonctionnement normaux |

Notes _____

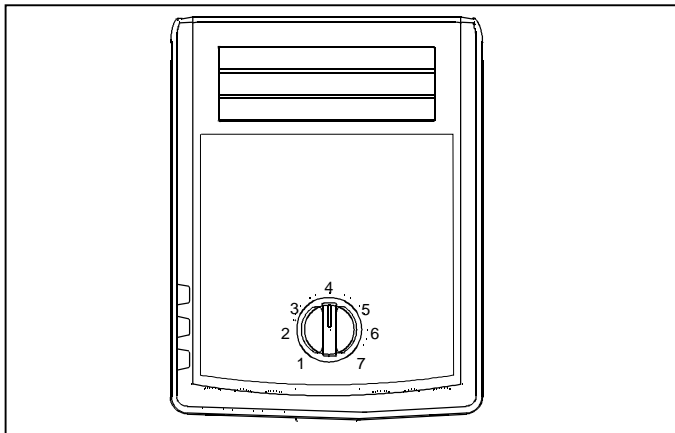
_____ Signature du client	_____ Signature de l'installateur	_____ Nom de l'entreprise de l'installateur/ Numéro de téléphone	_____ Date
------------------------------	--------------------------------------	--	---------------

Commandes

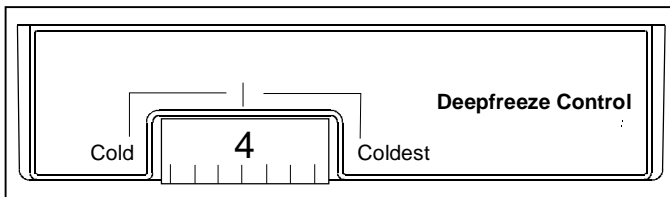
Ce réfrigérateur est conçu pour fonctionner à température ambiante normale à l'intérieur d'une maison, de 55 ° à 110 ° F (13 ° à 43 ° C).

Thermostats du réfrigérateur et du congélateur

Le thermostat du réfrigérateur se trouve au haut de la paroi arrière du compartiment réfrigérateur.



Le thermostat du congélateur se trouve à l'avant et à gauche du plafond du compartiment congélateur.



Réglage des thermostats

Lorsque le thermostat du congélateur est sur *OFF* (arrêt), ni le compartiment congélateur ni le compartiment réfrigérateur ne fonctionnent. Au départ, régler ces deux thermostats sur 4. Attendre 24 heures que les compartiments réfrigérateur ou congélateur atteignent la température désirée. Après 24 heures, modifier le réglage, d'un chiffre à la fois, s'il y a lieu. Le réglage le moins froid est 1 et le plus froid 7.

Régler les thermostats précisément à l'aide d'un thermomètre ménager dont la température s'échelonne entre -5° et 50° F (-21° et 10° C).

Placer le thermomètre au milieu des aliments surgelés dans le compartiment congélateur. Attendre 5 à 8 heures. Au bout de cette période de temps, s'il n'indique pas une température située entre 0° et 2° F (-17° et -16° C), ajuster le thermostat du congélateur d'un chiffre à la fois en revérifiant la température 5 à 8 heures plus tard.

Placer le thermomètre dans un verre d'eau au milieu du compartiment réfrigérateur. Attendre 5 à 8 heures. Au bout de cette période de temps, s'il n'indique pas une température située entre 38 ° et 40 ° F (3 ° et 4 ° C), ajuster le thermostat du réfrigérateur d'un chiffre à la fois en revérifiant la température 5 à 8 heures plus tard.

Composants du réfrigérateur

Tablettes du réfrigérateur

Les tablettes sont réglables en fonction des besoins de rangement. Certains modèles sont équipés de tablettes coulissantes et de tablettes qui retiennent les liquides qui débordent pour en faciliter le nettoyage.



ATTENTION

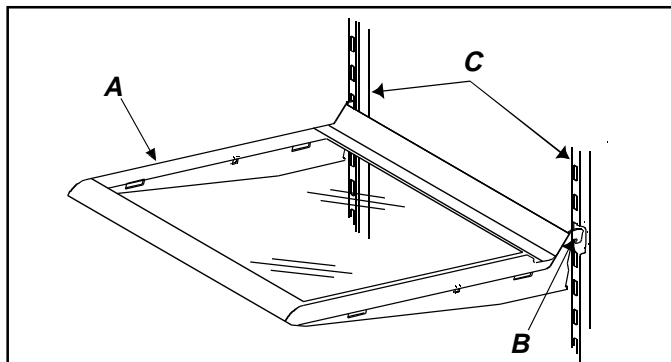
S'assurer que la tablette est stable avant d'y placer des articles afin d'éviter des dégâts.



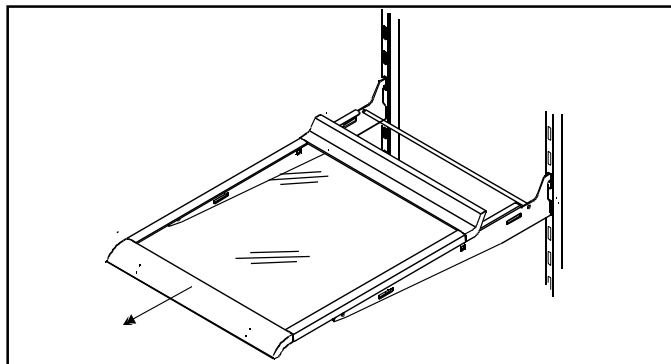
ATTENTION

Pour éviter tous dommages matériels ou blessures, manipuler les tablettes en verre trempé avec prudence. Celles-ci peuvent se briser brusquement si elles sont égratignées, ébréchées ou soumises à des changements brusques de température.

- Pour enlever les tablettes (**A**) en soulever l'avant et décrocher les crochets (**B**) de la crémaillère métallique (**C**), puis tirer.
- Pour remettre les tablettes en place, insérer les crochets sur la crémaillère métallique et abaisser l'avant.



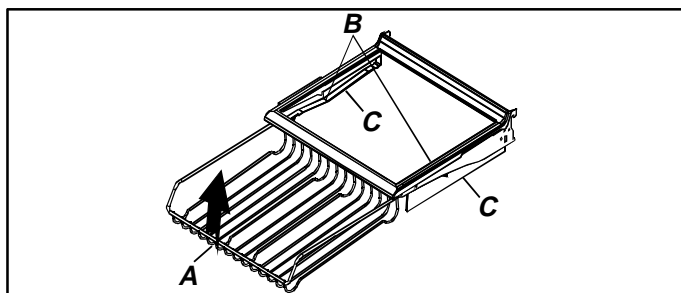
Les tablettes coulissantes peuvent être tirées comme un tiroir pour faciliter l'accès aux articles qui se trouvent à l'arrière.



Range-bouteilles (certains modèles)

Le porte-bouteilles glisse à partir du dessous de la tablette coulissante. Il peut contenir 12 cannettes ou autres boissons.

- Avant d'enlever le porte-bouteilles, vider son contenu.
- Retirer le porte-bouteilles (A) en le tirant vers l'avant jusqu'à ce qu'il s'enclenche dans les rainures (B) des crémaillères (C). Soulever le porte-bouteilles vers l'avant et tirer.
- Pour remettre le porte-bouteilles en place, guider le porte-bouteilles (A) dans les crémaillères de la tablette (C) jusqu'à ce que le mouvement avant soit arrêté par la rainure (B). Soulever le porte-bouteilles vers l'avant et le faire glisser vers l'arrière de l'appareil.



Tiroir réglable Deli Drawer™ (sur certains modèles)

- Enlever le tiroir et le manchon en le tirant et le soulevant. Consulter la rubrique « Clayettes Spillsaver™ » pour connaître les consignes de retrait et de remise en place de la clayette.
- Pour enlever le bac, le soulever et tirer vers soi.
- Remettre le tiroir en place en le faisant glisser dans l'espace prévu à cette fin.

Bacs à légumes Garden Fresh™ (sur certains modèles)

Les bacs à légumes Garden Fresh™ gardent les légumes frais plus longtemps. Bien emballer les légumes. Ne pas les laver avant de les placer dans les bacs. L'humidité excessive peut faire en sorte que les légumes se gâtent prématurément. Ne pas étendre d'essuie-tout dans le fond des bacs car cela retient l'humidité.

La commande des bacs à légumes Garden Fresh™ se trouve sous les moulures avant de la clayette. La commande permet de régler le taux d'humidité dans les tiroirs des bacs à légumes. Faire glisser la commande à *high* (élevé) pour les légumes feuillus tels que la laitue, les épinards ou le chou. Faire glisser la commande à *low* (faible) pour les légumes à peau tels que le chou-fleur, le maïs ou les tomates.

Retrait ou nettoyage du bac à légumes dans les appareils de 33 po :

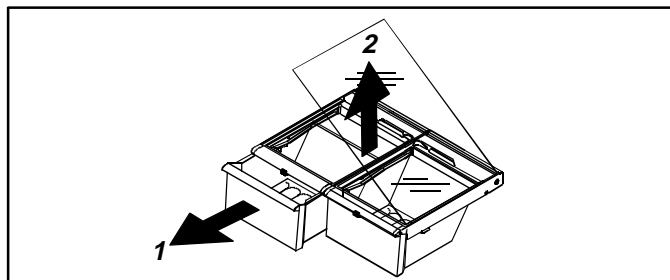
1. Retirer le bac à légumes se trouvant du côté de la poignée de l'appareil.



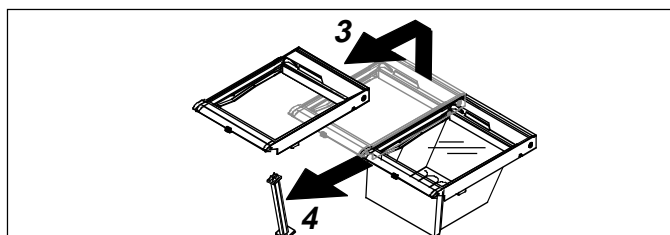
ATTENTION

Manipuler les tablettes en verre trempé avec soin pour éviter toutes blessures ou dégâts matériels. Les tablettes peuvent se briser soudainement si elles sont ébréchées, égratignées ou exposées à des changements soudains de température.

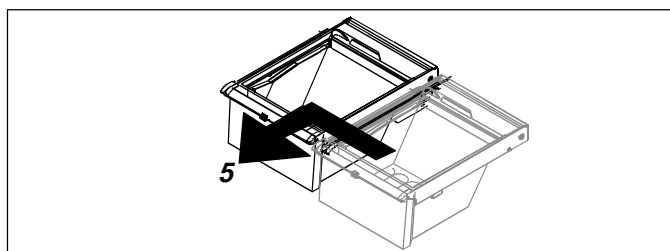
2. Retirer le dessus en verre du bac à légumes en le poussant doucement par en dessous. Incliner une extrémité vers le haut et tirer.



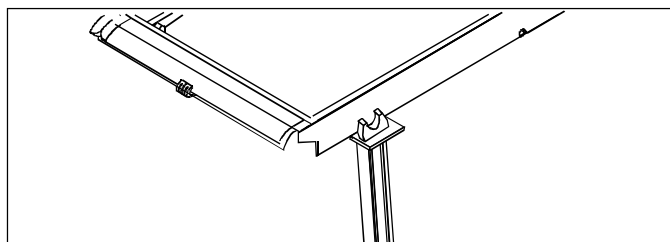
3. Soulever l'avant de la structure du bac à légumes et retirer celui-ci.
4. Soulever l'avant de l'autre partie du bac à légumes et retirer la tige de soutien du centre du plancher du réfrigérateur.



5. Pour éviter toute obstruction avec la porte, déplacer l'avant du bac à légumes vers la paroi opposée et retirer le bac.



6. Pour remettre les bacs à légumes et les tablettes en place, répéter les étapes 2 à 5 dans l'ordre inverse. **Remarque** : s'assurer que la structure du bac à légumes est bien insérée dans l'encoche de la partie supérieure de la tige de soutien lors de la remise en place du bac à légumes.



7. Faire glisser le dessus en verre du bac à légumes en place.

Retrait ou nettoyage du bac à légumes des appareils de 30 po :

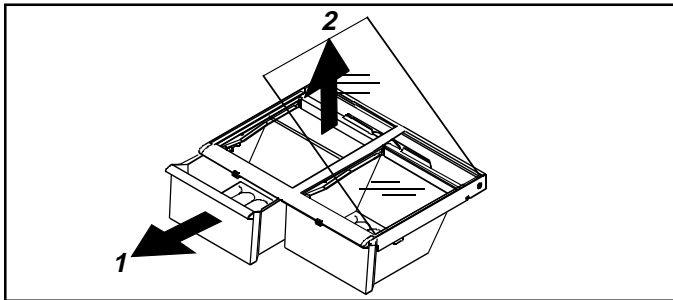
1. Ouvrir la porte du réfrigérateur aussi grand que possible et retirer les bacs à légumes.



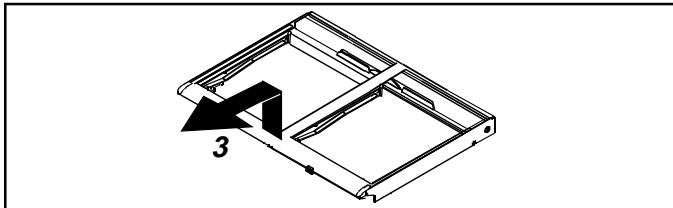
ATTENTION

Manipuler les tablettes en verre trempé avec soin pour éviter toutes blessures ou dégâts matériels. Les tablettes peuvent se briser soudainement si elles sont ébréchées, égratignées ou exposées à des changements soudains de température.

2. Retirer le dessus en verre en le poussant doucement à partir d'en dessous. Incliner une extrémité et tirer.



3. Soulever l'avant de la structure du bac à légumes hors de la crémaillère et le tirer hors de l'appareil.



4. Remettre les bacs à légumes et les tablettes en place en répétant les étapes 2 et 3 dans l'ordre inverse.
5. Faire glisser le dessus en verre du bac à légumes en place.

Système Chiller Fresh™ (sur certains modèles)

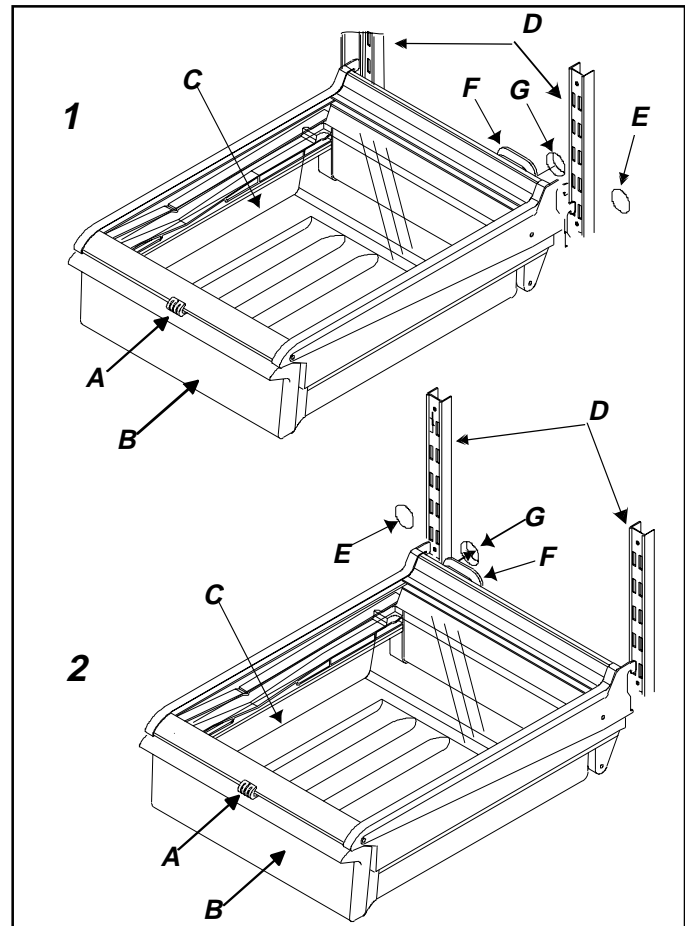
Le système Chiller Fresh™ se compose d'un tiroir entouré d'un manchon. De l'air circule entre le tiroir et le manchon, gardant ainsi les aliments frais plus longtemps et à une température jusqu'à 5° F (3° C) plus froide que dans le reste du réfrigérateur.

Le thermostat du Chiller Fresh™ se trouve sous la moulure avant de la tablette. Celui-ci contrôle la quantité d'air froid qui circule autour du bac. Coulisser le thermostat sur "COLD" (froid) pour que la température soit équivalente à la température normale du compartiment réfrigérateur et sur "COLDER" (plus froid) pour une température plus froide. Des cristaux de glace peuvent se former dans le bac sur le réglage "COLDER". L'air froid qui circule autour du bac peut également changer la température du compartiment réfrigérateur, dont le thermostat peut devoir être modifié.

Le Chiller Fresh™ avec thermostat peut être déplacé de gauche à droite dans le réfrigérateur pour satisfaire aux besoins de rangement. Procéder comme suit pour déplacer le bac :

Pour installer sur le côté gauche, voir la figure 1. Pour installer sur le côté droit, voir la figure 2.

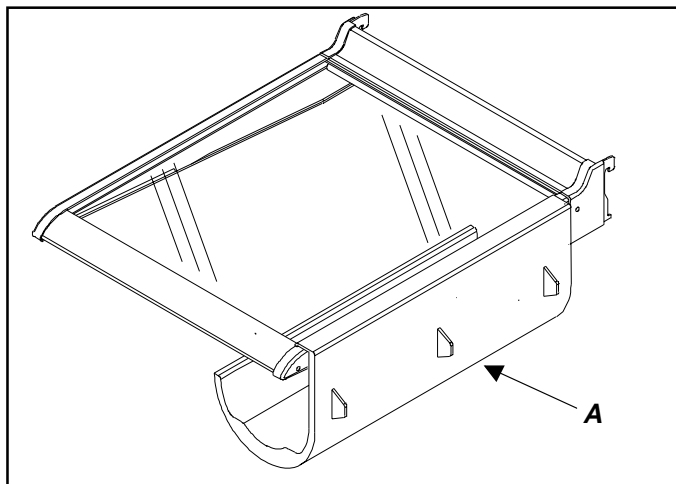
1. Pour enlever le bac, le soulever et tirer vers soi. Retirer la tablette en soulevant l'avant, ce qui la dégage de la crémaillère, puis tirer.
2. Enlever le capuchon en plastique de la paroi arrière du compartiment réfrigérateur en plaçant un couteau recouvert de ruban-masque sous le capuchon et en faisant levier vers l'avant.
3. Faire pivoter la gaine de 180° vers le côté opposé.
4. Insérer le capuchon en plastique dans le côté opposé du compartiment réfrigérateur. S'assurer qu'il est bien en place. L'air froid peut faire geler les aliments si le capuchon n'est pas mis en place.
5. Pour remettre la tablette en place, insérer les crochets dans la crémaillère et abaisser l'avant. Utiliser les encoches 4 à 6 uniquement.
6. Pour remettre le bac, le glisser en place. S'assurer que la gaine est bien ajustée sur l'arrivée d'air de la paroi arrière.



Porte-bouteilles (certains modèles)

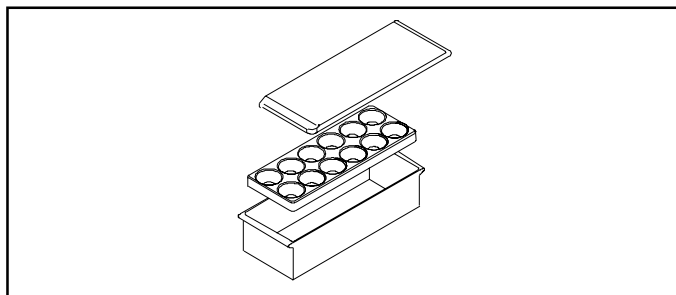
Le porte-bouteille(A) offre un rangement pratique pour les grandes bouteilles, les cartons d'oeufs, etc.

- Pendre le porte-bouteille en le suspendant sur le côté de la tablette.



Bac utilitaire avec couvercle (certains modèles)

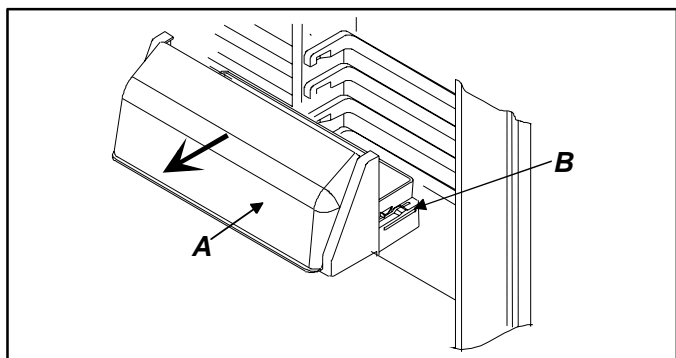
Le bac utilitaire est doté d'un couvercle et comporte un oeufrier amovible. Lorsque l'oeufrier est retiré, le bac peut recevoir des articles tels que carton d'oeufs, glace, etc.



Casier laitier (certains modèles)

Le casier offre un espace de rangement pratique pour les articles tels que le beurre, le fromage, etc.

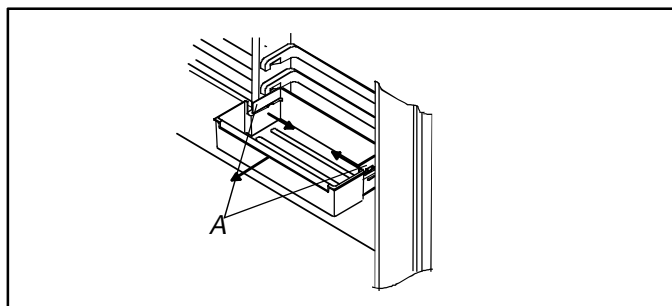
- Pour enlever le casier laitier, soulever la porte(A), pousser les pattes(B) de chaque côté de la tablette vers le bas et tirer.
- Pour remettre le casier laitier en place, le faire coulisser jusqu'à ce que les pattes se bloquent en place, puis abaisser la porte.



Bacs de porte

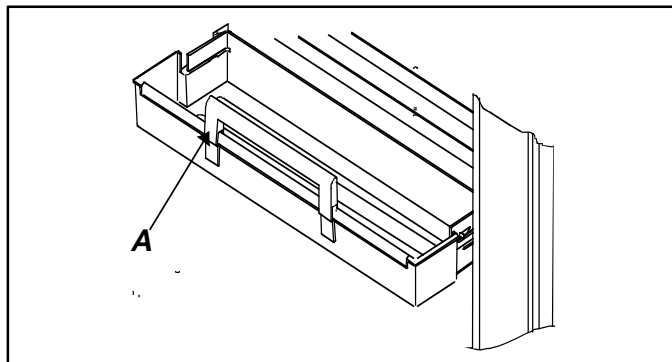
Les bacs sont réglables pour mieux répondre aux besoins individuels de rangement.

- Pour enlever les bacs de porte, pousser les pattes(A) de chaque côté de la tablette vers le centre et tirer vers soi.
- Pour remettre les bacs de porte, les glisser en place jusqu'à ce que les pattes se bloquent.



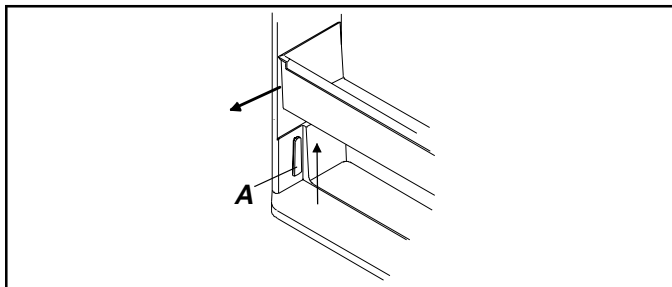
Dispositif de retenue pour articles en hauteur (certains modèles)

Le dispositif de retenue pour articles en hauteur(A) empêche les objets longs ou en hauteur de tomber. Le dispositif de retenue s'ajuste sur le rebord avant de toute clayette de porte de réfrigérateur.



Balconnets de porte

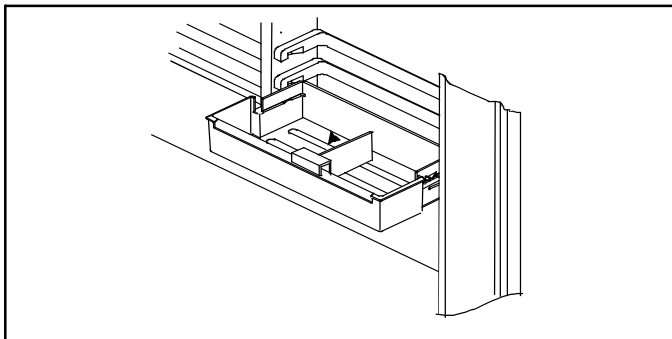
- Pour enlever les balconnets, soulever les extrémités et tirer.
- Pour remettre les balconnets en place, les emboîter sur le guide (A) et les abaisser.



Composants du congélateur

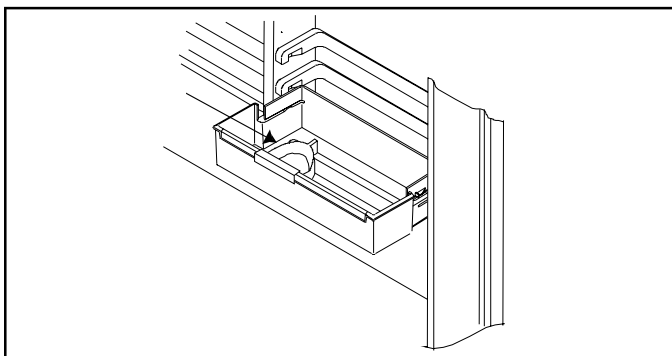
Séparateur réglable (certains modèles)

Le séparateur réglable garde les articles en place et peut être déplacé en fonction des besoins. Le séparateur réglable peut s'utiliser dans tous les bacs et les balconnets de porte.



Stabilisateur de bouteilles (certains modèles)

Le stabilisateur garde les articles en place et il est réglable pour mieux répondre aux besoins de rangement individuels. Il peut s'utiliser dans tous les bacs et les balconnets de porte.

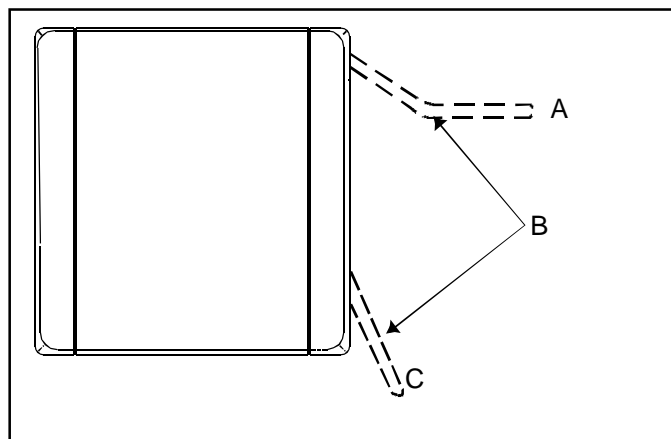


Système auto-dégivrant

Aucune accumulation de glace ne peut se produire dans les compartiments réfrigérateur et congélateur. Le dégivrage est automatique et, dans des conditions d'utilisation normale, les compartiments réfrigérateur et congélateur n'auront jamais besoin d'être dégivrés.

Appareil à glace (certains modèles)

- Vérifier que le bac à glace est bien en place et que le bras-levier de l'appareil à glace est abaissé.



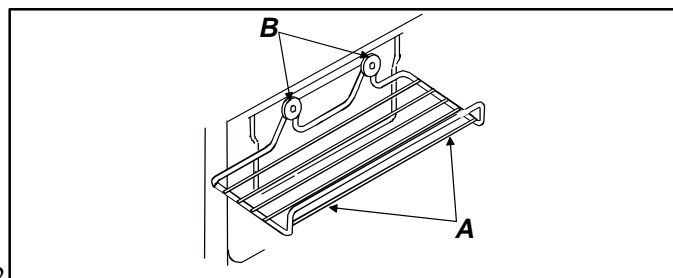
- Après que le compartiment congélateur a atteint sa température normale, la machine à glace se remplit d'eau et commence à fonctionner. Pour une production de glace optimum, il est recommandé que le compartiment congélateur soit au moins à moitié plein. Attendre 24 à 48 heures après l'installation avant le premier lot de glace. La machine à glace produit 7 à 9 lots de glace dans une période de 24 heures dans des conditions idéales.
- Une fois les cubes de glace formés, l'appareil les verse dans le bac à glace. Au fur et à mesure que le bac à glace se remplit, le bras-levier (B) de l'appareil se lève. Quand le bac à glace est plein, le bras-levier de l'appareil arrête la production (A) de cubes de glace..

Remarque : Jeter les trois premiers lots de cubes de glace pour éviter la consommation d'impuretés qui ont pu rester dans la conduite après sa pose.

- Pour arrêter la production automatique de glace, soulever le bras-levier (A). Un "clic" se fait entendre quand la position voulue est atteinte. Le bras-levier de l'appareil à glace reste alors dans cette position jusqu'à ce qu'on l'abaisse.

Grille utilitaire à glaçons (certains modèles)

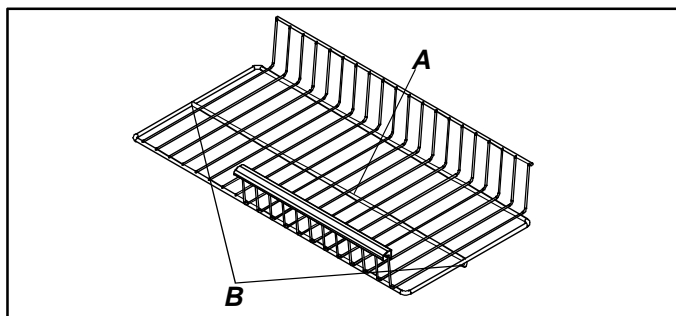
Pour installer la grille utilitaire (A) procéder comme suit en utilisant un tournevis cruciforme (B).



Tablette coulissante (certains modèles)

Les tablettes coulissantes se tirent vers l'avant pour faciliter l'accès aux articles placés à l'arrière.

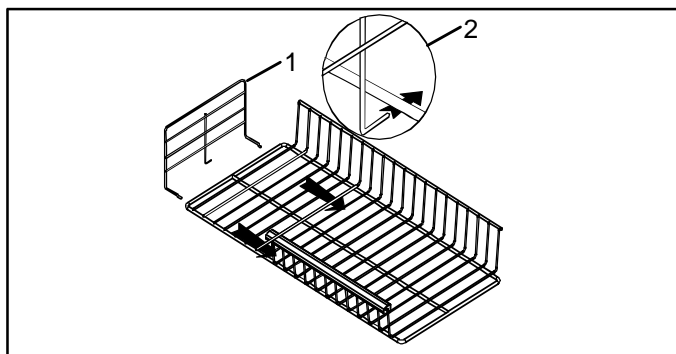
- Retirer la tablette coulissante en la faisant glisser vers l'avant jusqu'à ce que la pointe ronde (B) se trouvant sous la crémaillère centrale (A) s'enclenche dans la rainure de moulage.
- Saisir la tablette par la crémaillère centrale, la soulever, puis la retirer.
- Faire glisser la tablette jusqu'à ce que la pointe ronde se place dans la rainure de moulage.



Séparateur de tablette vertical (certains modèles)

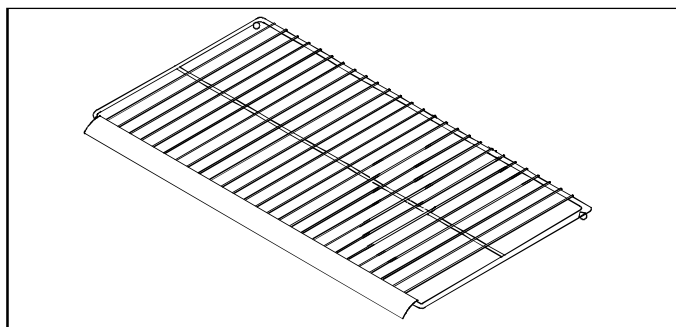
Procéder comme suit pour poser le séparateur de tablette vertical:

1. Faire glisser les pointes du séparateur de tablette sous la grille désirée, légèrement à l'extérieur de l'axe de la crémaillère centrale.
2. Appuyer sur le dessus du séparateur et faire glisser le crochet sous la crémaillère centrale.



Clayette métallique (certains modèles)

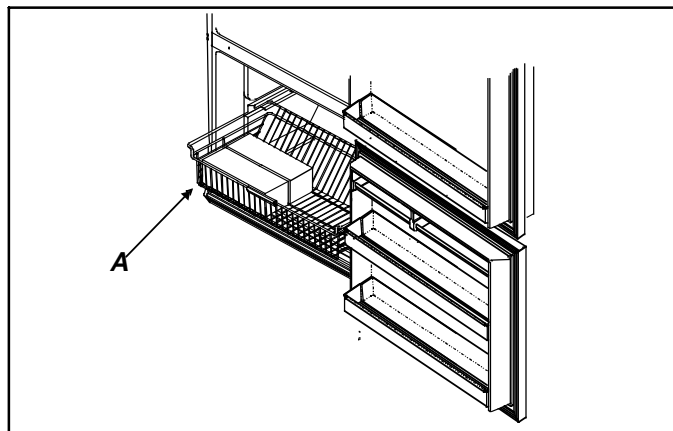
- Pour enlever la clayette métallique, tirer vers soi. Donner un coup sec si nécessaire.
- Pour remettre la clayette métallique en place, la faire coulisser vers l'arrière jusqu'à ce qu'elle se bloque place.



Panier métallique

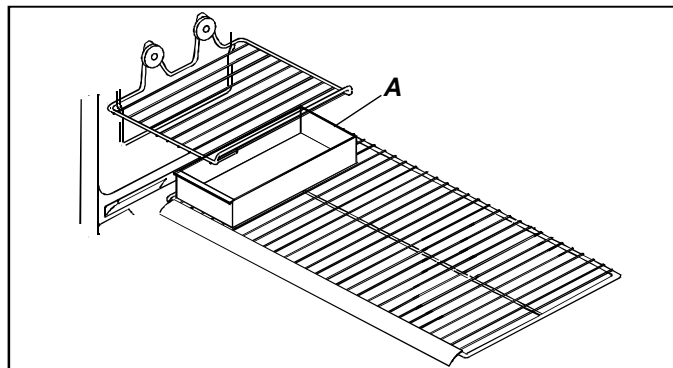
Les paniers métalliques (A) peuvent être tirés comme des tiroirs pour faciliter l'accès aux articles se trouvant vers l'arrière du compartiment.

- Pour enlever les paniers, les soulever et tirer.
- Pour remettre les paniers, les glisser en place.



Bac à glace (certains modèles)

La bac à glace (A) se trouve sous la grille utilitaire, sur la clayette métallique du congélateur.



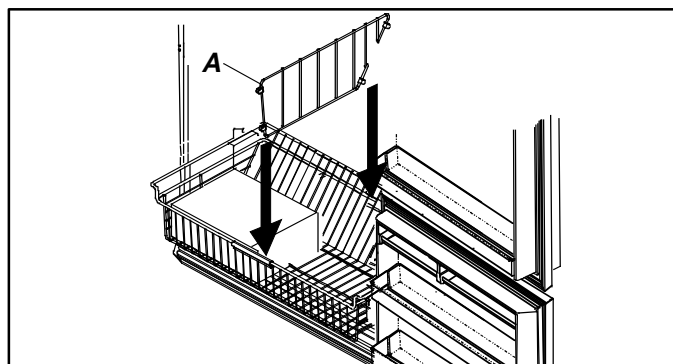
Séparateur de bac vertical (certains modèles)

Procéder comme suit pour installer le séparateur de bac vertical (A):

1. Faire glisser les pointes du séparateur de clayette sous la grille désirée, en les décentrant légèrement de la glissière centrale.
2. Appuyer sur le dessus du séparateur jusqu'à ce que celui-ci atteigne le fond du bac.

Pour retirer le séparateur:

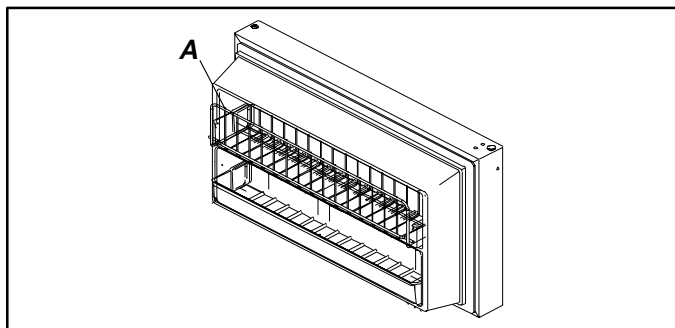
1. Saisir le dessus du séparateur et le tirer vers le haut.



Entretien et nettoyage

Bac inclinable (certains modèles)

Le bac inclinable (A) est pratique pour le rangement d'aliments dans la porte du congélateur. Il bascule vers l'avant pour faciliter l'accès à son contenu.



Tiroirs coulissants (certains modèles)

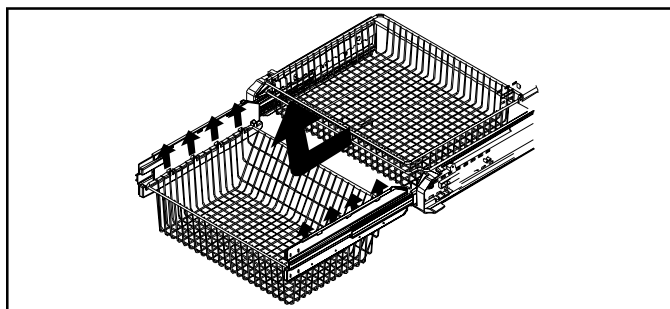
(La porte du tiroir n'apparaît pas dans l'illustration pour fins de clarté visuelle.)

Les tiroirs coulissants ne sont disponibles que sur les modèles à tiroir de congélateur coulissant. Retrait et remise en place du panier supérieur :

- Retirer le panier en le tirant au complet et en le soulevant.
- Remettre le panier en place en le faisant glisser dans le compartiment supérieur du congélateur.

Retrait et remise en place du panier inférieur :

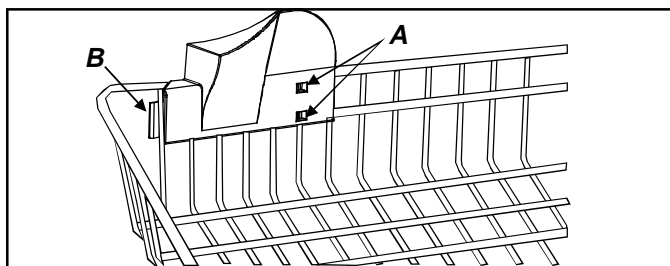
- Retirer le panier en le soulevant des guides des crémaillères.
- Remettre le panier en le plaçant sur les guides des crémaillères.



Anti-givre (certains modèles)

L'anti-givre se trouve à l'arrière du tiroir coulissant pour empêcher la glace de tomber derrière le panier. Pour retirer et remettre en place l'anti-givre.

- Faire glisser l'anti-givre vers la droite pour relâcher les crochets (A) des grilles métalliques verticales.
- Pour le remettre en place, faire glisser l'attache (B) qu'indiqué.



MISE EN GARDE

Pour éviter tout risque d'électrocution pouvant causer des blessures graves voire mortelles, débrancher le réfrigérateur avant de le nettoyer. Une fois le nettoyage effectué, rebrancher l'appareil.



ATTENTION

Pour éviter tous dommages matériels ou blessures, lire et suivre toutes les consignes des fabricant concernant le nettoyage.

Général

La garantie ne couvre pas les dommages causés à la finition en acier inoxydable suite à un usage inadéquat ou non recommandé des produits de nettoyage. Revue *Nettoyage de l'acier inoxydable* pour entretien et nettoyage.

1. Nettoyer les surfaces avec 4 c. à table de bicarbonate de soude dissout dans un litre d'eau tiède et un linge doux et propre.
2. Rincer les surfaces à l'eau tiède et les essuyer avec un linge doux et propre.
 - Ne pas utiliser les articles suivants :
 - produits nettoyants abrasifs ou décapants, ammoniacs, javellisant, etc.
 - détergents ou solvants concentrés
 - tampons à récurer métalliquesCes articles peuvent égratigner, craqueler ou décolorer les surfaces.
 - Ne pas placer les bacs, clayettes, etc. dans le lave-vaisselle.

Nettoyage de l'acier inoxydable

La garantie ne couvre pas les dommages causés à la finition en acier inoxydable suite à un usage inadéquat ou non recommandé des produits de nettoyage.

Pour connaître la liste des produits recommandés par Amana, appeler le service aux consommateurs au 1-800-843-0304.

1. Nettoyer les surfaces avec de l'eau chaude savonneuse et un linge propre et doux ou une éponge.
2. Rincer les surfaces avec de l'eau chaude. Les essuyer avec un linge propre et doux.
 - Ne pas utiliser les produits de nettoyage trop puissants qui suivent :
 - produits de nettoyage acides ou abrasifs (ammoniac, javellisant, produits à base de vinaigre, etc.)
 - produits de nettoyage à base de citron
 - tampons à récurer (métalliques, en plastique texturé, etc.)Ils peuvent égratigner, décolorer ou ternir les surfaces en permanence.
3. Rincer, puis sécher immédiatement avec un linge propre et doux. Cela évitera que l'eau ne fasse des taches sur la finition en acier inoxydable.

Adhésifs

1. Enlever les résidus de colle en frottant l'adhésif avec du dentifrice jusqu'à ce que celui-ci se décolle.
2. Rincer les surfaces à l'eau tiède. Essuyer la surface avec un linge doux et propre.

Joint de porte

1. Nettoyer les joints de porte tous les 3 mois conformément aux instructions de la section "Général".

Bobine de condensateur

Nettoyer la bobine de condensateur tous les 3 mois afin d'assurer un rendement maximum du réfrigérateur. La poussière accumulée et les peluches peuvent entraîner les problèmes suivants :

- refroidissement moins efficace
 - consommation d'énergie plus élevée
 - défaillance de pièce prématurée
1. Enlever la grille en tenant les extrémités et en tirant vers l'avant.
 2. Nettoyer la surface avant de la bobine du condensateur avec le suceur d'un boyau d'aspirateur.
 3. Replacer la grille en insérant les attaches dans les trous et en les mettant en place avec un claquement.
 4. Soulever le pied de stabilisation (sur certains modèles) en le tournant dans le sens antihoraire.



ATTENTION

Pour éviter tous dégâts matériels, recouvrir le plancher en vinyle mou ou tout autre type de plancher avec du carton, des tapis ou autre matériel de protection.

Clayettes en verre



ATTENTION

Pour éviter tous dégâts matériels ou toutes blessures corporelles, manipuler les clayettes en verre trempé avec soin. Celles-ci peuvent casser soudainement si elles sont entaillées, égratignées ou exposées à un changement soudain de température.

Enlever la clayette en soulevant le devant, en relâchant les crochets de la tringle en métal, puis en tirant. Placer la clayette sur une serviette. La laisser s'adapter à la température ambiante avant de procéder au nettoyage.

Nettoyer les fentes en suivant ces étapes:

1. Diluer un détergent doux et appliquer la solution à l'intérieur des fentes en brossant celles-ci à l'aide d'une à poils en plastique. Laisser pénétrer durant 5 minutes.
2. Vaporiser de l'eau tiède à l'intérieur des fentes à l'aide d'un vaporisateur conçu à cet effet.
3. Sécher la clayette à fond et replacer celle-ci en insérant les crochets dans la tringle en métal et en rabaisant le devant.

Suppression des odeurs

1. Enlever toute la nourriture et débrancher le réfrigérateur.
2. Nettoyer toutes les surfaces intérieures, notamment la partie supérieure, la partie inférieure et les parois conformément aux instructions « générales ». Porter une attention spéciale aux coins, fissures et rainures, de même qu'aux tiroirs, clayettes et joints.

3. Nettoyer et essuyer toutes les bouteilles, tous les contenants et les pots avant de remettre la nourriture dans le réfrigérateur. Emballer la nourriture dans des récipients scellés hermétiquement afin de prévenir l'émanation d'odeurs. Après 24 heures, vérifier si l'odeur persiste toujours.

Si l'odeur persiste, procéder de la façon suivante:

4. Recommencer les étapes 1 et 2.
5. Placer les légumes croquants du jardin sur la clayette supérieure du compartiment Aliments frais. Recouvrir les compartiments Aliments frais et congélateur, notamment les portes, avec des feuilles de papier journal noir et blanc chiffonnées.
6. Disposer les briquettes de charbon de bois un peu partout sur le papier journal.
7. Fermer les portes et laisser en place durant 24 à 48 heures.
8. Enlever les briquettes de charbon de bois et les journaux.
9. Recommencer les étapes 2 et 3.

Contactez le service à la clientèle si l'odeur persiste toujours. Consulter la section "Identification du modèle" pour connaître le numéro de téléphone.

Remplacement des ampoules électriques



MISE EN GARDE

Pour éviter des blessures graves ou le décès par électrocution, débrancher le réfrigérateur avant de remplacer l'ampoule. Une fois l'ampoule remplacée, rebrancher le réfrigérateur.



ATTENTION

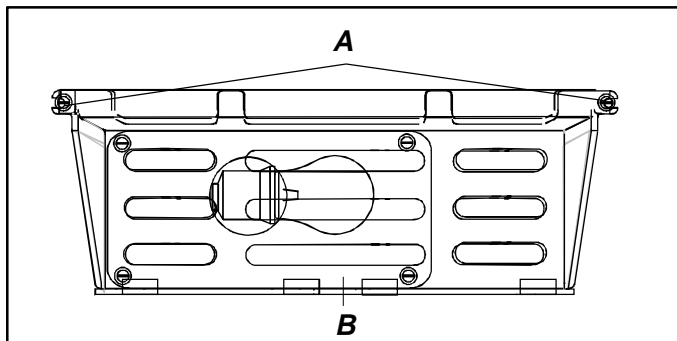
Pour éviter tous dommages matériels ou blessures, procéder comme suit:

- Laisser l'ampoule refroidir.
- Porter des gants pour remplacer l'ampoule.

Conseils pour les vacances

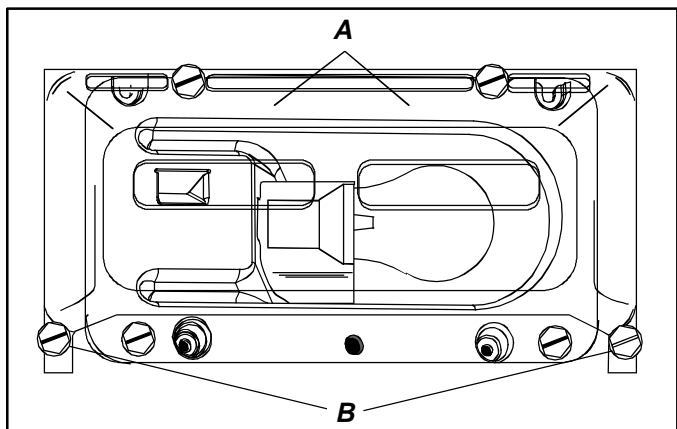
Ampoules électrique de réfrigérateur

- Retirer le couvre-ampoule (**B**) en enlevant les vis à tête hexagonale de $\frac{1}{4}$ po (6 mm) (**A**). Remplacer par une ampoule n'excédant pas 60 watts.
- Remettre le couvre-ampoule en place en remettant les vis à tête hexagonale de $\frac{1}{4}$ po (6 mm) en place.



Ampoules électrique de congélateur

- Retirer le couvre-ampoule (**B**) en enlevant les vis à tête hexagonale de $\frac{1}{4}$ po (6 mm) (**A**). Remplacer par une ampoule n'excédant pas 60 watts.
- Remettre le couvre-ampoule en place en remettant les vis à tête hexagonale de $\frac{1}{4}$ po (6 mm) en place.



Pour les vacances de courte durée, procéder comme suit:

1. Enlever les denrées périssables.
2. Si le réfrigérateur est équipé d'un appareil à glace, placer le bras-levier en position *off* (*position d'arrêt*). (Voir la partie "Appareil à glace".)

Pour les vacances de longue durée, procéder comme suit:

1. Enlever les aliments des compartiments congélateur et réfrigérateur.
2. Débrancher l'appareil.
3. Nettoyer l'appareil, joints compris, en suivant les indications générales fournies dans la section "Entretien" du manuel.
4. Ouvrir et bloquer les portes de façon à ce que l'air circule à l'intérieur des compartiments.
5. Si le réfrigérateur est équipé d'un appareil à glace, couper l'alimentation en eau à l'appareil et mettre le bras-levier en position *off* (*arrêt*). (Voir la partie "Appareil à glace".)

Conseils pour des économies d'énergie

Ce réfrigérateur est conçu pour être l'un des plus économes en énergie qui existent. Pour réduire encore la consommation d'électricité, observer les consignes suivantes:

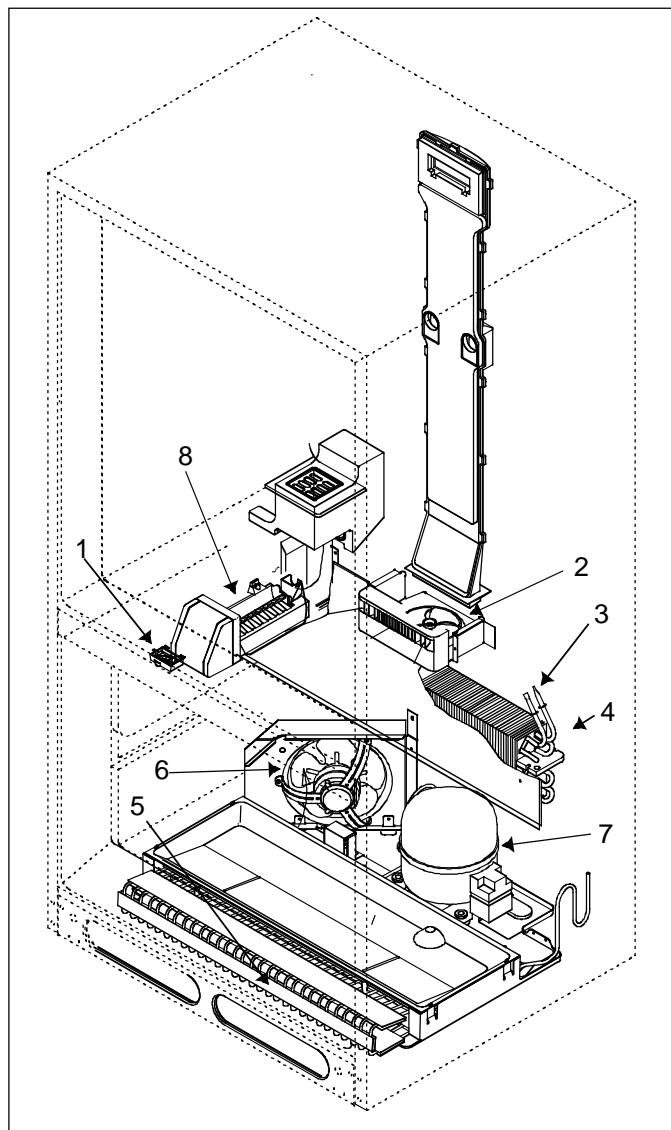
- Faire fonctionner le réfrigérateur à température normale, de 55° à 110° F (13° à 43° C), loin de toute source de chaleur ou de la lumière directe du soleil.
- Régler le thermostat des compartiments congélateur et réfrigérateur et du bac à viande à température contrôlée sur un réglage qui ne soit pas à une température plus froide que nécessaire.
- Garder le compartiment congélateur plein.
- Garder les joints des portes propres et souples. Les remplacer s'ils sont usés.
- Garder les serpentins du condenseur propres.

Bruits normaux

Ce réfrigérateur peut remplacer un modèle d'une conception différente, à plus grande consommation en électricité ou plus petit. Les réfrigérateurs actuels sont dotés de nouveaux composants et de nouvelles fonctions et ils consomment moins d'électricité. Il en résulte qu'ils peuvent produire des bruits qui ne vous sont pas familiers. Ces bruits sont normaux et vous seront rapidement familiers. Ils indiquent également que le réfrigérateur est en marche et qu'il fonctionne comme prévu.

1. **Le thermostat du congélateur** produit un "clic" lors de la mise en marche et de l'arrêt du compresseur.
2. **Le ventilateur du congélateur** ronronne et l'air brassé produit un certain bruit.
3. **Le système de réfrigération scellé** (évaporateur/ échangeur de chaleur) contient du liquide réfrigérant qui fait différents bruits de liquide, y compris celui de l'eau qui bout.
4. **La résistance de dégivrage** grésille, siffle ou produit des claquements.
5. **La minuterie du dégivrage** produit un bruit de minuterie et des déclics relativement bruyants lorsqu'elle enclenche ou arrête le cycle de dégivrage.
6. **Le ventilateur du condenseur** ronronne et l'air brassé produit un certain bruit.
7. **Le compresseur** produit un ronronnement aigu ou des bruits de pulsations. Il s'arrête et redémarre.
8. **Les cubes de glace** de l'appareil à glace (certains modèles) tombent dans le bac à glace.
9. **L'électrovanne de l'appareil à glace** (certains modèles) produit un ronronnement lorsque l'appareil à glace se remplit d'eau. Ce bruit se produit que le réfrigérateur soit relié à l'alimentation en eau ou non. Si le réfrigérateur n'est pas relié à l'alimentation en eau, arrêter le bruit en levant le bras-levier de l'appareil à glace en position "off" (arrêt). Le raccordement de l'électrovanne se trouve derrière le ventilateur du condenseur, à l'arrière du réfrigérateur.

Remarque : La mousse est un excellent isolant sur le plan thermique et de la consommation d'électricité. Ce n'est cependant pas un isolant acoustique aussi efficace que la fibre de verre, qui était utilisée auparavant dans les réfrigérateurs.



Avant d'appeler le service de dépannage

Problème	Solution
Le réfrigérateur ne fonctionne pas.	<ul style="list-style-type: none"> • Vérifier que le thermostat du compartiment congélateur est sur un réglage de marche. • Vérifier que le réfrigérateur est branché. S'il ne l'est pas, brancher fermement le cordon dans une prise sous tension de la tension qui convient. • Vérifier le fusible ou le disjoncteur. Brancher un autre appareil dans la prise murale. S'il ne fonctionne pas, remplacer le fusible ou réenclencher le disjoncteur. • Si le thermostat est sur un réglage de marche, que la lumière s'allume mais que les deux ventilateurs et le compresseur ne fonctionnent pas, il se peut que le réfrigérateur soit en cycle de dégivrage. Attendre 40 minutes et vérifier si le réfrigérateur s'est remis en marche.
Le réfrigérateur ne fonctionne toujours pas.	<ul style="list-style-type: none"> • Débrancher le réfrigérateur. Transférer son contenu dans un autre réfrigérateur ou mettre de la glace carbonique dans le compartiment congélateur pour protéger la nourriture. Appeler le service de dépannage.
Les denrées ne semblent pas assez froides.	<ul style="list-style-type: none"> • Voir les points ci-dessus. • Laisser à l'appareil suffisamment de temps pour que les aliments non froids récemment ajoutés puissent atteindre la température voulue dans les compartiments réfrigérateur ou congélateur. L'ajout de nourriture augmente la température dans le réfrigérateur et celui-ci peut prendre quelques heures avant de revenir à sa température de fonctionnement normale. • Vérifier que les joints assurent la fermeture hermétique des portes. • Nettoyer le serpentin du condenseur. Voir sous "Serpentins du condenseur" dans la partie "Entretien". • Ajuster le thermostat des compartiments réfrigérateur et congélateur. Voir sous "Réglage des thermostats" dans la partie "Commandes". • La lumière du compartiment réfrigérateur ou congélateur reste allumée. Le cas échéant, retirer l'ampoule et appeler le service après-vente. • Les orifices de ventilation sont bloqués, ce qui réduit la circulation d'air. Les localiser en passant la main pour sentir d'où l'air vient et déplacer les paquets qui bloquent les orifices de ventilation et ainsi la circulation d'air.
Le système Chiller Fresh™ à température contrôlée est à une température insuffisamment froide.	<ul style="list-style-type: none"> • Mettre le thermostat sur un réglage plus froid. • Mettre le thermostat du compartiment congélateur sur un réglage plus froid. Voir sous "Réglage des thermostats" dans la partie "Commandes". • Vérifier que le couvercle du système Chiller Fresh™ avec thermostat a été déplacé de gauche à droite dans le réfrigérateur. Voir la rubrique "Le système Chiller Fresh™ avec thermostat".
Les denrées sont trop froides.	<ul style="list-style-type: none"> • Nettoyer le serpentin du condenseur. Voir sous "Serpentins du condenseur" dans la partie "Entretien". • Ajuster le thermostat du compartiment réfrigérateur. Voir sous "Réglage des thermostats" dans la partie "Commandes". • Mettre le thermostat du compartiment congélateur sur un réglage moins froid. Voir sous "Réglage des thermostats" dans la partie "Commandes". Attendre plusieurs heures que la température se stabilise. • Vérifier que le couvercle du système Chiller Fresh™ avec thermostat a été déplacé de gauche à droite dans le réfrigérateur. Voir la rubrique "Le système Chiller Fresh™ avec thermostat".
Le réfrigérateur se met en marche trop fréquemment.	<ul style="list-style-type: none"> • Cela peut être nécessaire pour maintenir la température au niveau désiré. • Les portes ont pu être ouvertes trop souvent ou trop longtemps. Lorsque la porte est ouverte, l'air chaud et humide pénètre dans le réfrigérateur. Plus la porte est ouverte, plus le réfrigérateur a d'air chaud à refroidir. • Laisser à l'appareil suffisamment de temps pour que des aliments non froids récemment ajoutés puissent atteindre la température voulue dans les compartiments réfrigérateur ou congélateur. Il peut falloir plusieurs heures avant que le réfrigérateur ne retourne à sa température normale. • Nettoyer le serpentin du condenseur. Voir sous "Serpentins du condenseur" dans la partie "Entretien". • Ajuster le thermostat du compartiment congélateur. Voir sous "Réglage des thermostats" dans la partie "Commandes". • Vérifier que les joints assurent la fermeture hermétique des portes. • La lumière du compartiment congélateur reste allumée. • Le cas échéant, retirer l'ampoule et appeler le service après-vente.
Des gouttes d'eau se forment à l'intérieur du réfrigérateur.	<ul style="list-style-type: none"> • Ceci est normal pendant les périodes de forte humidité ou si les portes sont fréquemment ouvertes. • Bien enrober les aliments et essuyer les récipients humides avant de les placer dans le réfrigérateur afin d'éviter toute accumulation d'humidité.
Des gouttes d'eau se forment à l'extérieur du réfrigérateur.	<ul style="list-style-type: none"> • Vérifier que les joints des portes ferment hermétiquement. • Ceci est normal pendant les périodes de forte humidité ou si les portes sont fréquemment ouvertes.
Les tiroirs ne se ferment pas facilement.	<ul style="list-style-type: none"> • Vérifier si un emballage empêche le tiroir de fermer correctement. • S'assurer que le tiroir est en place. • Nettoyer les cannelures du tiroir avec de l'eau tiède savonneuse. Rincer et sécher à fond. • Appliquer une mince couche de gelée de pétrole dans les cannelures du tiroir. • S'assurer que le réfrigérateur est de niveau.
Une odeur persiste dans le réfrigérateur.	<ul style="list-style-type: none"> • Voir les instructions "Suppression des odeurs" dans la section "Entretien et nettoyage".
Le réfrigérateur ou l'appareil à glaçons (sur certains modèles)	<ul style="list-style-type: none"> • Cela est peut-être normal. Voir la section "Bruits de fonctionnement normaux".

Problème	Solution
Les glaçons dégagent une odeur.	<ul style="list-style-type: none"> • Voir les instructions "Enlèvement des odeurs" dans la section "Entretien et nettoyage". • Jeter la glace et nettoyer le seau à glace ou les bacs à glaçons plus fréquemment. Les glaçons sont poreux et absorbent les odeurs facilement. • L'appareil à glace vient d'être installé. Jeter les premiers lots de glace pour éviter des cubes de glace décolorés ou qui ont un goût. • La nourriture n'est pas emballée hermétiquement dans le congélateur ou le réfrigérateur. La réemballer car les odeurs peuvent alors passer dans la glace. • L'alimentation en eau contient des minéraux comme le soufre. Dans certains cas, un filtre pourra devoir être installé sur la conduite pour éliminer les problèmes de mauvais goût et d'odeur.
Les glaçons collent les uns aux autres ou "rétrécissent".	<ul style="list-style-type: none"> • Vider le seau à glace ou les bacs à glaçons plus fréquemment. Si on les laisse trop longtemps dans le congélateur, les glaçons collent les uns aux autres ou rétrécissent.
L'appareil à glaçons (sur certains modèles) ne fabrique pas de glaçons.	<ul style="list-style-type: none"> • La pression de l'eau peut être trop faible ou trop élevée. L'appareil à glace exige une pression de l'alimentation en eau de 20 à 100 psi (138 à 827 kPa) pour fonctionner correctement. • S'assurer que le bras de l'appareil à glaçons est tourné vers le bas. • S'assurer que l'alimentation en eau domestique atteint la soupape d'eau. <ul style="list-style-type: none"> • Un robinet auto-taradeur ou un robinet à étrier de $\frac{3}{16}$ po (5mm) a été utilisé pour le raccordement. L'une comme l'autre réduisent le débit d'eau et peuvent se boucher au fil des années. Les remplacer par un robinet d'arrêt exigeant le percement d'un trou de $\frac{1}{4}$ po (6mm) dans la conduite d'alimentation en eau avant d'y fixer le robinet. • S'assurer que le faisceau de l'appareil à glaçons est complètement inséré dans les trous appropriés. • Vérifier s'il le tuyau de plastique ou de cuivre comporte des entortillements. Défaire les entortillements ou remplacer le tuyau. • Vérifier les raccords électriques de la bobine de soupape d'eau et du bloc de raccordement sur le meuble du réfrigérateur. • S'assurer que la section congélateur fonctionne à la température appropriée.
L'appareil à glace ne produit pas assez de glace.	<ul style="list-style-type: none"> • Il a été installé récemment ou une grande quantité de glace vient d'être utilisée. Attendre 24 heures que la production commence et que la provision de cubes de glace soit reconstituée. • Vérifier que l'alimentation en eau de la maison arrive à l'électrovanne. S'assurer que le robinet d'arrêt est complètement ouvert. • Un robinet auto-taradeur ou un robinet à étrier de $\frac{3}{16}$ po (5mm) a été utilisé pour le raccordement. L'une comme l'autre réduisent le débit d'eau et peuvent se boucher au fil des années. Les remplacer par un robinet d'arrêt exigeant le percement d'un trou de $\frac{1}{4}$ po (6mm) dans la conduite d'alimentation en eau avant d'y fixer le robinet. • Vérifier s'il le tuyau de plastique ou de cuivre comporte des entortillements. Défaire les entortillements ou remplacer le tuyau. • S'assurer que la section congélateur fonctionne à la température appropriée.
De la glace se forme dans la tubulure d'arrivée de l'appareil à glace.	<ul style="list-style-type: none"> • Vérifier la pression de l'eau. Une pression insuffisante provoque des fuites au niveau de l'électrovanne.

Garantie complète d'un an Garantie complète de cinq ans sur les composants du système hermétique et l'habillage du

Première année

Amana Appliances réparera ou remplacera, sans aucun frais, toute pièce s'avérant défectueuse en raison de défauts de matériaux ou vices de fabrication.

Deuxième à cinquième année incluse

Amana Appliances remplacera, sans aucun frais, tout composant du système hermétique (compresseur, condensateur, évaporateur, dryer, et tuyau d'interconnexion) et réparera tout habillage du compartiment pour la nourriture (à l'exception de l'habillage de la porte) venant à être défectueux en raison de défauts de matériaux ou vices de fabrication.

Limites de la garantie

- Commence à la date de l'achat original.
- S'applique à un appareil utilisé aux États-Unis ou au Canada si cet appareil est approuvé par l'Association canadienne de normalisation en quittant l'usine.
- Toute réparation doit être effectuée par un technicien **agréé** par Amana.

La garantie est nulle et non avenue si

- La plaque du numéro de série est illisible.
- L'appareil est utilisé à des fins commerciales ou locatives.
- L'appareil est défectueux ou endommagé en raison d'un accident, d'une altération, d'un raccord à une mauvaise alimentation, d'un incendie, ou d'autres circonstances indépendantes de la volonté d'Amana Appliances.
- L'appareil est utilisé ou installé de façon incorrecte.

Responsabilités du propriétaire

- Fournir une preuve d'achat (récépissé de vente)
- Procéder à l'entretien normal. Remplacer les composants tel qu'indiqué dans le manuel du propriétaire.
- Faciliter l'accès à l'appareil lors des réparations.
- Payer le supplément lorsque le technicien doit procéder à une réparation en dehors des heures d'ouverture normales.
- Payer les frais de visite relativement à l'installation de l'appareil.

En aucun cas Amana Appliances n'est responsable des dommages indirects ou accessoires, notamment la perte de nourriture*.

* Cette garantie vous donne des droits légaux spécifiques et vous pourriez bénéficier d'autres droits qui varient selon l'état ou la province où vous demeurez. Par exemple, certains états ou provinces ne permettant pas l'exclusion ou la limitation des dommages indirects ou accessoires, cette exclusion ne s'applique pas forcément à votre cas.

Amana Appliance L.C.
2800 220th Trail
Amana, IA 52204-0001
1-800-843-0304 ou 1-319-622-5511

